

DATA SHEET

Premium Efficiency Motor: **OW20-12-286T**

60 Hz

WorldWide Electric Corporation

1 (800) 808-2131

Worldwideelectric.net



Document Generated: 8-Feb-2024
Document ID:

Customer:

MOTOR INFORMATION	
HP	20
RPM	1200
Phase	3
Frequency	60 Hz
Voltage	230/460/796
Frame Size	286T
Enclosure	TEFC
Degree of Protection	IP55
Service Factor	1.15
Poles	6
Full Load Speed	1131
Insulation Class	F
Temp Rise	80°C
NEMA Code Letter	N
Duty Cycle	S1 / Continuous
Slip	5.75%
NEMA Design	D
Moment of Inertia	6.2936 lb.ft.^2
Locked Rotor Time (Hot)	12 seconds
Sound Pressure Level	80 dB(A)
Number of Starts	2 Cold/1 Hot
Max Ambient Temperature	40°C
Max Elevation	1000 m.a.s.l (3300 f.a.s.l)
Mounting	F2
Rotation	Bi-Directional
Standard	NEMA MG-1
Approvals	UL, CE

EFFICIENCY/POWER FACTOR		
LOAD	EFF	P. F.
100%	89.9 %	0.82
75%	90.1 %	0.78
50%	89.0 %	0.69

TORQUE			
FULL LOAD	LRT	BDT	PUT
93.4 lb.ft.	337 %	195 %	307 %

AMPERAGE INFORMATION			
	230V	460V	796V
Full Load Amps	51.00	25.50	14.70
Locked Rotor Amps	351.60	175.80	101.50
No Load Current	17.00	8.50	4.91

BEARING INFORMATION	
DE Bearing	6311 C3
ODE Bearing	6310 C3
Grease Type	Mobil Polyrex EM
DE Regreasing Interval	2400 Hours
ODE Regreasing Interval	2400 Hours
Grease Quantity	17g/15g

ADDITIONAL DATA	
F2 Suitable	YES
Shaft Material	1045 Carbon Steel
Connection Diagram	230 / 460 V - 12 Lead Δ
Approximate Weight	451 lbs.
Area of Classification	Class 1 Division 2 Groups A,B,C,D T3B in accordance with NEC

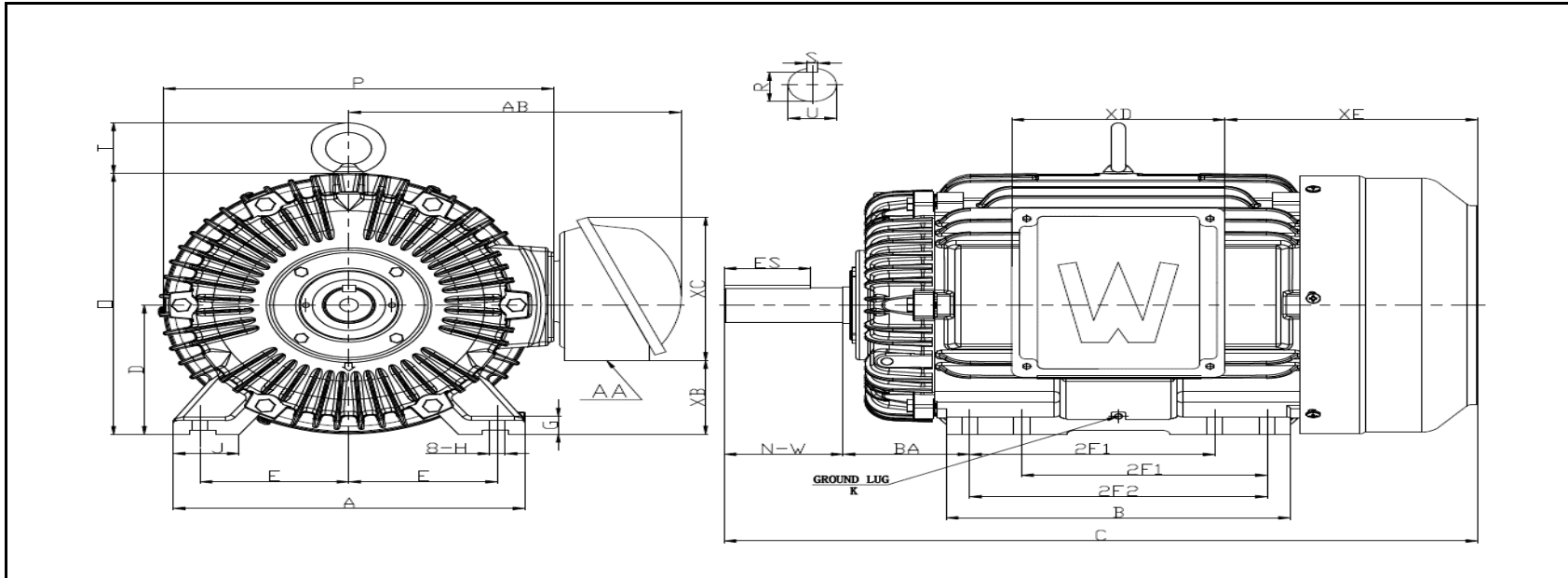
MOTOR DRAWING

Premium Efficiency Motor: **OW20-12-286T**

WorldWide Electric Corporation

1 (800) 808-2131

Worldwideelectric.net



DIMENSION - INCHES

MOUNTING					A	B	C	D	G	J	P	O	T	AB
E	2F1	2F2	H	BA										
5.5	9.5	11	0.53	4.75	13.97	13.18	29.1	7	0.7795	3.07	14.56	14.04	2.42	12.02

SHAFT & KEY					
S	ES	R	N-W	AH	U
0.5	3.28	1.59	4.62	N/A	1.875

TERMINAL BOX				
AA	XB	XC	XD	XE
1-1/2	2.75	8.17	6.85	10.3

GROUND LUG
K
M8

PERFORMANCE CURVES

WorldWide Electric Corporation

1 (800) 808-2131

Worldwideelectric.net



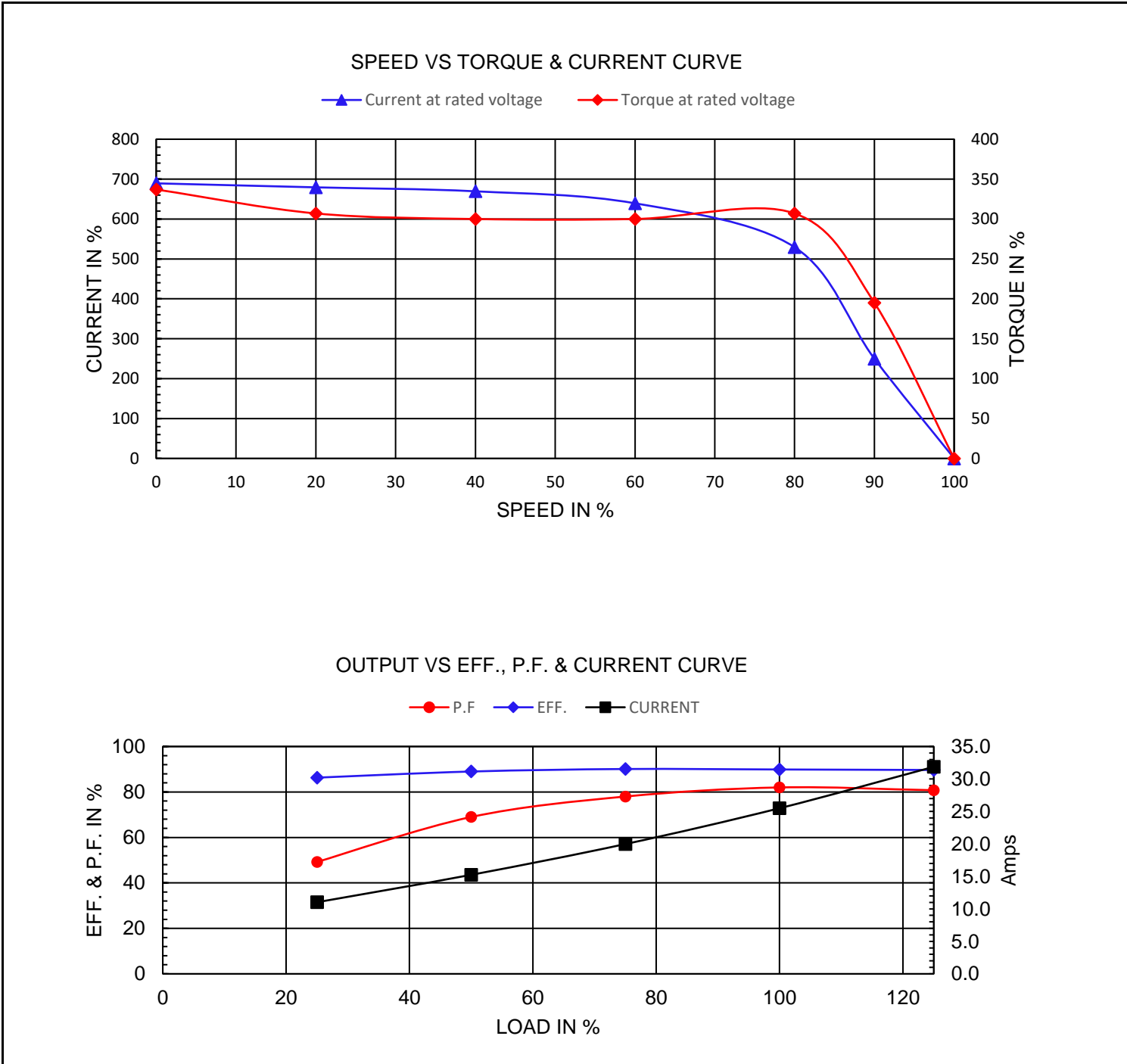
Premium Efficiency Motor:

OW20-12-286T

Document Generated: 8-Feb-2024
Document ID:

Customer:

Motor Type	PEWWE		FL Speed	1131		
Output Rating (HP)	20		LRT (%FLT)	337	460 volt FLA	25.50
Full Load Torque	93.4	lb.ft	BDT (%FLT)	195	230 volt FLA	51.00
Rotor Wk^2	6.2936	lb-ft^2				



NAMEPLATE / WIRING

Premium Efficiency Motor: **OW20-12-286T**

WorldWide Electric Corporation

1 (800) 808-2131

Worldwideelectric.net



Document Generated: 8-Feb-2024	Customer:
Document ID:	

SAMPLE NAMEPLATE DATA

OIL WELL PUMPING 3 PHASE INDUSTRIAL ELECTRIC MOTOR					
Model :	SN :		Code :	<p style="text-align: center;">230 V</p> <p style="text-align: center;">460 V</p> <p style="text-align: center;">796 V Y Connection For Starting Only</p>	Made in China
HP :	RPM :	IP 55	FR :		
Hz :	60	50	Ins : F		
Volts :	230/460/796	200/400/693	Design : D		
Amps :			WT :		
SF :	1.15	1.0	Duty : Cont		
Max Amb 40°C-CONT		LRT/FLT : %	Date :		

Model	OW20-12-286T				
HP	20	RPM	1131	IP	IP55
Hz	60 Hz	Hz	50Hz	Frame	286T
Voltage	230/460/796	Volts	200/400/693	Encl	TEFC
230V FLA	51.00	200V FLA	59.20	Ins Cl	F
460V FLA	25.50	400V FLA	29.60	Design	D
796V FLA	14.70	693V FLA	29.60	Code	N
S.F.	1.15	S.F.	1.00	WT	451 lbs.
Max. Amb	40°C			Duty	S1 / Continuous
LRT/FLT	337%			Nom.Eff.	89.9%
				P.F.	0.82
				DE Brng	6311 C3
				ODE Brng	6310 C3