

DATA SHEET

Premium Efficiency Motor: **OW25-9-326T**

60 Hz

WorldWide Electric Corporation

1 (800) 808-2131

Worldwideelectric.net



Document Generated: 8-Feb-2024
Document ID:

Customer:

MOTOR INFORMATION	
HP	25
RPM	900
Phase	3
Frequency	60 Hz
Voltage	230/460/796
Frame Size	326T
Enclosure	TEFC
Degree of Protection	IP55
Service Factor	1.15
Poles	8
Full Load Speed	855
Insulation Class	F
Temp Rise	80°C
NEMA Code Letter	H
Duty Cycle	S1 / Continuous
Slip	5.01%
NEMA Design	D
Moment of Inertia	11.0468 lb.ft.^2
Locked Rotor Time (Hot)	12 seconds
Sound Pressure Level	83 dB(A)
Number of Starts	2 Cold/1 Hot
Max Ambient Temperature	40°C
Max Elevation	1000 m.a.s.l (3300 f.a.s.l)
Mounting	F2
Rotation	Bi-Directional
Standard	NEMA MG-1
Approvals	UL, CE

EFFICIENCY/POWER FACTOR		
LOAD	EFF	P. F.
100%	89.4 %	0.77
75%	89.3 %	0.72
50%	87.8 %	0.6

TORQUE			
FULL LOAD	LRT	BDT	PUT
152.7 lb.ft.	281 %	195 %	308 %

AMPERAGE INFORMATION			
	230V	460V	796V
Full Load Amps	68.00	34.00	19.60
Locked Rotor Amps	417.80	208.90	120.61
No Load Current	36.80	18.40	10.62

BEARING INFORMATION	
DE Bearing	6314 C3
ODE Bearing	6212 C3
Grease Type	Mobil Polyrex EM
DE Regreasing Interval	2400 Hours
ODE Regreasing Interval	2400 Hours
Grease Quantity	26g/12g

ADDITIONAL DATA	
F2 Suitable	YES
Shaft Material	1045 Carbon Steel
Connection Diagram	230 / 460 V - 12 Lead Δ
Approximate Weight	688.7 lbs.
Area of Classification	Class 1 Division 2 Groups A,B,C,D T3B in accordance with NEC

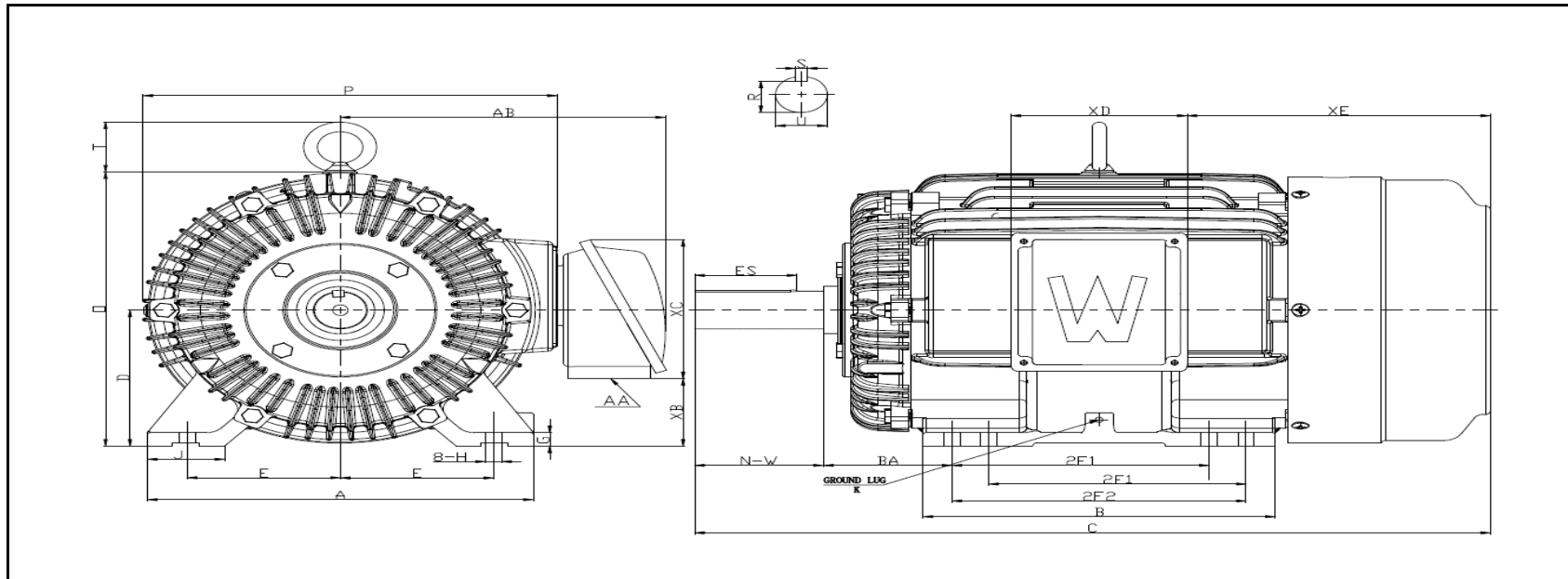
MOTOR DRAWING

Premium Efficiency Motor: **OW25-9-326T**

WorldWide Electric Corporation

1 (800) 808-2131

Worldwideelectric.net



DIMENSION - INCHES

MOUNTING					A	B	C	D	G	J	P	O	T	AB
E	2F1	2F2	H	BA										
6.25	10.5	12	0.66	5.25	15.75	14.37	32.67	8	0.984	3.15	16.3	16.13	2.42	12.8

SHAFT & KEY					
S	ES	R	N-W	AH	U
0.5	3.91	1.845	5.25	N/A	2.125

TERMINAL BOX				
AA	XB	XC	XD	XE
2	4.15	8.32	6.85	12.1

GROUND LUG
K
M8

PERFORMANCE CURVES

WorldWide Electric Corporation

1 (800) 808-2131

Worldwideelectric.net



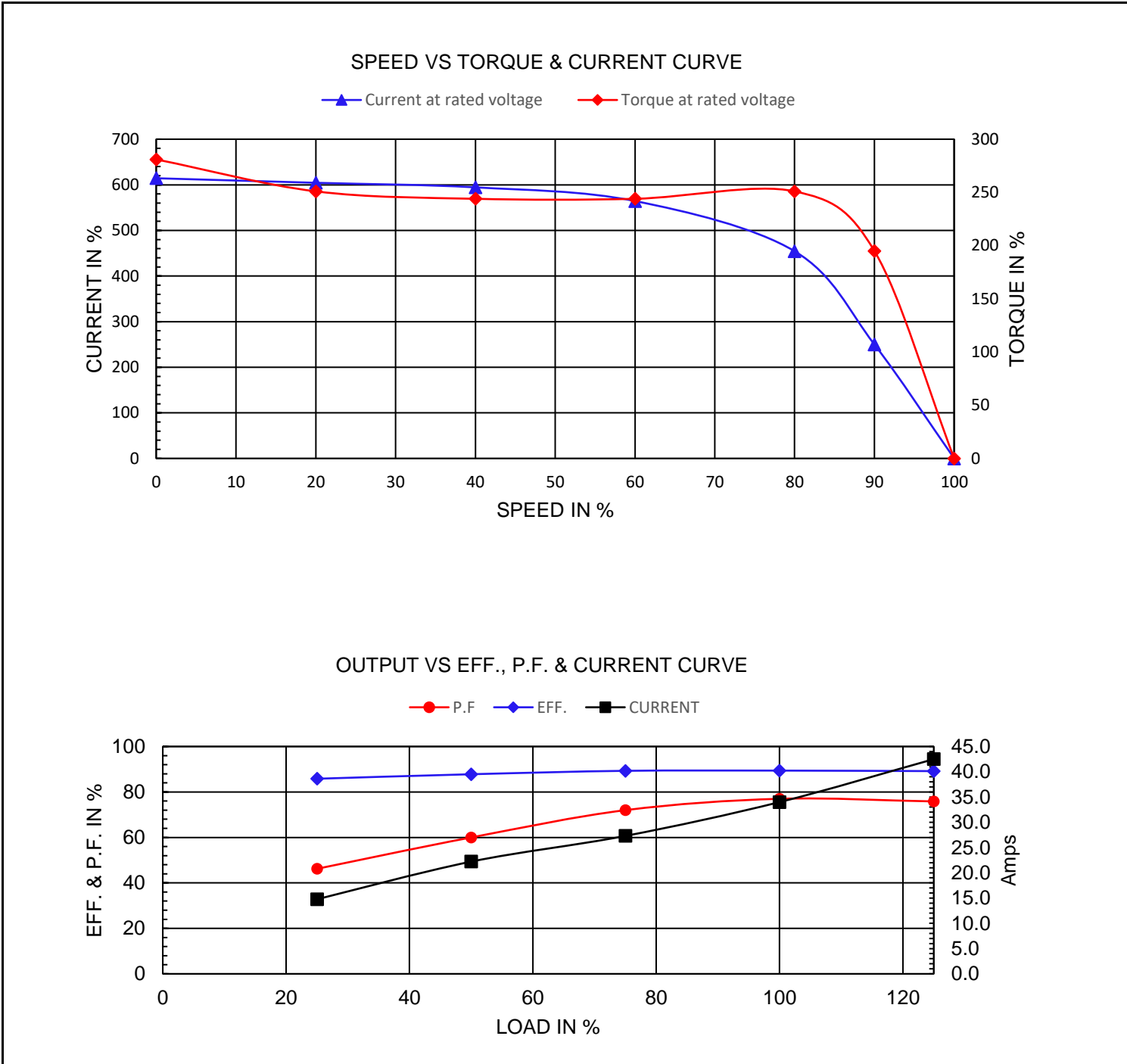
Premium Efficiency Motor:

OW25-9-326T

Document Generated: 8-Feb-2024
 Document ID:

Customer:

Motor Type	PEWWE		FL Speed	854.9	
Output Rating (HP)	25		LRT (%FLT)	281	460 volt FLA 34.00
Full Load Torque	152.7 lb.ft		BDT (%FLT)	195	230 volt FLA 68.00
Rotor Wk^2	11.0468 lb-ft^2				



NAMEPLATE / WIRING

Premium Efficiency Motor: **OW25-9-326T**

WorldWide Electric Corporation

1 (800) 808-2131

Worldwideelectric.net



Document Generated: 8-Feb-2024
Document ID:

Customer:

SAMPLE NAMEPLATE DATA

OIL WELL PUMPING 3 PHASE INDUSTRIAL ELECTRIC MOTOR					
Model :		SN :		Code :	<p style="text-align: center;">230 V</p> <p style="text-align: center;">460 V</p> <p style="text-align: center;">796 V Y Connection For Starting Only</p>
HP :	RPM :	IP 55	FR :	End : TEFC	
Hz :	60	50	Ins : F	Eff :	
Volts :	230/460/796	200/400/693	Design : D	P.F. :	
Amps :			WT :	DE BRG :	
SF :	1.15	1.0	Duty : Cont	ODE BRG :	
Max Amb 40°C-CONT			LRT/FLT : %	Date :	Made in China

Model	OW25-9-326T						
HP	25	RPM	854.9	IP	IP55	Frame	326T
Hz	60 Hz	Hz	50Hz	Encl	TEFC		
Voltage	230/460/796	Volts	200/400/693	Ins Cl	F		
230V FLA	68.00	200V FLA	81.60	Design	D		
460V FLA	34.00	400V FLA	40.80	Code	H		
796V FLA	19.60	693V FLA	40.80	WT	688.7 lbs.		
S.F.	1.15	S.F.	1.00	Duty	S1 / Continuous		
Max. Amb	40°C	Nom.Eff.	89.4%	P.F.	0.77		
LRT/FLT	281%	DE Brng	6314 C3	ODE Brng	6212 C3		