

DATA SHEET

Premium Efficiency Motor: **OW30-9-364T**

60 Hz

WorldWide Electric Corporation

1 (800) 808-2131

Worldwideelectric.net



Document Generated: 8-Feb-2024
Document ID:

Customer:

MOTOR INFORMATION	
HP	30
RPM	900
Phase	3
Frequency	60 Hz
Voltage	230/460/796
Frame Size	364T
Enclosure	TEFC
Degree of Protection	IP55
Service Factor	1.15
Poles	8
Full Load Speed	854
Insulation Class	F
Temp Rise	80°C
NEMA Code Letter	G
Duty Cycle	S1 / Continuous
Slip	5.08%
NEMA Design	D
Moment of Inertia	15.202 lb.ft.^2
Locked Rotor Time (Hot)	12 seconds
Sound Pressure Level	86 dB(A)
Number of Starts	2 Cold/1 Hot
Max Ambient Temperature	40°C
Max Elevation	1000 m.a.s.l (3300 f.a.s.l)
Mounting	F2
Rotation	Bi-Directional
Standard	NEMA MG-1
Approvals	UL, CE

EFFICIENCY/POWER FACTOR		
LOAD	EFF	P. F.
100%	91.1 %	0.77
75%	91.5 %	0.73
50%	90.6 %	0.62

TORQUE			
FULL LOAD	LRT	BDT	PUT
181.5 lb.ft.	276 %	200 %	253 %

AMPERAGE INFORMATION			
	230V	460V	796V
Full Load Amps	78.40	39.20	22.60
Locked Rotor Amps	442.00	221.00	127.60
No Load Current	32.80	16.40	9.47

BEARING INFORMATION	
DE Bearing	6314 C3
ODE Bearing	6212 C3
Grease Type	Mobil Polyrex EM
DE Regreasing Interval	2400 Hours
ODE Regreasing Interval	2400 Hours
Grease Quantity	26g/12g

ADDITIONAL DATA	
F2 Suitable	YES
Shaft Material	1045 Carbon Steel
Connection Diagram	230 / 460 V - 12 Lead Δ
Approximate Weight	800.2 lbs.
Area of Classification	Class 1 Division 2 Groups A,B,C,D T3B in accordance with NEC

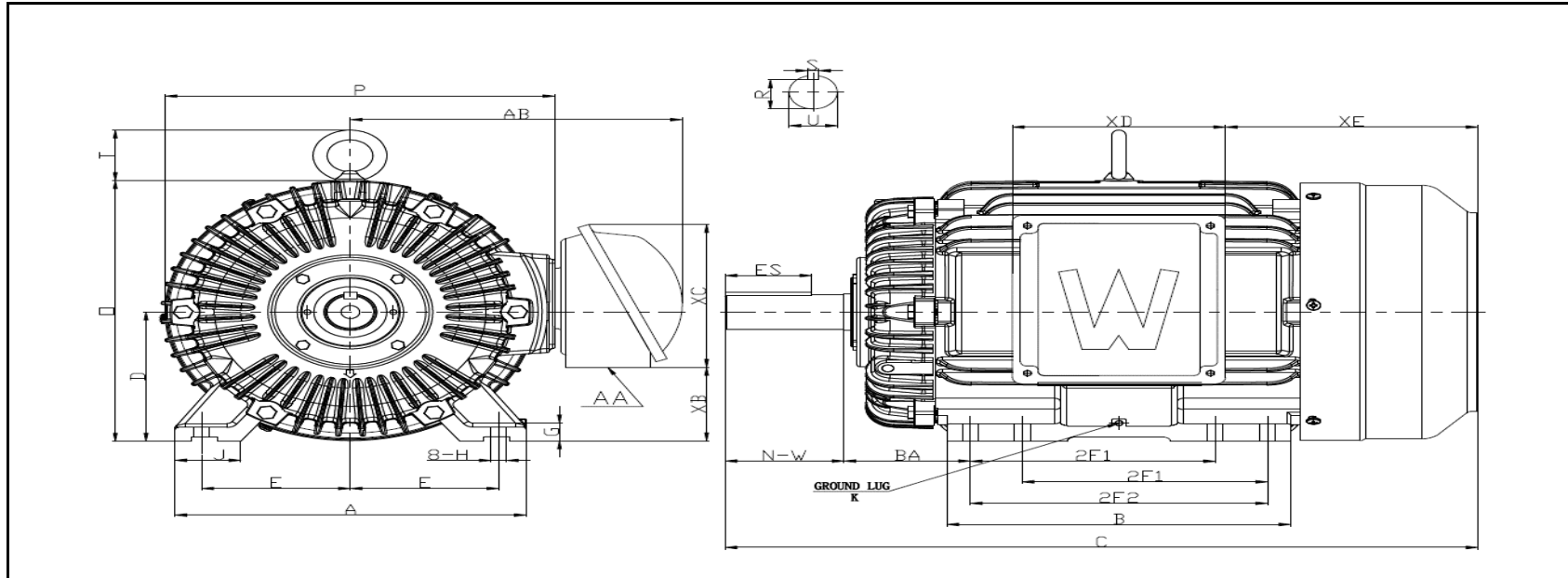
MOTOR DRAWING

Premium Efficiency Motor: **OW30-9-364T**

WorldWide Electric Corporation

1 (800) 808-2131

Worldwideelectric.net



DIMENSION - INCHES

MOUNTING					A	B	C	D	G	J	P	O	T	AB
E	2F1	2F2	H	BA										
7	11.25	12.25	0.66	5.88	16.93	15.4	33.52	9	1.181	3.543	16.54	19.11	2.81	15.55

SHAFT & KEY					
S	ES	R	N-W	AH	U
0.625	4.28	2.021	5.88	N/A	2.375

TERMINAL BOX				
AA	XB	XC	XD	XE
3	4.29	11.27	9.17	12.4

GROUND LUG
K
M8

PERFORMANCE CURVES

WorldWide Electric Corporation

1 (800) 808-2131

Worldwideelectric.net



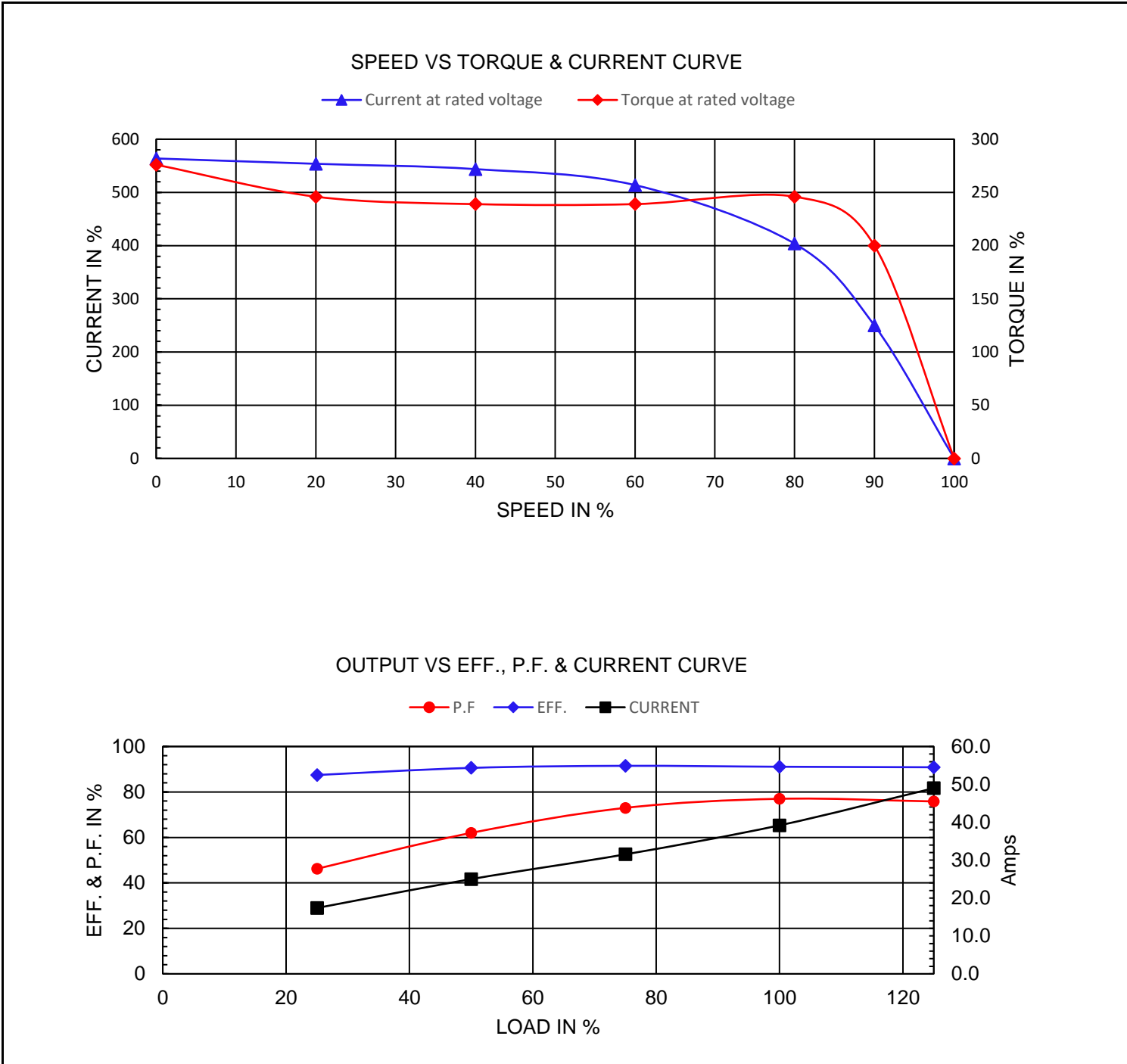
Premium Efficiency Motor:

OW30-9-364T

Document Generated: 8-Feb-2024
 Document ID:

Customer:

Motor Type	PEWWE		FL Speed	854.3		
Output Rating (HP)	30		LRT (%FLT)	276	460 volt FLA	39.20
Full Load Torque	181.5	lb.ft	BDT (%FLT)	200	230 volt FLA	78.40
Rotor Wk^2	15.202	lb-ft^2				



NAMEPLATE / WIRING

Premium Efficiency Motor: **OW30-9-364T**

WorldWide Electric Corporation

1 (800) 808-2131

Worldwideelectric.net



Document Generated: 8-Feb-2024
Document ID:

Customer:

SAMPLE NAMEPLATE DATA

OIL WELL PUMPING 3 PHASE INDUSTRIAL ELECTRIC MOTOR					
Model :		SN :		Code :	<p style="writing-mode: vertical-rl; transform: rotate(180deg);">Made in China</p>
HP :	RPM :	IP 55	FR :	End : TEFC	
Hz :	60	50	Ins : F	Eff :	
Volts :	230/460/796	200/400/693	Design : D	P.F. :	
Amps :			WT :	DE BRG :	
SF :	1.15	1.0	Duty : Cont	ODE BRG :	
Max Amb 40°C-CONT			LRT/FLT : %	Date :	

Model	OW30-9-364T				
HP	30	RPM	854.3	IP	IP55
Hz	60 Hz	Hz	50Hz	Frame	364T
Voltage	230/460/796	Volts	200/400/693	Encl	TEFC
230V FLA	78.40	200V FLA	94.00	Ins Cl	F
460V FLA	39.20	400V FLA	47.00	Design	D
796V FLA	22.60	693V FLA	47.00	Code	G
S.F.	1.15	S.F.	1.00	WT	800.2 lbs.
Max. Amb	40°C	Duty	S1 / Continuous	Nom.Eff.	91.1%
LRT/FLT	276%	P.F.	0.77	DE Brng	6314 C3
		ODE Brng	6212 C3		