

DATA SHEET

Premium Efficiency Motor: **OW60-12-405T**

60 Hz

WorldWide Electric Corporation

1 (800) 808-2131

Worldwideelectric.net



Document Generated: 8-Feb-2024
Document ID:

Customer:

| MOTOR INFORMATION | |
|-------------------------|-----------------------------|
| HP | 60 |
| RPM | 1200 |
| Phase | 3 |
| Frequency | 60 Hz |
| Voltage | 230/460/796 |
| Frame Size | 405T |
| Enclosure | TEFC |
| Degree of Protection | IP55 |
| Service Factor | 1.15 |
| Poles | 6 |
| Full Load Speed | 1130 |
| Insulation Class | F |
| Temp Rise | 80°C |
| NEMA Code Letter | G |
| Duty Cycle | S1 / Continuous |
| Slip | 5.83% |
| NEMA Design | D |
| Moment of Inertia | 25.539 lb.ft.^2 |
| Locked Rotor Time (Hot) | 12 seconds |
| Sound Pressure Level | 90 dB(A) |
| Number of Starts | 2 Cold/1 Hot |
| Max Ambient Temperature | 40°C |
| Max Elevation | 1000 m.a.s.l (3300 f.a.s.l) |
| Mounting | F2 |
| Rotation | Bi-Directional |
| Standard | NEMA MG-1 |
| Approvals | UL, CE |

| EFFICIENCY/POWER FACTOR | | |
|-------------------------|--------|-------|
| LOAD | EFF | P. F. |
| 100% | 82.4 % | 0.88 |
| 75% | 84.1 % | 0.85 |
| 50% | 83.9 % | 0.76 |

| TORQUE | | | |
|------------|-------|-------|-------|
| FULL LOAD | LRT | BDT | PUT |
| 379 lb.ft. | 300 % | 195 % | 315 % |

| AMPERAGE INFORMATION | | | |
|----------------------|---------|--------|--------|
| | 230V | 460V | 796V |
| Full Load Amps | 155.80 | 77.90 | 45.00 |
| Locked Rotor Amps | 1027.20 | 513.60 | 296.54 |
| No Load Current | 45.80 | 22.90 | 13.22 |

| BEARING INFORMATION | |
|-------------------------|------------------|
| DE Bearing | NU316 C3 |
| ODE Bearing | 6313 C3 |
| Grease Type | Mobil Polyrex EM |
| DE Regreasing Interval | 2400 Hours |
| ODE Regreasing Interval | 2400 Hours |
| Grease Quantity | 33g/23g |

| ADDITIONAL DATA | |
|------------------------|--|
| F2 Suitable | YES |
| Shaft Material | 1045 Carbon Steel |
| Connection Diagram | 230 / 460 V - 12 Lead Δ |
| Approximate Weight | 1038 lbs. |
| Area of Classification | Class 1 Division 2 Groups A,B,C,D T3B in accordance with NEC |

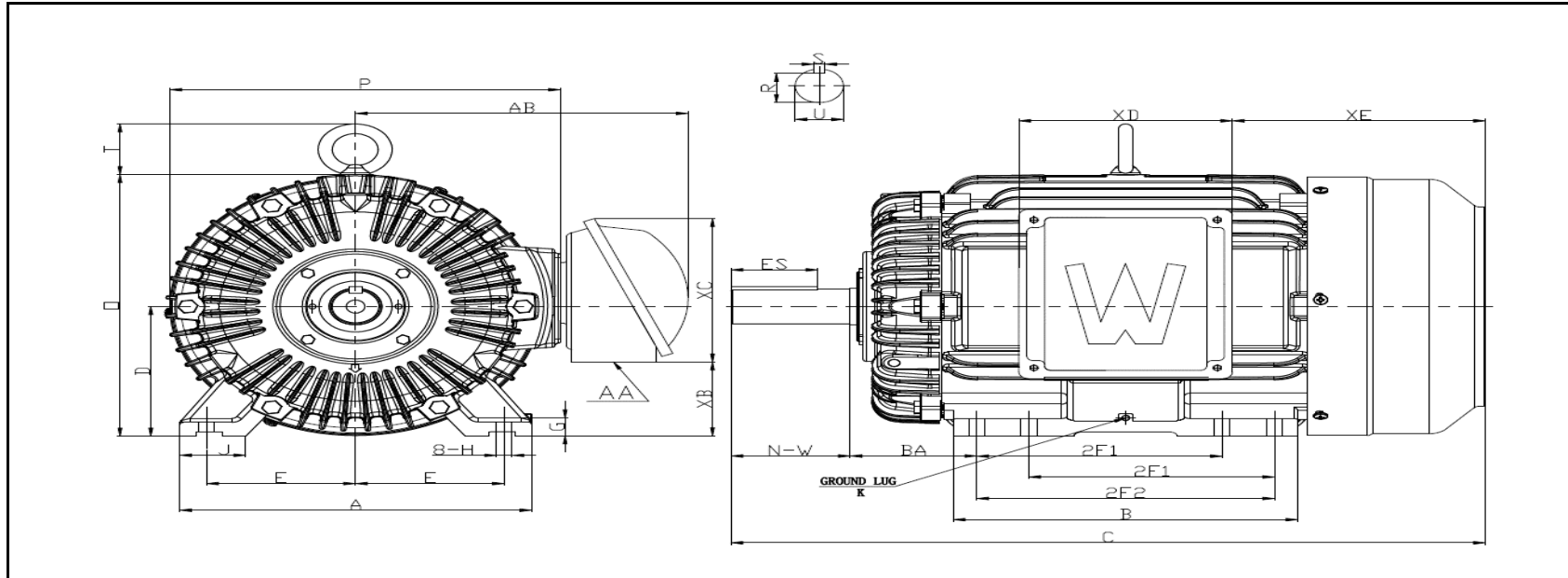
MOTOR DRAWING

Premium Efficiency Motor: **OW60-12-405T**

WorldWide Electric Corporation

1 (800) 808-2131

Worldwideelectric.net



DIMENSION - INCHES

| MOUNTING | | | | | A | B | C | D | G | J | P | O | T | AB |
|----------|-------|-------|------|------|-------|-------|-------|----|-------|-------|-------|-------|------|--------|
| E | 2F1 | 2F2 | H | BA | | | | | | | | | | |
| 8 | 12.25 | 13.75 | 0.81 | 6.62 | 18.89 | 17.32 | 40.75 | 10 | 1.181 | 3.937 | 20.27 | 20.67 | 2.81 | 18.215 |

| SHAFT & KEY | | | | | |
|-------------|------|------|------|-----|-------|
| S | ES | R | N-W | AH | U |
| 0.75 | 5.65 | 2.45 | 7.25 | N/A | 2.875 |

| TERMINAL BOX | | | | |
|--------------|------|-------|------|-------|
| AA | XB | XC | XD | XE |
| 3 | 5.29 | 11.27 | 9.17 | 12.32 |

| GROUND LUG |
|------------|
| K |
| M12 |

PERFORMANCE CURVES

WorldWide Electric Corporation

1 (800) 808-2131

Worldwideelectric.net



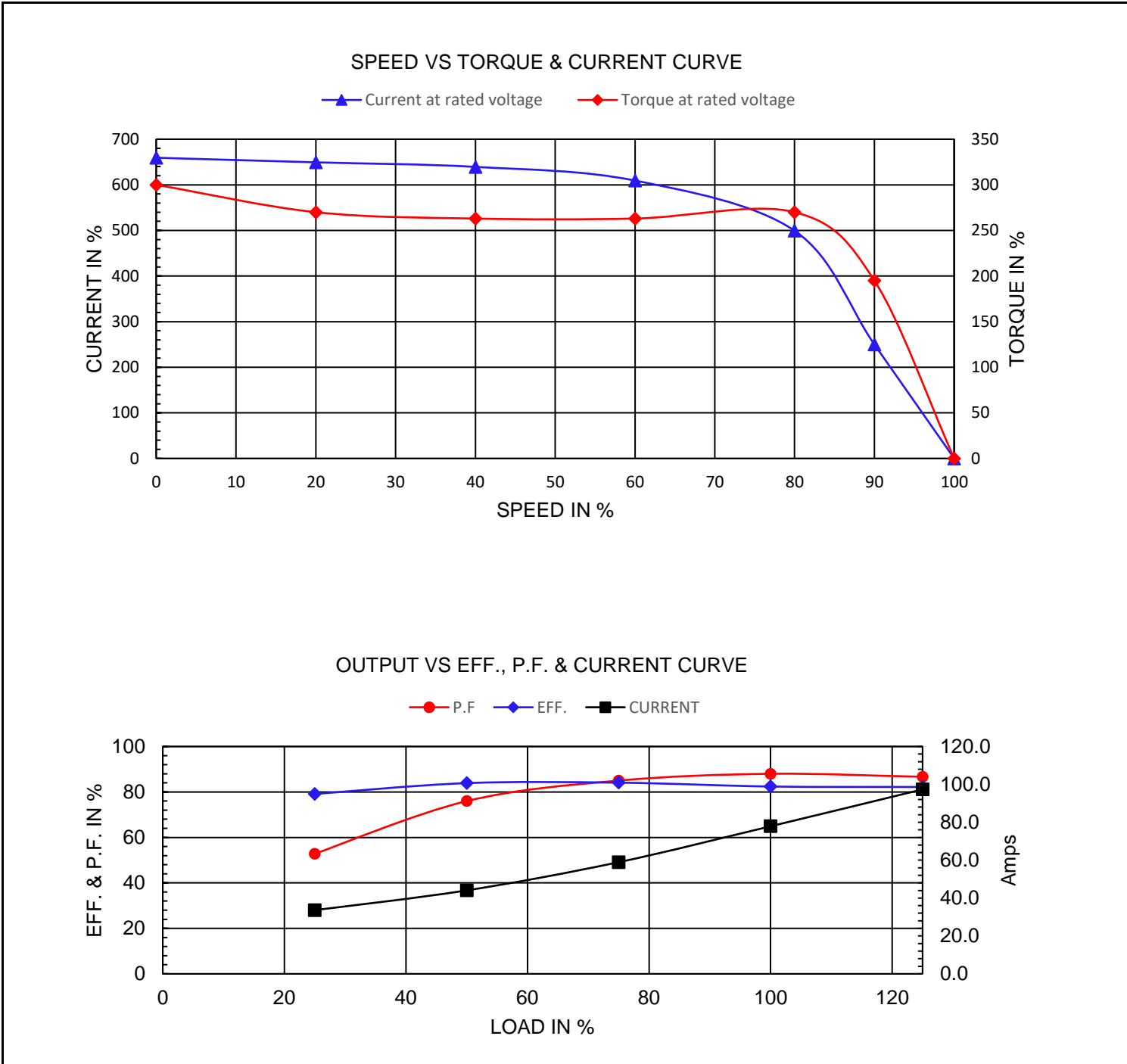
Premium Efficiency Motor:

OW60-12-405T

Document Generated: 8-Feb-2024
Document ID:

Customer:

| | | | | | | |
|--------------------|--------|---------|------------|------|--------------|--------|
| Motor Type | PEWWE | | FL Speed | 1130 | | |
| Output Rating (HP) | 60 | | LRT (%FLT) | 300 | 460 volt FLA | 77.90 |
| Full Load Torque | 379 | lb.ft | BDT (%FLT) | 195 | 230 volt FLA | 155.80 |
| Rotor Wk^2 | 25.539 | lb-ft^2 | | | | |



NAMEPLATE / WIRING

Premium Efficiency Motor: **OW60-12-405T**

WorldWide Electric Corporation

1 (800) 808-2131

Worldwideelectric.net



| | |
|--------------------------------|-----------|
| Document Generated: 8-Feb-2024 | Customer: |
| Document ID: | |

SAMPLE NAMEPLATE DATA

| OIL WELL PUMPING 3 PHASE INDUSTRIAL ELECTRIC MOTOR | | | | | |
|---|--------------------|--------------------|--------------------|--|----------------------|
| Model : | SN : | | Code : | <p style="text-align: center;">230 V</p> <p style="text-align: center;">460 V</p> <p style="text-align: center;">796 V Y Connection For Starting Only</p> | Made in China |
| HP : | RPM : | IP 55 | FR : | | |
| Hz : | 60 | 50 | Ins : F | | |
| Volts : | 230/460/796 | 200/400/693 | Design : D | | |
| Amps : | | | WT : | | |
| SF : | 1.15 | 1.0 | Duty : Cont | | |
| Max Amb 40°C-CONT | | LRT/FLT : % | Date : | | |
| WorldWide Electric Corporation | | | | | |

| | | | | | |
|-----------------|--------------|-----------------|-----------------|-----------------|-----------|
| Model | OW60-12-405T | | | | |
| HP | 60 | RPM | 1130 | IP | IP55 |
| Hz | 60 Hz | Hz | 50Hz | Frame | 405T |
| Voltage | 230/460/796 | Volts | 200/400/693 | Encl | TEFC |
| 230V FLA | 155.80 | 200V FLA | 179.20 | Ins Cl | F |
| 460V FLA | 77.90 | 400V FLA | 89.60 | Design | D |
| 796V FLA | 45.00 | 693V FLA | 89.60 | Code | G |
| S.F. | 1.15 | S.F. | 1.00 | WT | 1038 lbs. |
| Max. Amb | 40°C | Duty | S1 / Continuous | Nom.Eff. | 82.4% |
| LRT/FLT | 300% | P.F. | 0.88 | DE Brng | NU316 C3 |
| | | ODE Brng | 6313 C3 | | |