

DATA SHEET

Premium Efficiency Motor: **OW7.5-12-254T**

60 Hz

WorldWide Electric Corporation

1 (800) 808-2131

Worldwideelectric.net



Document Generated: 8-Feb-2024
Document ID:

Customer:

MOTOR INFORMATION	
HP	7.5
RPM	1200
Phase	3
Frequency	60 Hz
Voltage	230/460/796
Frame Size	254T
Enclosure	TEFC
Degree of Protection	IP55
Service Factor	1.15
Poles	6
Full Load Speed	1135
Insulation Class	F
Temp Rise	80°C
NEMA Code Letter	H
Duty Cycle	S1 / Continuous
Slip	5.42%
NEMA Design	D
Moment of Inertia	1.517 lb.ft. ²
Locked Rotor Time (Hot)	12 seconds
Sound Pressure Level	75 dB(A)
Number of Starts	2 Cold/1 Hot
Max Ambient Temperature	40°C
Max Elevation	1000 m.a.s.l (3300 f.a.s.l)
Mounting	F2
Rotation	Bi-Directional
Standard	NEMA MG-1
Approvals	UL, CE

EFFICIENCY/POWER FACTOR		
LOAD	EFF	P. F.
100%	85.0 %	0.76
75%	85.3 %	0.69
50%	83.6 %	0.57

TORQUE			
FULL LOAD	LRT	BDT	PUT
34 lb.ft.	442 %	205 %	309 %

AMPERAGE INFORMATION			
	230V	460V	796V
Full Load Amps	21.40	10.70	6.20
Locked Rotor Amps	131.00	65.50	37.82
No Load Current	10.20	5.10	2.94

BEARING INFORMATION	
DE Bearing	6309 C3
ODE Bearing	6307 C3
Grease Type	Mobil Polyrex EM
DE Regreasing Interval	2400 Hours
ODE Regreasing Interval	2400 Hours
Grease Quantity	13g/8g

ADDITIONAL DATA	
F2 Suitable	YES
Shaft Material	1045 Carbon Steel
Connection Diagram	230 / 460 V - 12 Lead Δ
Approximate Weight	251 lbs.
Area of Classification	Class 1 Division 2 Groups A,B,C,D T3B in accordance with NEC

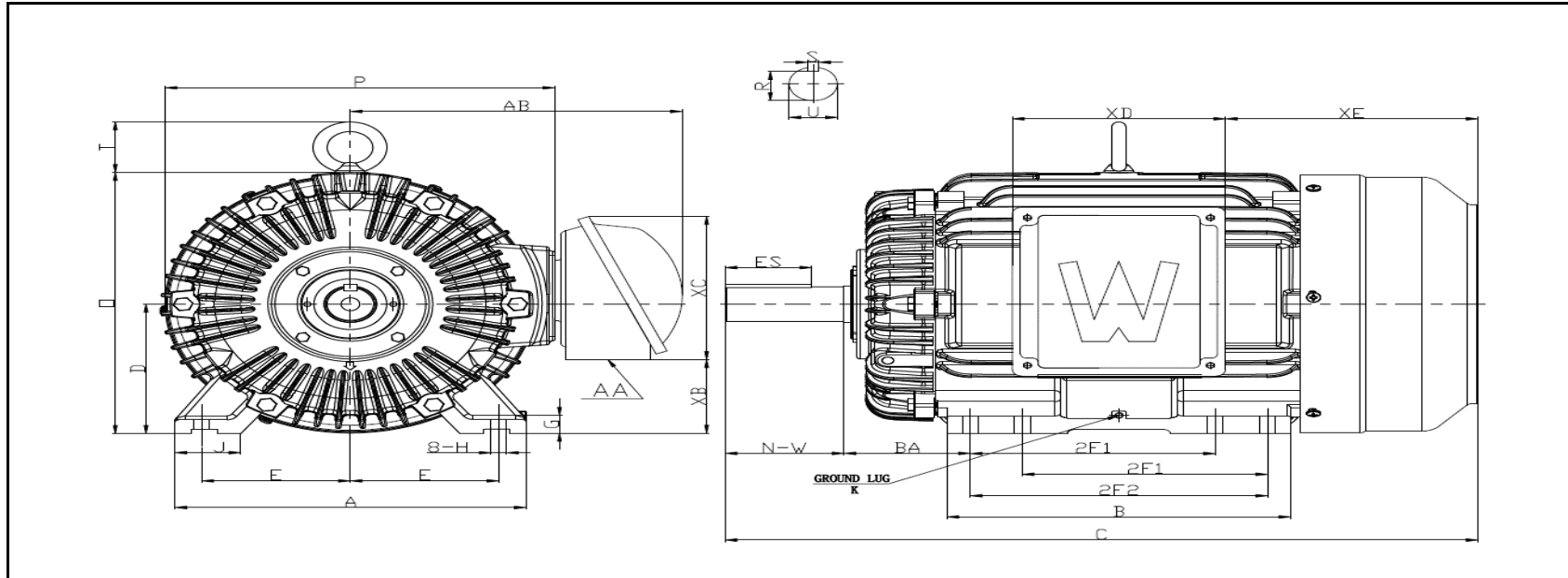
MOTOR DRAWING

Premium Efficiency Motor: **OW7.5-12-254T**

WorldWide Electric Corporation

1 (800) 808-2131

Worldwideelectric.net



DIMENSION - INCHES

MOUNTING					A	B	C	D	G	J	P	O	T	AB
E	2F1	2F2	H	BA										
5	8.25	10	0.53	4.25	11.8	11.57	25.39	6.25	0.669	2.038	13.46	12.68	2.03	10.57

SHAFT & KEY					
S	ES	R	N-W	AH	U
0.375	2.91	1.416	4	N/A	1.625

TERMINAL BOX				
AA	XB	XC	XD	XE
1-1/2	2.86	7.2	5.8	8.1

GROUND LUG
K
M8

PERFORMANCE CURVES

WorldWide Electric Corporation

1 (800) 808-2131

Worldwideelectric.net



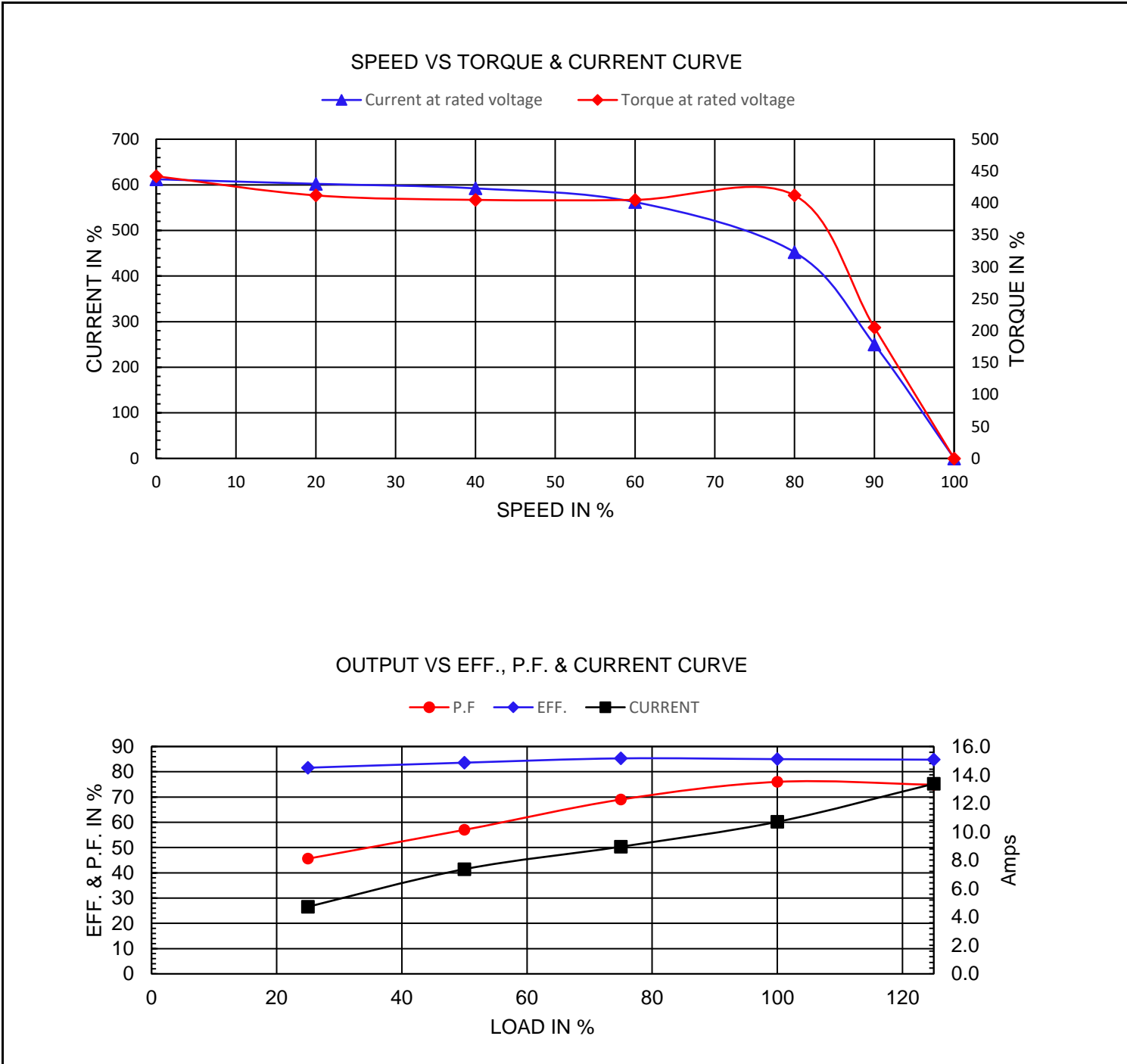
Premium Efficiency Motor:

OW7.5-12-254T

Document Generated: 8-Feb-2024
 Document ID:

Customer:

Motor Type	PEWWE		FL Speed	1135	
Output Rating (HP)	7.5		LRT (%FLT)	442	460 volt FLA 10.70
Full Load Torque	34 lb.ft		BDT (%FLT)	205	230 volt FLA 21.40
Rotor Wk^2	1.517 lb-ft^2				



NAMEPLATE / WIRING

Premium Efficiency Motor: **OW7.5-12-254T**

WorldWide Electric Corporation

1 (800) 808-2131

Worldwideelectric.net



Document Generated: 8-Feb-2024	Customer:
Document ID:	

SAMPLE NAMEPLATE DATA

OIL WELL PUMPING 3 PHASE INDUSTRIAL ELECTRIC MOTOR					
Model :	SN :		Code :	<p style="text-align: center;">230 V</p> <p style="text-align: center;">460 V</p> <p style="text-align: center;">796 V Y Connection For Starting Only</p>	Made in China
HP :	RPM :	IP 55	FR :		
Hz :	60	50	Ins : F		
Volts :	230/460/796	200/400/693	Design : D		
Amps :			WT :		
SF :	1.15	1.0	Duty : Cont		
Max Amb 40°C-CONT		LRT/FLT : %	Date :		
WorldWide Electric Corporation					

Model	OW7.5-12-254T				
HP	7.5	RPM	1135	IP	IP55
Hz	60 Hz	Hz	50Hz	Frame	254T
Voltage	230/460/796	Volts	200/400/693	Encl	TEFC
230V FLA	21.40	200V FLA	24.20	Ins Cl	F
460V FLA	10.70	400V FLA	12.10	Design	D
796V FLA	6.20	693V FLA	12.10	Code	H
S.F.	1.15	S.F.	1.00	WT	251 lbs.
Max. Amb	40°C			Duty	S1 / Continuous
LRT/FLT	442%			Nom.Eff.	85.0%
				P.F.	0.76
				DE Brng	6309 C3
				ODE Brng	6307 C3