

# DATA SHEET

Premium Efficiency Motor: **OW75-12-444T**

**60 Hz**

WorldWide Electric Corporation

1 (800) 808-2131

Worldwideelectric.net



Document Generated: 8-Feb-2024  
Document ID:

Customer:

MOTOR INFORMATION	
HP	75
RPM	1200
Phase	3
Frequency	60 Hz
Voltage	230/460/796
Frame Size	444T
Enclosure	TEFC
Degree of Protection	IP55
Service Factor	1.15
Poles	6
Full Load Speed	1135
Insulation Class	F
Temp Rise	80°C
NEMA Code Letter	G
Duty Cycle	S1 / Continuous
Slip	5.42%
NEMA Design	D
Moment of Inertia	27.2302 lb.ft.^2
Locked Rotor Time (Hot)	12 seconds
Sound Pressure Level	90 dB(A)
Number of Starts	2 Cold/1 Hot
Max Ambient Temperature	40°C
Max Elevation	1000 m.a.s.l (3300 f.a.s.l)
Mounting	F2
Rotation	Bi-Directional
Standard	NEMA MG-1
Approvals	UL, CE

EFFICIENCY/POWER FACTOR		
LOAD	EFF	P. F.
100%	93.5 %	0.84
75%	93.2 %	0.81
50%	91.7 %	0.74

TORQUE			
FULL LOAD	LRT	BDT	PUT
340.9 lb.ft.	278 %	205 %	305 %

AMPERAGE INFORMATION			
	230V	460V	796V
Full Load Amps	175.80	87.90	50.80
Locked Rotor Amps	1061.00	530.50	306.29
No Load Current	62.00	31.00	17.90

BEARING INFORMATION	
DE Bearing	NU320 C3
ODE Bearing	6316 C3
Grease Type	Mobil Polyrex EM
DE Regreasing Interval	2400 Hours
ODE Regreasing Interval	2400 Hours
Grease Quantity	51g/33g

ADDITIONAL DATA	
F2 Suitable	YES
Shaft Material	1045 Carbon Steel
Connection Diagram	230 / 460 V - 12 Lead Δ
Approximate Weight	1243 lbs.
Area of Classification	Class 1 Division 2 Groups A,B,C,D T3B in accordance with NEC

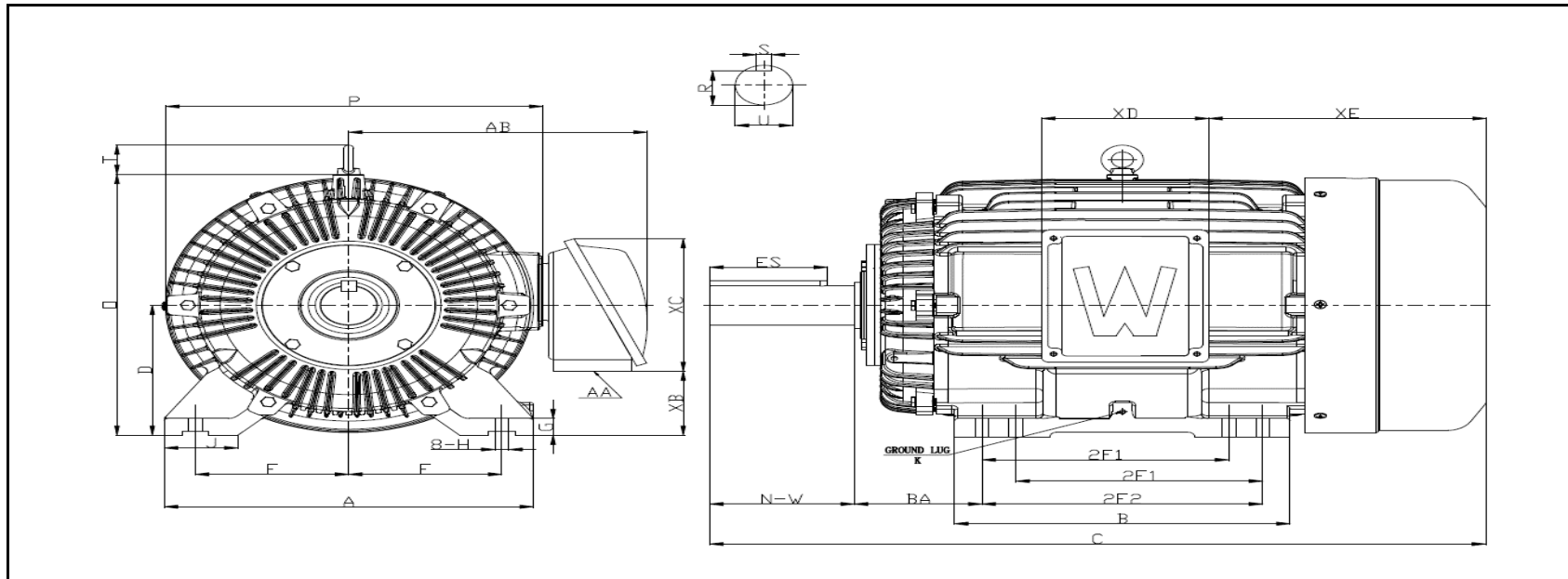
# MOTOR DRAWING

Premium Efficiency Motor: **OW75-12-444T**

WorldWide Electric Corporation

1 (800) 808-2131

Worldwideelectric.net



## DIMENSION - INCHES

MOUNTING					A	B	C	D	G	J	P	O	T	AB
E	2F1	2F2	H	BA										
9	14.5	16.5	0.81	7.5	21.69	19.29	46.65	11	1.417	4.33	22.05	21.65	2.81	19.0985

SHAFT & KEY					
S	ES	R	N-W	AH	U
0.875	6.91	2.88	8.5	N/A	3.375

TERMINAL BOX				
AA	XB	XC	XD	XE
3	4.29	11.27	9.17	15.47

GROUND LUG
K
M8

# PERFORMANCE CURVES

WorldWide Electric Corporation

1 (800) 808-2131

Worldwideelectric.net



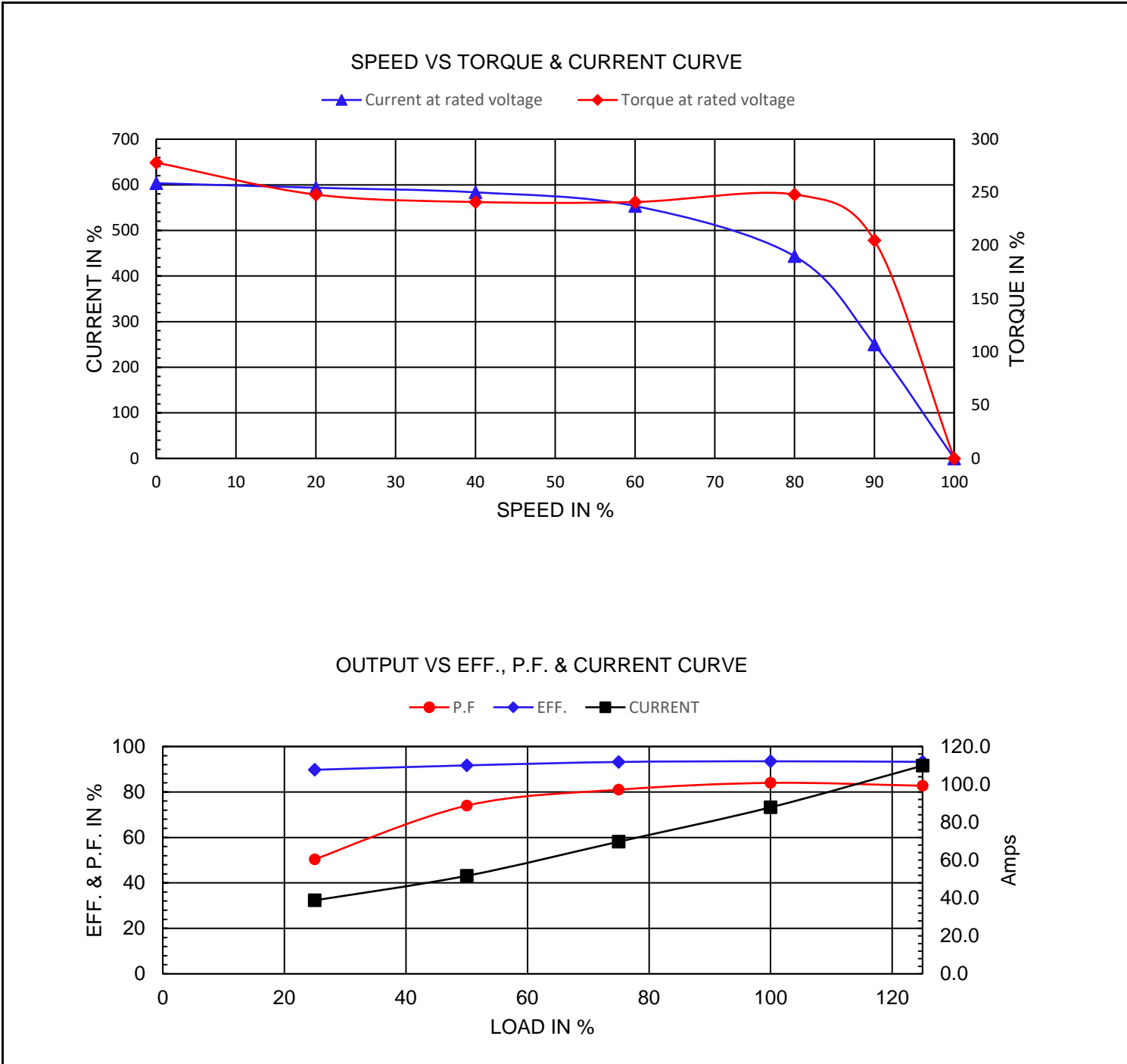
Premium Efficiency Motor:

**OW75-12-444T**

Document Generated: 8-Feb-2024  
Document ID:

Customer:

Motor Type	PEWWE		FL Speed	1135		
Output Rating (HP)	75		LRT (%FLT)	278	460 volt FLA	87.90
Full Load Torque	340.9	lb.ft	BDT (%FLT)	205	230 volt FLA	175.80
Rotor Wk^2	27.2302	lb-ft^2				



# NAMEPLATE / WIRING

Premium Efficiency Motor: **OW75-12-444T**

WorldWide Electric Corporation

1 (800) 808-2131

Worldwideelectric.net



Document Generated: 8-Feb-2024	Customer:
Document ID:	

## SAMPLE NAMEPLATE DATA

<b>OIL WELL PUMPING 3 PHASE INDUSTRIAL ELECTRIC MOTOR</b>					
<b>Model :</b>	<b>SN :</b>		<b>Code :</b>	<p style="text-align: center;"><b>230 V</b></p> <p style="text-align: center;"><b>460 V</b></p> <p style="text-align: center;"><b>796 V</b> Y Connection For Starting Only</p>	<b>Made in China</b>
<b>HP :</b>	<b>RPM :</b>	<b>IP 55</b>	<b>FR :</b>		
<b>Hz :</b>	<b>60</b>	<b>50</b>	<b>Ins : F</b>		
<b>Volts :</b>	<b>230/460/796</b>	<b>200/400/693</b>	<b>Design : D</b>		
<b>Amps :</b>			<b>WT :</b>		
<b>SF :</b>	<b>1.15</b>	<b>1.0</b>	<b>Duty : Cont</b>		
<b>Max Amb 40°C-CONT</b>		<b>LRT/FLT : %</b>	<b>Date :</b>		

<b>Model</b>	OW75-12-444T				
<b>HP</b>	75	<b>RPM</b>	1135	<b>IP</b>	IP55
<b>Hz</b>	60 Hz	<b>Hz</b>	50Hz	<b>Frame</b>	444T
<b>Voltage</b>	230/460/796	<b>Volts</b>	200/400/693	<b>Encl</b>	TEFC
<b>230V FLA</b>	175.80	<b>200V FLA</b>	202.20	<b>Ins Cl</b>	F
<b>460V FLA</b>	87.90	<b>400V FLA</b>	101.10	<b>Design</b>	D
<b>796V FLA</b>	50.80	<b>693V FLA</b>	101.10	<b>Code</b>	G
<b>S.F.</b>	1.15	<b>S.F.</b>	1.00	<b>WT</b>	1243 lbs.
<b>Max. Amb</b>	40°C			<b>Duty</b>	S1 / Continuous
<b>LRT/FLT</b>	278%			<b>Nom.Eff.</b>	93.5%
				<b>P.F.</b>	0.84
				<b>DE Brng</b>	NU320 C3
				<b>ODE Brng</b>	6316 C3