

DATA SHEET

Premium Efficiency Motor: **OW75-9-445T**

60 Hz

WorldWide Electric Corporation

1 (800) 808-2131

Worldwideelectric.net



Document Generated: 8-Feb-2024
Document ID:

Customer:

MOTOR INFORMATION	
HP	75
RPM	900
Phase	3
Frequency	60 Hz
Voltage	230/460/796
Frame Size	445T
Enclosure	TEFC
Degree of Protection	IP55
Service Factor	1.15
Poles	8
Full Load Speed	854
Insulation Class	F
Temp Rise	80°C
NEMA Code Letter	G
Duty Cycle	S1 / Continuous
Slip	5.09%
NEMA Design	D
Moment of Inertia	33.3703 lb.ft.^2
Locked Rotor Time (Hot)	12 seconds
Sound Pressure Level	93 dB(A)
Number of Starts	2 Cold/1 Hot
Max Ambient Temperature	40°C
Max Elevation	1000 m.a.s.l (3300 f.a.s.l)
Mounting	F2
Rotation	Bi-Directional
Standard	NEMA MG-1
Approvals	UL, CE

EFFICIENCY/POWER FACTOR		
LOAD	EFF	P. F.
100%	93.9 %	0.78
75%	94.3 %	0.76
50%	93.9 %	0.68

TORQUE			
FULL LOAD	LRT	BDT	PUT
453.2 lb.ft.	319 %	200 %	298 %

AMPERAGE INFORMATION			
	230V	460V	796V
Full Load Amps	188.00	94.00	54.30
Locked Rotor Amps	1081.40	540.70	312.18
No Load Current	72.00	36.00	20.79

BEARING INFORMATION	
DE Bearing	NU320 C3
ODE Bearing	6316 C3
Grease Type	Mobil Polyrex EM
DE Regreasing Interval	2400 Hours
ODE Regreasing Interval	2400 Hours
Grease Quantity	51g/33g

ADDITIONAL DATA	
F2 Suitable	YES
Shaft Material	1045 Carbon Steel
Connection Diagram	230 / 460 V - 12 Lead Δ
Approximate Weight	1384.5 lbs.
Area of Classification	Class 1 Division 2 Groups A,B,C,D T3B in accordance with NEC

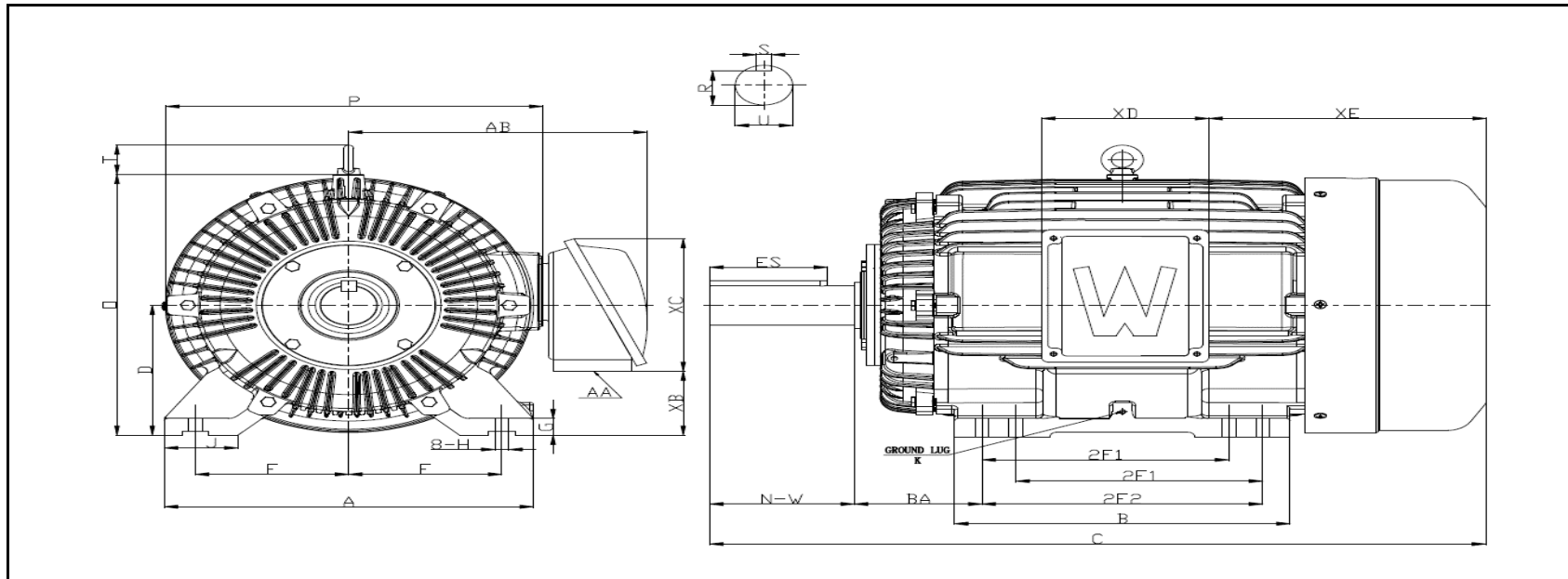
MOTOR DRAWING

Premium Efficiency Motor: **OW75-9-445T**

WorldWide Electric Corporation

1 (800) 808-2131

Worldwideelectric.net



DIMENSION - INCHES

MOUNTING					A	B	C	D	G	J	P	O	T	AB
E	2F1	2F2	H	BA										
9	14.5	16.5	0.81	7.5	21.69	19.29	46.65	11	1.417	4.33	22.05	21.65	2.81	19.0985

SHAFT & KEY					
S	ES	R	N-W	AH	U
0.875	6.91	2.88	8.5	N/A	3.375

TERMINAL BOX				
AA	XB	XC	XD	XE
3	4.29	11.27	9.17	15.47

GROUND LUG
K
M8

PERFORMANCE CURVES

WorldWide Electric Corporation

1 (800) 808-2131

Worldwideelectric.net



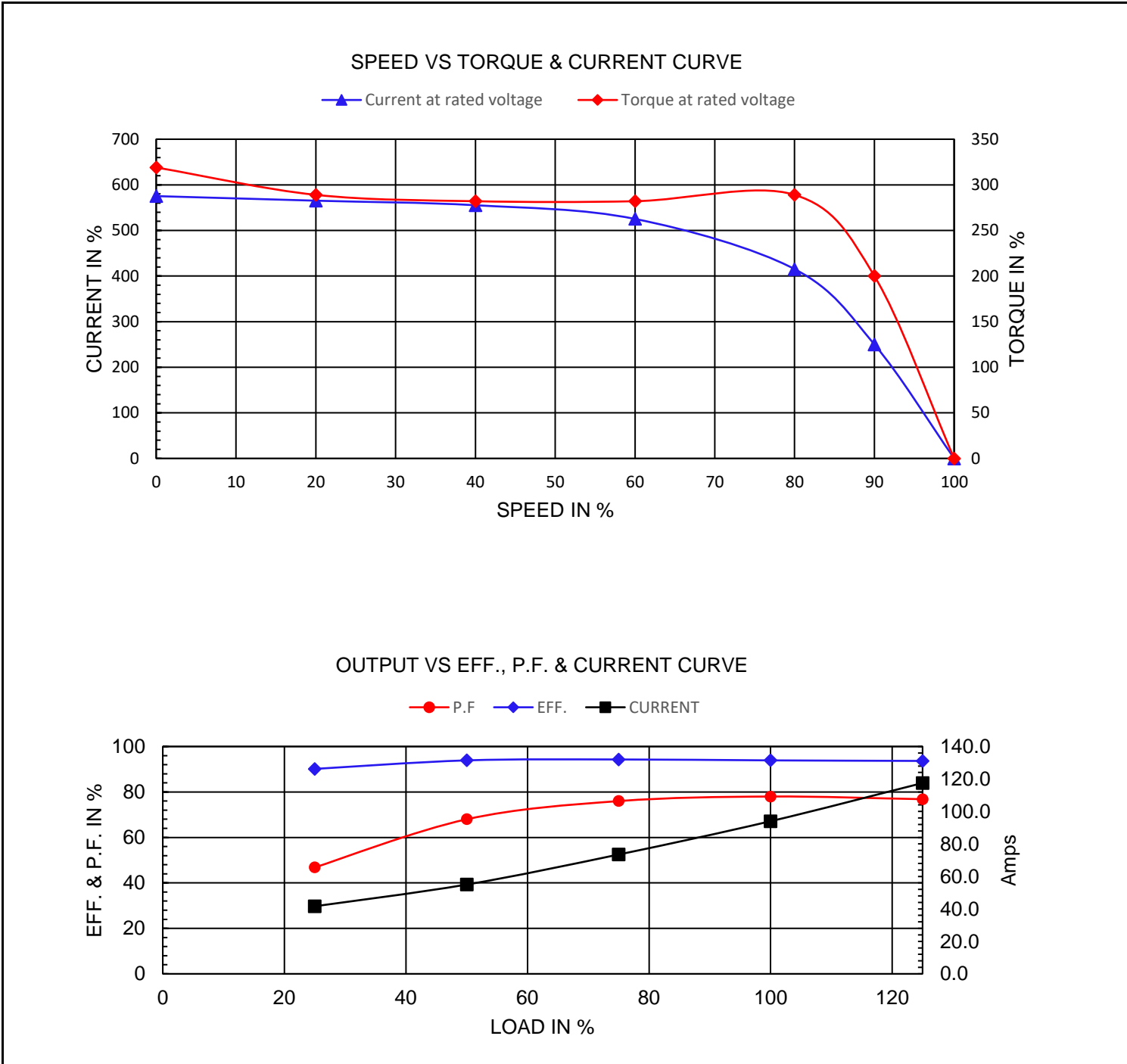
Premium Efficiency Motor:

OW75-9-445T

Document Generated: 8-Feb-2024
Document ID:

Customer:

Motor Type	PEWWE	FL Speed	854.2
Output Rating (HP)	75	LRT (%FLT)	319
Full Load Torque	453.2 lb.ft	460 volt FLA	94.00
Rotor Wk ²	33.3703 lb-ft ²	BDT (%FLT)	200
		230 volt FLA	188.00



NAMEPLATE / WIRING

Premium Efficiency Motor: **OW75-9-445T**

WorldWide Electric Corporation

1 (800) 808-2131

Worldwideelectric.net



Document Generated: 8-Feb-2024
Document ID:

Customer:

SAMPLE NAMEPLATE DATA

OIL WELL PUMPING 3 PHASE INDUSTRIAL ELECTRIC MOTOR					
Model :		SN :		Code :	<p style="text-align: center;">230 V</p> <p style="text-align: center;">460 V</p> <p style="text-align: center;">796 V Y Connection For Starting Only</p>
HP :	RPM :	IP 55	FR :	End : TEFC	
Hz :	60	50	Ins : F	Eff :	
Volts :	230/460/796	200/400/693	Design : D	P.F. :	
Amps :			WT :	DE BRG :	
SF :	1.15	1.0	Duty : Cont	ODE BRG :	
Max Amb 40°C-CONT			LRT/FLT : %	Date :	Made in China

Model	OW75-9-445T						
HP	75	RPM	854.2	IP	IP55	Frame	445T
Hz	60 Hz	Hz	50Hz	Encl	TEFC		
Voltage	230/460/796	Volts	200/400/693	Ins Cl	F		
230V FLA	188.00	200V FLA	216.20	Design	D		
460V FLA	94.00	400V FLA	108.10	Code	G		
796V FLA	54.30	693V FLA	108.10	WT	1384.5 lbs.		
S.F.	1.15	S.F.	1.00	Duty	S1 / Continuous		
Max. Amb	40°C	Nom.Eff.	93.9%	P.F.	0.78		
LRT/FLT	319%	DE Brng	NU320 C3	ODE Brng	6316 C3		