

DATA SHEET

Premium Efficiency Motor: **PEWWE1-18-143TC**

60 Hz

WorldWide Electric Corporation

1 (800) 808-2131

Worldwideelectric.net



Document Generated: 1-Aug-2023
Document ID:

Customer:

MOTOR INFORMATION	
HP	1
RPM	1800
Phase	3
Frequency	60 Hz
Voltage	230/460 V
Frame Size	143TC
Enclosure	TEFC
Degree of Protection	IP55
Service Factor	1.25
Poles	4
Full Load Speed	1755
Insulation Class	F
Temp Rise	80°C
NEMA Code Letter	N
Duty Cycle	S1 / Continuous
Slip	2.50%
NEMA Design	B
Moment of Inertia	0.0809 lb.ft.^2
Locked Rotor Time (Hot)	12 seconds
Sound Pressure Level	60 dB(A)
Number of Starts	2 Cold/ 1 Hot
Max Ambient Temperature	40°C
Max Elevation	1000 m.a.s.l (3300 f.a.s.l)
Mounting	F1
Rotation	Bi-Directional
Area of Classification	Class 1 Division 2 Groups A,B,C,D T3C(160°C)
Inverter Rating	10:1 CT / 20:1 VT PWM Type
Standard	NEMA MG-1
Approvals	CSA-US, CE

EFFICIENCY/POWER FACTOR		
LOAD	EFF	P. F.
100%	85.5 %	0.67
75%	84.5 %	0.60
50%	81.0 %	0.47

TORQUE		
FULL LOAD	LRT	BDT
2.99 lb.ft.	300 %	420 %

AMPERAGE INFORMATION		
	230V	460V
Full Load Amps	3.27A	1.63A
Locked Rotor Amps	30A	15A
No Load Current	2.2A	1.1A
Usable at 208V	3.61A	

BEARING INFORMATION	
DE Bearing	6205ZZ C3
ODE Bearing	6205ZZ C3
Grease Type	--
DE Regreasing Interval	- Hours
ODE Regreasing Interval	- Hours

ADDITIONAL DATA	
F2 Suitable	Yes
Shaft Material	1045 Carbon Steel
Connection Diagram	230 / 460 V - 9 Lead Y
Approximate Weight	39.2 lbs.

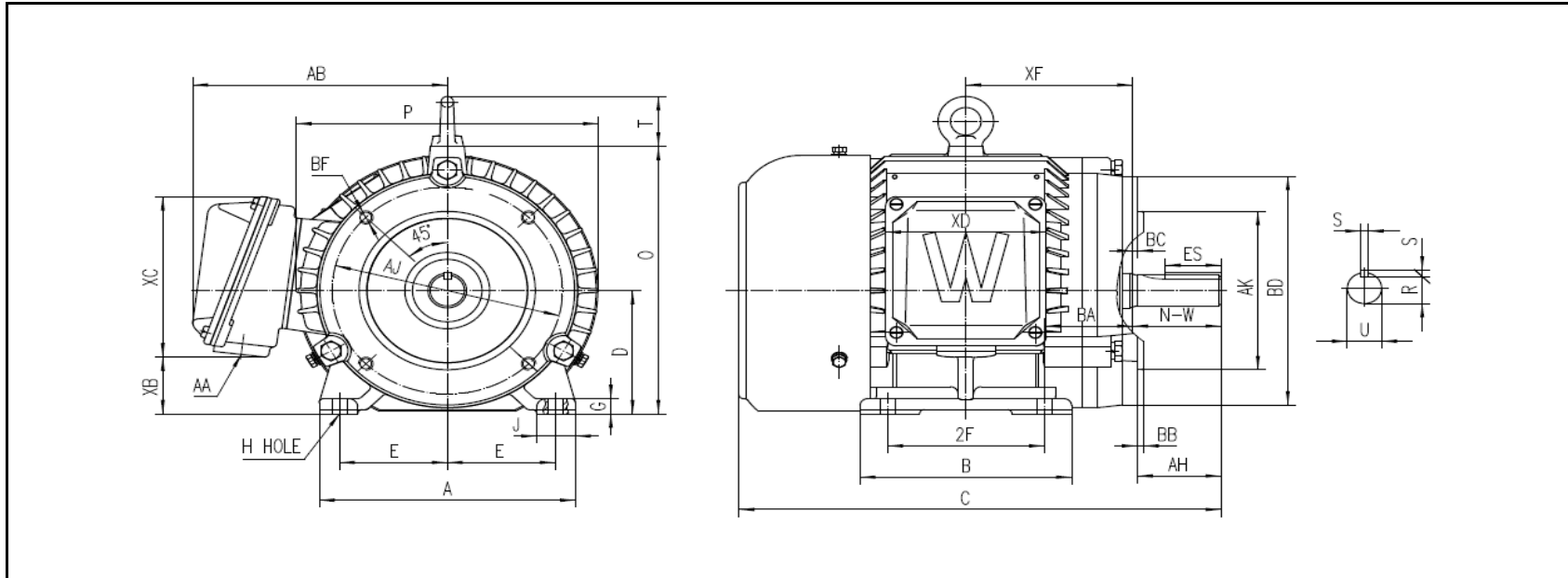
MOTOR DRAWING

Premium Efficiency Motor: **PEWWE1-18-143TC**

WorldWide Electric Corporation

1 (800) 808-2131

Worldwideelectric.net



DIMENSION - INCHES

MOUNTING					A	B	C	D	G	J	P	O	T	AB
E	2F1	2F	H	BA										
2.75	--	4	0.34	2.25	6.535	5.394	12.291	3.5	0.433	0.984	7.717	7.6	1.417	6.491

SHAFT & KEY					
S	ES	R	N-W	AH	U
0.188	1.41	0.771	2.25	2.12	0.875

TERMINAL BOX				
AA	XB	XC	XD	XF
3/4	1.61	4.55	4.094	4.256

FLANGE					
AJ	AK	BB	BD	BF	BC
5.875	4.5	0.16	6.496	3/8-16	0.12

PERFORMANCE CURVES

WorldWide Electric Corporation

1 (800) 808-2131

Worldwideelectric.net

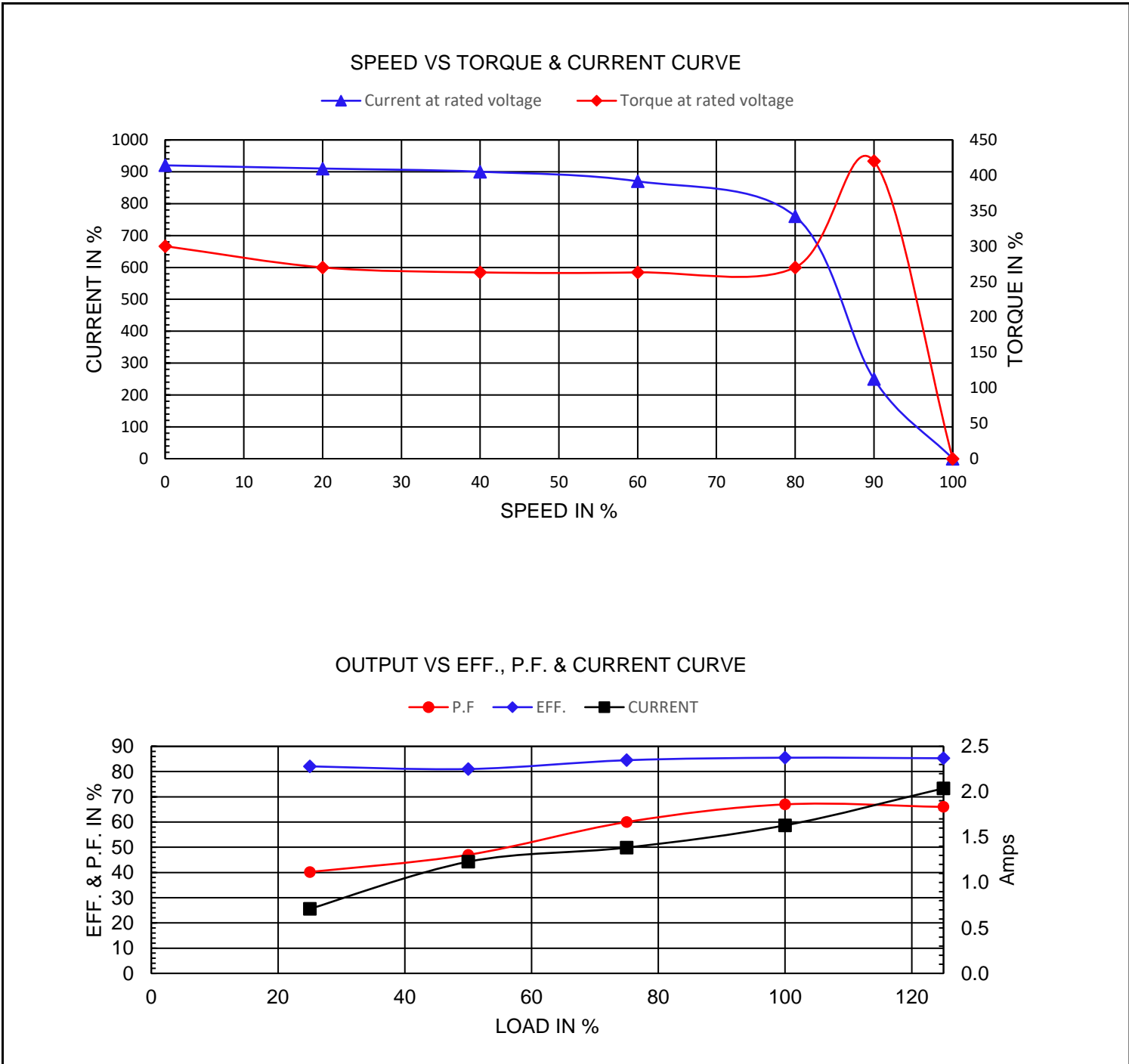


Premium Efficiency Motor:

PEWWE1-18-143TC

Document Generated:	1-Aug-2023	Customer:	
Document ID:			

Motor Type	PEWWE		
Output Rating (HP)	1	FL Speed	1755
Full Load Torque	2.99 lb.ft	LRT (%FLT)	300
		460 volt FLA	1.63
Rotor Wk ²	0.0809 lb-ft ²	BDT (%FLT)	420
		230 volt FLA	3.27



NAMEPLATE / WIRING

Premium Efficiency Motor: **PEWWE1-18-143TC**

WorldWide Electric Corporation

1 (800) 808-2131

Worldwideelectric.net



Document Generated: 1-Aug-2023
Document ID:

Customer:

SAMPLE NAMEPLATE DATA

		NEMA Premium		3-PHASE INDUCTION MOTOR		259277		CE	CC006A
Model				Ser No.				Low Voltage 4 5 6 7 8 9 1 2 3 L1 L2 L3	
HP	S.F.			IP			Encl		
Frame	P.F.			Code			Type		
Voltage	230/460	Hz			Ins Cl			Rating	°C Amb Cont
Amps			RPM			Design			Date
Nom.Eff.	FL	% 3/4	%	230/460V	10:1 CT	20:1 VT	PWM VFD	1.0SF	
Class I DIV. 2 Groups A B C D				Amb.40°C	T3C(160°C)		DE Brng		
Class I Zone 2 IIC				Amb.55°C	T3A(180°C)		ODE Brng		
						Grease type:			
50Hz	HP	V	A	rpm	S.F1.0				
WorldWide Electric Corporation									

Model	PEWWE1-18-143TC									
HP	1	S.F.	1.25	IP	IP55	Encl	TEFC			
Frame	143TC	P.F.	0.67	Code	N	Type				
Voltage	230/460 V	Hz	60 Hz	Ins Cl	F	Ambient	40°C			
Amps	3.27/1.63	RPM	1755	Design	B	DE Brng	6205ZZ C3			
Nom.Eff.	FL	85.5%	3/4	84.5%	ODE Brng		6205ZZ C3			
Class 1 Division 2 Groups A,B,C,D					T3C(160°C)		Grease type: --			
50Hz	1 HP	200/400 V	4.04/2.02	A	1450 rpm					