

DATA SHEET

Premium Efficiency Motor: **PEWWE1-18-575-143T**

60 Hz

WorldWide Electric Corporation

1 (800) 808-2131

Worldwideelectric.net



Document Generated: 15-Feb-2023

Document ID:

Customer:

MOTOR INFORMATION

HP	1
RPM	1800
Phase	3
Frequency	60 Hz
Voltage	575 V
Frame Size	143T
Enclosure	TEFC
Degree of Protection	IP55
Service Factor	1.25
Poles	4
Full Load Speed	1755
Insulation Class	F
Temp Rise	80°C
NEMA Code Letter	N
Duty Cycle	S1 / Continuous
Slip	2.50%
NEMA Design	B
Moment of Inertia	0.0809 lb.ft.^2
Locked Rotor Time (Hot)	12 seconds
Sound Pressure Level	60 dB(A)
Number of Starts	2 Cold/ 1 Hot
Max Ambient Temperature	40°C
Max Elevation	1000 m.a.s.l (3300 f.a.s.l)
Mounting	F1
Rotation	Bi-Directional
Area of Classification	Class I, Division 2, Groups A, B, C, D
Inverter Rating	10:1 CT / 20:1 VT PWM Type
Standard	NEMA MG-1
Approvals	CSA-US, CE

EFFICIENCY/POWER FACTOR

LOAD	EFF	P. F.
100%	85.5 %	0.67
75%	84.5 %	0.60
50%	81.0 %	0.47

TORQUE

FULL LOAD	LRT	BDT
2.99 lb.ft.	300 %	420 %

AMPERAGE INFORMATION

	575V	
Full Load Amps	1.31A	
Locked Rotor Amps	12A	
No Load Current	0.95A	

BEARING INFORMATION

DE Bearing	6205ZZ C3
ODE Bearing	6205ZZ C3
Grease Type	SKF LGHP 2
DE Regreasing Interval	- Hours
ODE Regreasing Interval	- Hours

ADDITIONAL DATA

F2 Suitable	Yes
Shaft Material	1045 Carbon Steel
Connection Diagram	575V - 3 Lead Y
Approximate Weight	39.2 lbs.

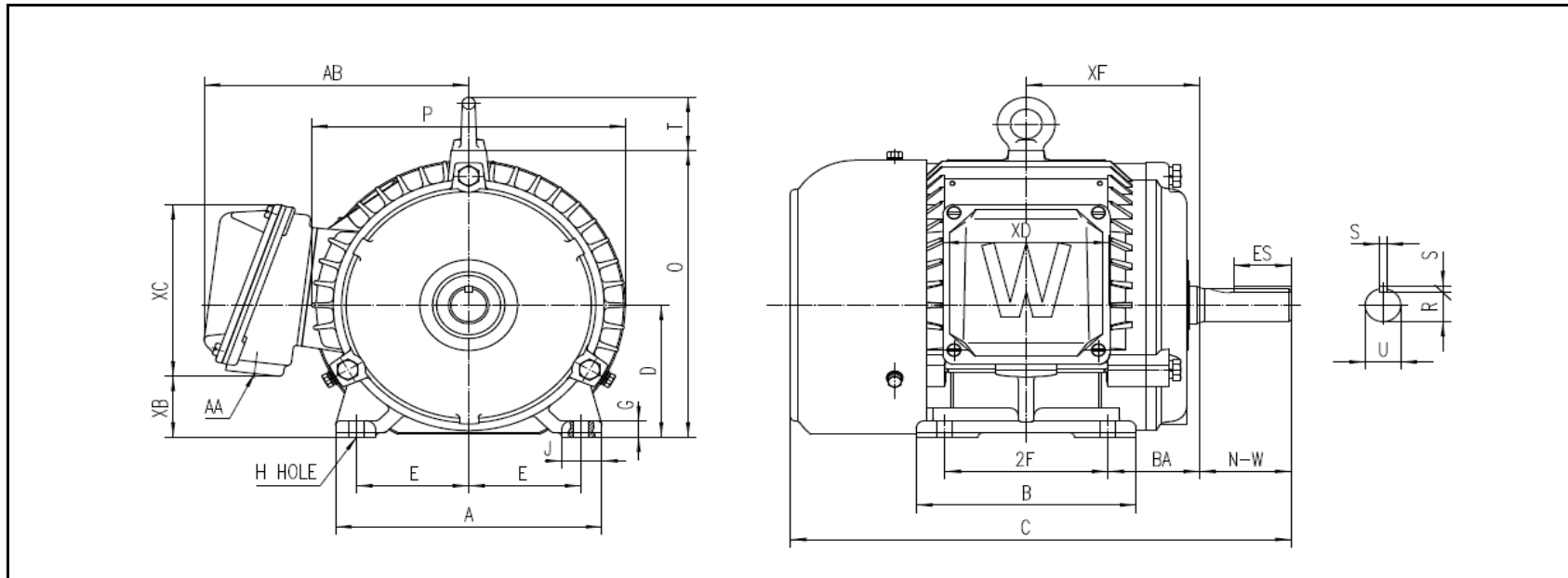
MOTOR DRAWING

Premium Efficiency Motor: **PEWWE1-18-575-143T**

WorldWide Electric Corporation

1 (800) 808-2131

Worldwideelectric.net



DIMENSION - INCHES

MOUNTING					A	B	C	D	G	J	P	O	T	AB
E	2F1	2F	H	BA										
2.75	--	4	0.34	2.25	6.535	5.394	12.291	3.5	0.433	0.984	7.717	7.6	1.417	6.491

SHAFT & KEY				
S	ES	R	N-W	U
0.188	1.41	0.771	2.25	0.875

TERMINAL BOX				
AA	XB	XC	XD	XF
0.75	1.61	4.55	4.094	4.256

PERFORMANCE CURVES

WorldWide Electric Corporation

1 (800) 808-2131

Worldwideelectric.net



Premium Efficiency Motor:

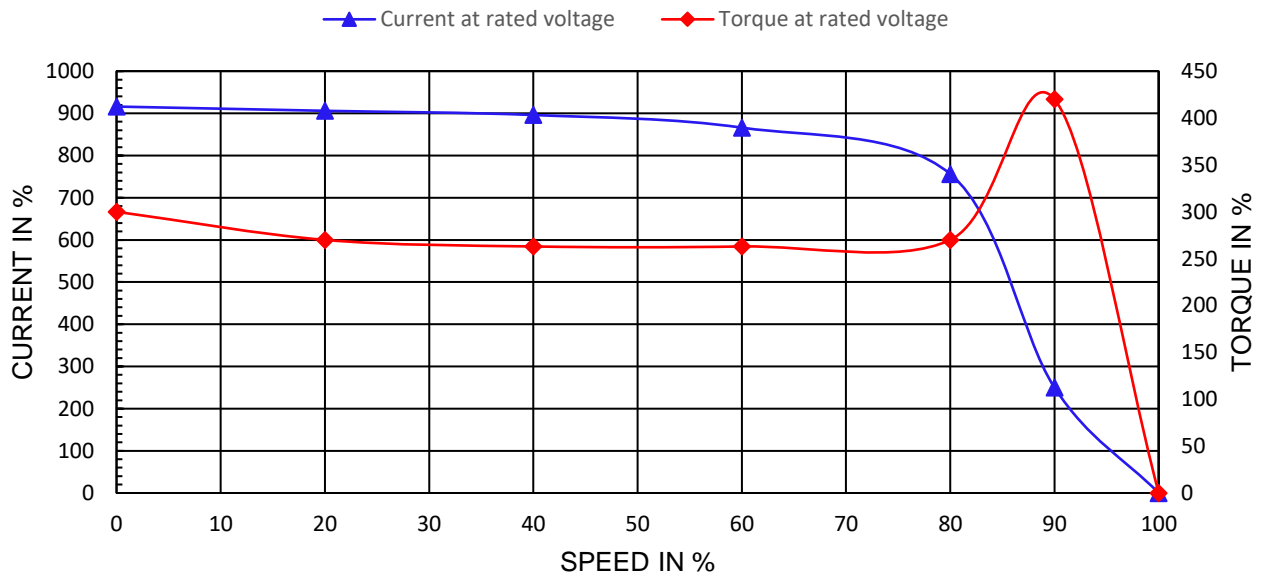
PEWWE1-18-575-143T

Document Generated: 15-Feb-2023
 Document ID:

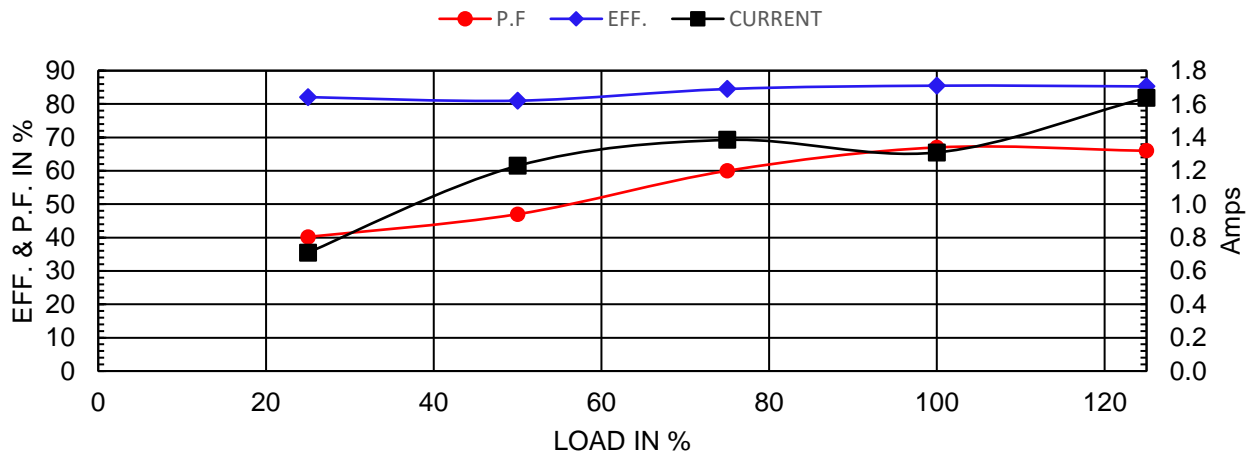
Customer:

Motor Type	PEWWE			FL Speed	1755
Output Rating (HP)	1			LRT (%FLT)	300
Full Load Torque	300	lb.ft		BDT (%FLT)	420
Rotor Wk ²	2.5	lb-ft ²		575 Volt FLA	1.31A

SPEED VS TORQUE & CURRENT CURVE



OUTPUT VS EFF., P.F. & CURRENT CURVE



NAMEPLATE / WIRING

WorldWide Electric Corporation

1 (800) 808-2131

Worldwideelectric.net



Premium Efficiency Motor: **PEWWE1-18-575-143T**

Document Generated: 15-Feb-2023
Document ID:

Customer:

SAMPLE NAMEPLATE DATA

	NEMA Premium	3-PHASE INDUCTION MOTOR	259277 	CE CC006A	
Model	Ser No.				
HP	S.F.	IP	Encl	Connection ① ② ③ L1 L2 L3	
Frame	P.F.	Code	Type		
Voltage	Hz	Ins Cl	Rating °C Amb Cont		
Amps	RPM	Design	Date		
Nom. Eff.	FL	% 3/4	%	V	10:1 CT 20:1 VT PWM VFD 1.0SF
Class I DIV. 2 Groups A B C D		Amb.40°C	T3C(160°C)	DE Brng	
Class I Zone 2 IIC		Amb.55°C	T3A(180°C)	ODE Brng	
				Grease type:	
				50Hz HP V A rpm S.F1.0	
WorldWide Electric Corporation					

Model	PEWWE1-18-575-143T				
HP	1	S.F.	1.25	IP	IP55
Frame	143T	P.F.	0.67	Code	N
Voltage	575 V	Hz	60 Hz	Ins Cl	F
Amps	1.31A	RPM	1755	Design	B
Nom. Eff.	FL	85.5%	3/4	84.5%	

Encl	TEFC
Amb.	40°C
DE Brng	6205ZZ C3
ODE Brng	6205ZZ C3

50Hz	1 HP	500 V	1.62 A	1450 RPM
------	------	-------	--------	----------