

DATA SHEET

Premium Efficiency Motor: **PEWWE1.5-12-182T**

60 Hz

WorldWide Electric Corporation

1 (800) 808-2131

Worldwideelectric.net



Document Generated: 31-Jul-2023

Document ID:

Customer:

MOTOR INFORMATION

HP	1.5
RPM	1200
Phase	3
Frequency	60 Hz
Voltage	230/460 V
Frame Size	182T
Enclosure	TEFC
Degree of Protection	IP55
Service Factor	1.25
Poles	6
Full Load Speed	1180
Insulation Class	F
Temp Rise	80°C
NEMA Code Letter	M
Duty Cycle	S1 / Continuous
Slip	1.67%
NEMA Design	B
Moment of Inertia	0.334 lb.ft.^2
Locked Rotor Time (Hot)	16 seconds
Sound Pressure Level	62 dB(A)
Number of Starts	2 Cold/ 1 Hot
Max Ambient Temperature	40°C
Max Elevation	1000 m.a.s.l (3300 f.a.s.l)
Mounting	F1
Rotation	Bi-Directional
Area of Classification	Class 1 Division 2 Groups A,B,C,D T3C(160°C)
Inverter Rating	10:1 CT / 20:1 VT PWM Type
Standard	NEMA MG-1
Approvals	CSA-US, CE

EFFICIENCY/POWER FACTOR

LOAD	EFF	P. F.
100%	87.5 %	0.68
75%	86.8 %	0.60
50%	84.1 %	0.46

TORQUE

FULL LOAD	LRT	BDT
6.67 lb.ft.	210 %	350 %

AMPERAGE INFORMATION

	230V	460V
Full Load Amps	4.72A	2.36A
Locked Rotor Amps	40A	20A
No Load Current	3.2A	1.6A
Usable at 208V	5.22A	

BEARING INFORMATION

DE Bearing	6206ZZ C3
ODE Bearing	6206ZZ C3
Grease Type	-
DE Regreasing Interval	- Hours
ODE Regreasing Interval	- Hours

ADDITIONAL DATA

F2 Suitable	Yes
Shaft Material	1045 Carbon Steel
Connection Diagram	230 / 460 V - 9 Lead Y
Approximate Weight	84 lbs.

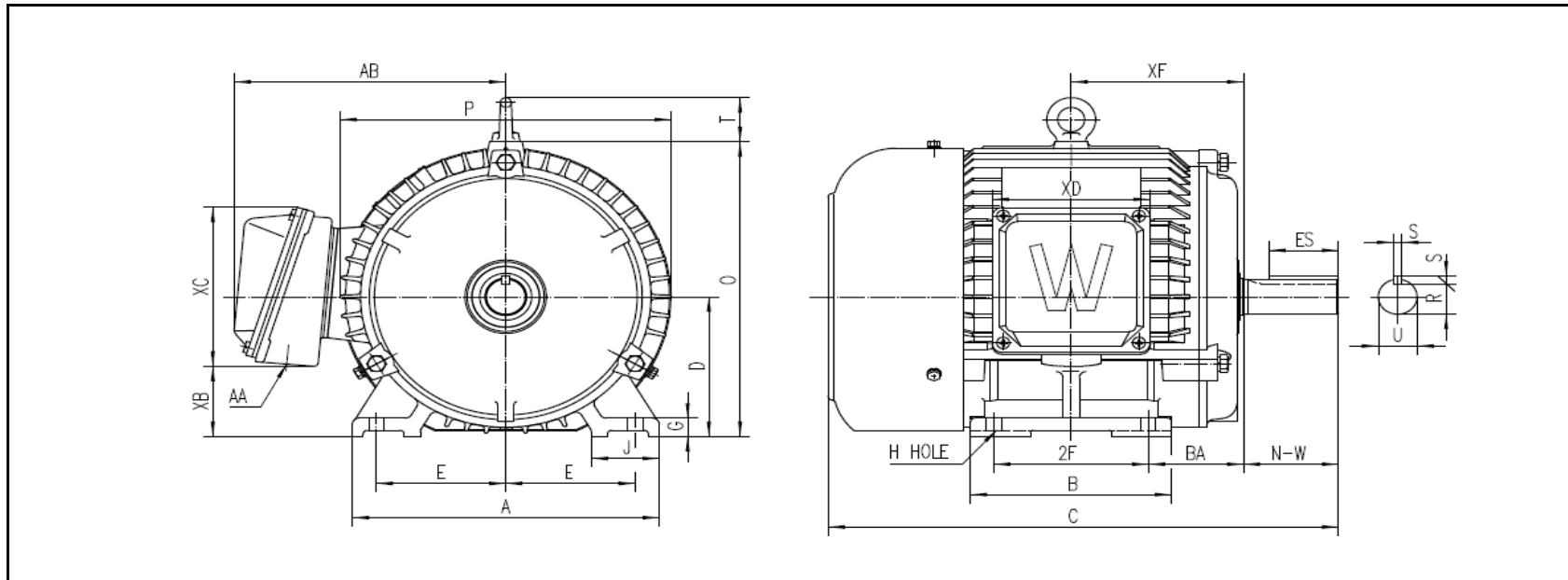
MOTOR DRAWING

Premium Efficiency Motor: **PEWWE1.5-12-182T**

WorldWide Electric Corporation

1 (800) 808-2131

Worldwideelectric.net



DIMENSION - INCHES

MOUNTING					A	B	C	D	G	J	P	O	T	AB
E	2F1	2F	H	BA										
3.75	-	4.5	0.41	2.75	8.898	5.827	14.803	4.5	0.591	1.969	9.606	9.5	1.417	7.876

SHAFT & KEY				
S	ES	R	N-W	U
0.25	1.78	0.986	2.75	1.125

TERMINAL BOX				
AA	XB	XC	XD	XF
1	2.26	5.124	4.567	4.997

PERFORMANCE CURVES

WorldWide Electric Corporation

1 (800) 808-2131

Worldwideelectric.net



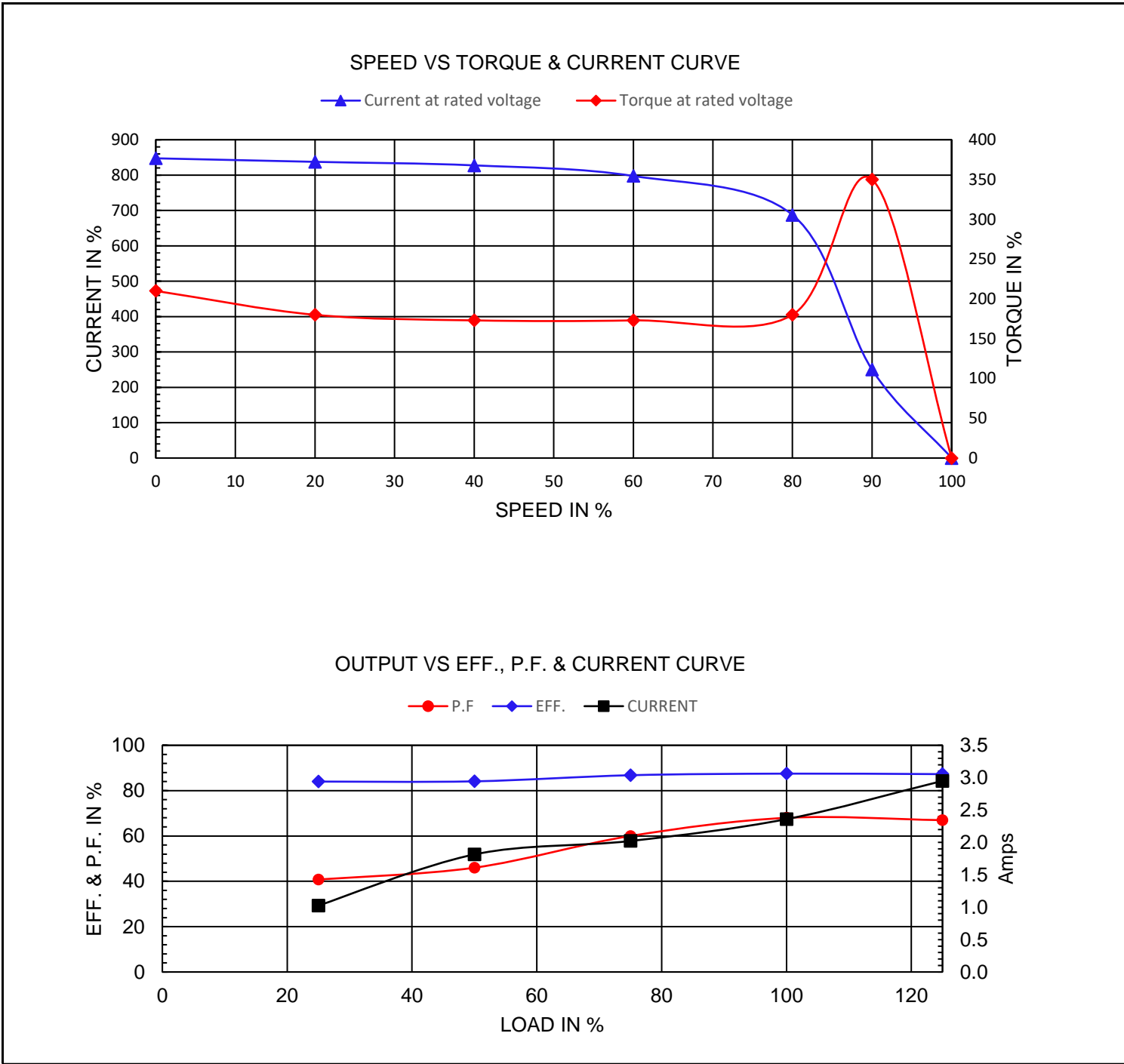
Premium Efficiency Motor:

PEWWE1.5-12-182T

Document Generated: 31-Jul-2023
 Document ID:

Customer:

Motor Type	PEWWE		FL Speed	1180		
Output Rating (HP)	1.5		LRT (%FLT)	210	460 volt FLA	2.36 A
Full Load Torque	6.67 lb.ft		BDT (%FLT)	350	230 volt FLA	4.72 A
Rotor Wk ²	0.334 lb-ft ²					



NAMEPLATE / WIRING

WorldWide Electric Corporation

1 (800) 808-2131

Worldwideelectric.net



Premium Efficiency Motor:

PEWWE1.5-12-182T

Document Generated: 31-Jul-2023
Document ID:

Customer:

SAMPLE NAMEPLATE DATA

		NEMA Premium		3-PHASE INDUCTION MOTOR		259277 		CC006A
Model				Ser No.				Low Voltage
HP		S.F.		IP		Encl		4 5 6 7 8 9 1 2 3 L1 L2 L3
Frame		P.F.		Code		Type		High Voltage
Voltage	230/460	Hz		Ins Cl		Rating	°C Amb Cont	4 5 6 7 8 9 1 2 3 L1 L2 L3
Amps		RPM		Design		Date		
Nom. Eff.	FL	% 3/4	% 230/460V	10:1 CT	20:1 VT	PWM VFD	1.0SF	
Class I DIV. 2 Groups A B C D				Amb.40°C	T3C(160°C)	DE Brng		
Class I Zone 2 IIC				Amb.55°C	T3A(180°C)	ODE Brng		
						Grease type:		
50Hz		HP	V	A	rpm	S.F1.0		
WorldWide Electric Corporation								

Model	PEWWE1.5-12-182T								
HP	1.5	S.F.	1.25	IP	IP55	Encl	TEFC		
Frame	182T	P.F.	0.68	Code	M	Type			
Voltage	230/460 V	Hz	60 Hz	Ins Cl	F	Ambient	40°C		
Amps	4.72/2.36	RPM	1180	Design	B	DE Brng 6206ZZ C3			
Nom. Eff.	FL	87.5%	3/4	86.8%	ODE Brng 6206ZZ C3				
Class 1 Division 2 Groups A,B,C,D					T3C(160°C)	Grease type: -			
50Hz	1.5 HP	200/400 V	6.08/3.04	A	970 rpm				