

DATA SHEET

Premium Efficiency Motor: **PEWWE1.5-18-575-145T**

60 Hz

WorldWide Electric Corporation

1 (800) 808-2131

Worldwideelectric.net



Document Generated: 15-Feb-2023
Document ID:

Customer:

| MOTOR INFORMATION | |
|-------------------------|--|
| HP | 1.5 |
| RPM | 1800 |
| Phase | 3 |
| Frequency | 60 Hz |
| Voltage | 575 V |
| Frame Size | 145T |
| Enclosure | TEFC |
| Degree of Protection | IP55 |
| Service Factor | 1.25 |
| Poles | 4 |
| Full Load Speed | 1755 |
| Insulation Class | F |
| Temp Rise | 80°C |
| NEMA Code Letter | M |
| Duty Cycle | S1 / Continuous |
| Slip | 2.50% |
| NEMA Design | B |
| Moment of Inertia | 0.0908 lb.ft.^2 |
| Locked Rotor Time (Hot) | 14 seconds |
| Sound Pressure Level | 60 dB(A) |
| Number of Starts | 2 Cold/ 1 Hot |
| Max Ambient Temperature | 40°C |
| Max Elevation | 1000 m.a.s.l (3300 f.a.s.l) |
| Mounting | F1 |
| Rotation | Bi-Directional |
| Area of Classification | Class I, Division 2, Groups A, B, C, D |
| Inverter Rating | 10:1 CT / 20:1 VT PWM Type |
| Standard | NEMA MG-1 |
| Approvals | CSA-US, CE |

| EFFICIENCY/POWER FACTOR | | |
|-------------------------|--------|-------|
| LOAD | EFF | P. F. |
| 100% | 86.5 % | 0.73 |
| 75% | 86.2 % | 0.63 |
| 50% | 83.2 % | 0.49 |

| TORQUE | | |
|-------------|-------|-------|
| FULL LOAD | LRT | BDT |
| 4.49 lb.ft. | 280 % | 390 % |

| AMPERAGE INFORMATION | | |
|----------------------|-------|--|
| | 575V | |
| Full Load Amps | 1.78A | |
| Locked Rotor Amps | 16A | |
| No Load Current | 1.15A | |

| BEARING INFORMATION | |
|-------------------------|------------|
| DE Bearing | 6205ZZ C3 |
| ODE Bearing | 6205ZZ C3 |
| Grease Type | SKF LGHP 2 |
| DE Regreasing Interval | - Hours |
| ODE Regreasing Interval | - Hours |

| ADDITIONAL DATA | |
|--------------------|-------------------|
| F2 Suitable | Yes |
| Shaft Material | 1045 Carbon Steel |
| Connection Diagram | 575V - 3 Lead Y |
| Approximate Weight | 52.8 lbs. |

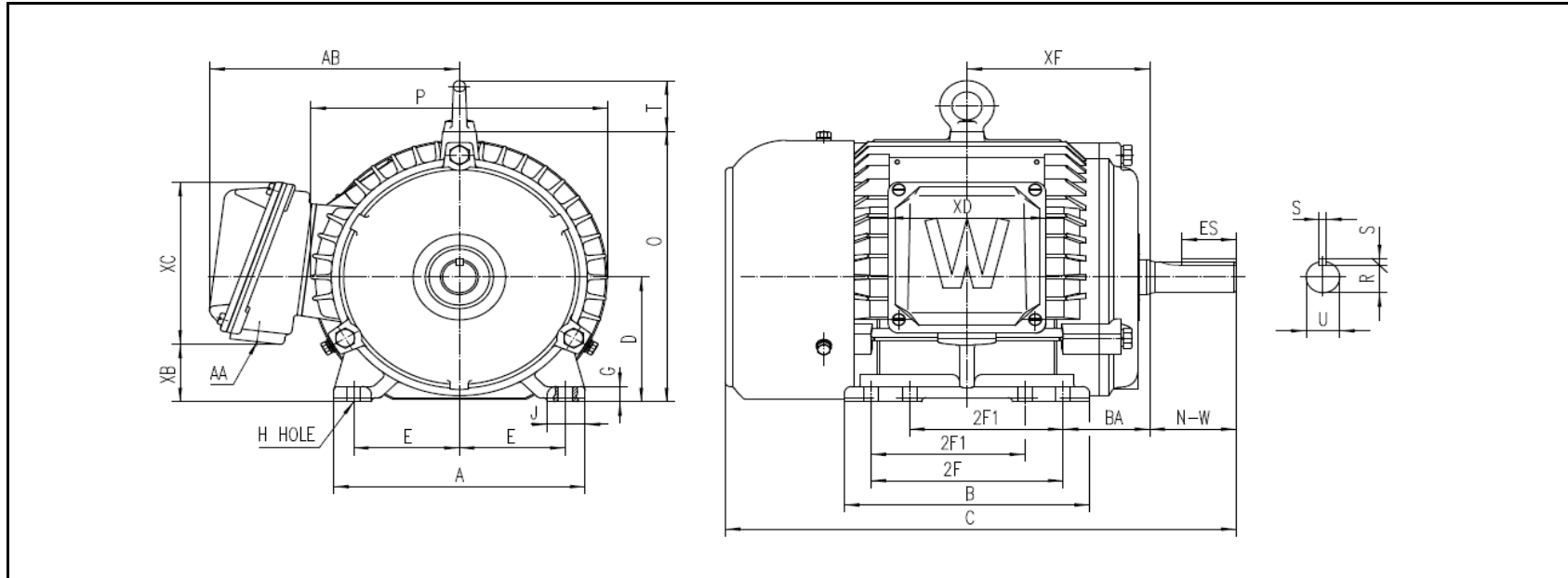
MOTOR DRAWING

Premium Efficiency Motor: **PEWWE1.5-18-575-145T**

WorldWide Electric Corporation

1 (800) 808-2131

Worldwideelectric.net



DIMENSION - INCHES

| MOUNTING | | | | | A | B | C | D | G | J | P | O | T | AB |
|----------|-----|----|------|------|-------|-------|--------|-----|-------|-------|-------|-----|-------|-------|
| E | 2F1 | 2F | H | BA | | | | | | | | | | |
| 2.75 | 4 | 5 | 0.34 | 2.25 | 6.535 | 6.378 | 13.276 | 3.5 | 0.433 | 0.984 | 7.717 | 7.6 | 1.417 | 6.491 |

| SHAFT & KEY | | | | |
|-------------|------|-------|------|-------|
| S | ES | R | N-W | U |
| 0.188 | 1.41 | 0.771 | 2.25 | 0.875 |

| TERMINAL BOX | | | | |
|--------------|------|------|-------|-------|
| AA | XB | XC | XD | XF |
| 0.75 | 1.61 | 4.55 | 4.094 | 4.748 |

PERFORMANCE CURVES

WorldWide Electric Corporation

1 (800) 808-2131

Worldwideelectric.net



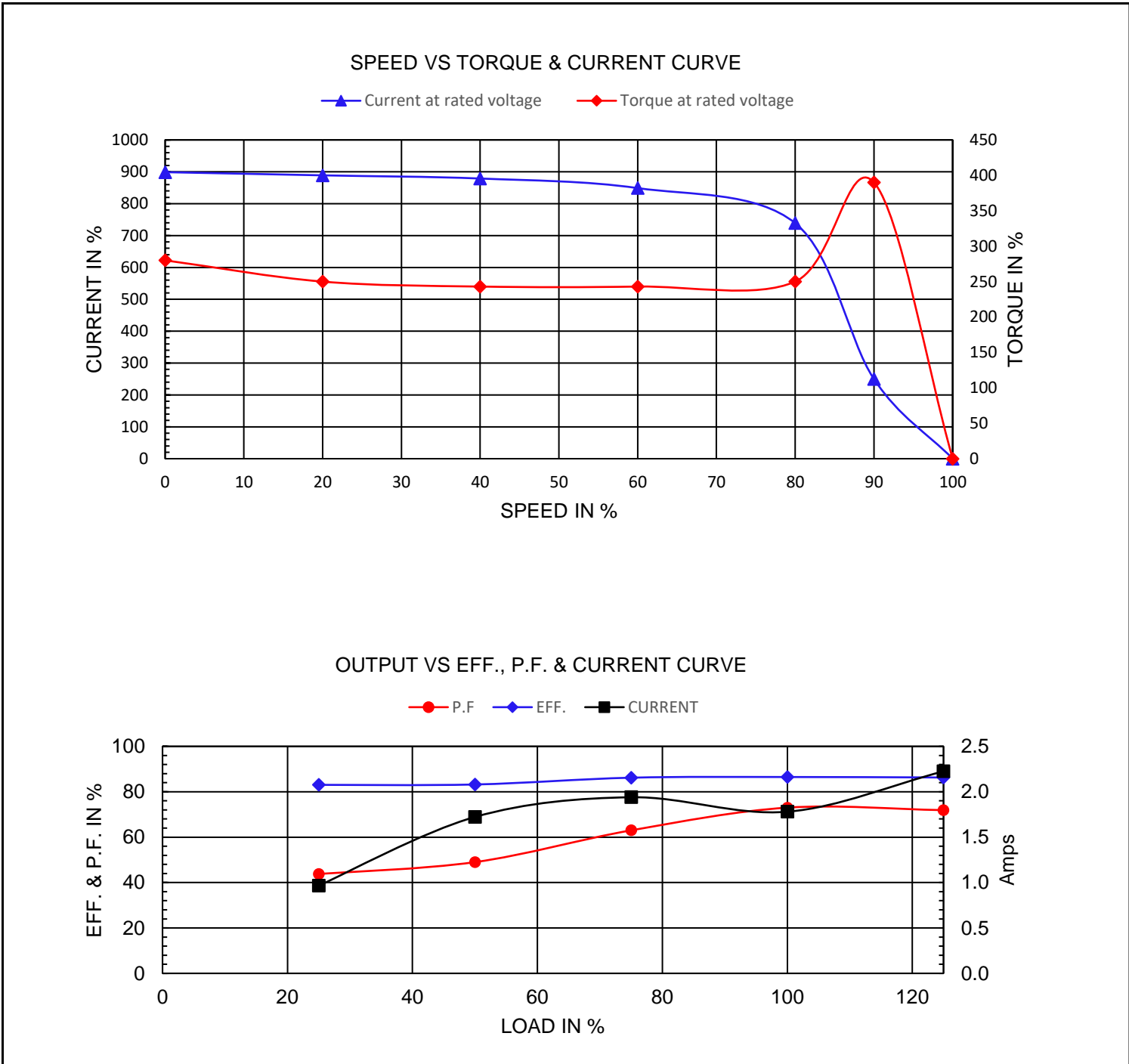
Premium Efficiency Motor:

PEWWE1.5-18-575-145T

Document Generated: 15-Feb-2023
 Document ID:

Customer:

| | | | |
|-----------------------|------------------------|--------------|-------|
| Motor Type | PEWWE | | |
| Output Rating (HP) | 1.5 | FL Speed | 1755 |
| Full Load Torque | 280 lb.ft | LRT (%FLT) | 280 |
| Rotor Wk ² | 2.5 lb-ft ² | BDT (%FLT) | 390 |
| | | 575 Volt FLA | 1.78A |



NAMEPLATE / WIRING

WorldWide Electric Corporation

1 (800) 808-2131

Worldwideelectric.net



Premium Efficiency Motor: **PEWWE1.5-18-575-145T**

Document Generated: 15-Feb-2023
Document ID:

Customer:

SAMPLE NAMEPLATE DATA

| | | | | | | | |
|---------------------------------------|----|---------------------|------------|--------------------------------|---------|------------|---------------------|
| | | NEMA Premium | | 3-PHASE INDUCTION MOTOR | | 259277 | CE CC006A |
| Model | | | | Ser No. | | | |
| HP | | S.F. | | IP | | Encl | |
| Frame | | P.F. | | Code | | Type | |
| Voltage | | Hz | | Ins Cl | | Rating | °C Amb Cont |
| Amps | | RPM | | Design | | Date | |
| Nom. Eff. | FL | % 3/4 | % | V | 10:1 CT | 20:1 VT | PWM VFD 1.0SF |
| Class I DIV. 2 Groups A B C D | | Amb.40°C | T3C(160°C) | DE Brng | | | |
| Class I Zone 2 IIC | | Amb.55°C | T3A(180°C) | ODE Brng | | | |
| | | | | Grease type: | | | |
| | | | | | | | |
| 50Hz | | HP | V | A | rpm | S.F1.0 | |
| WorldWide Electric Corporation | | | | | | | |

| | | | | | | | |
|------------------|----------------------|-------------|-------|---------------|------|-----------------|-----------|
| Model | PEWWE1.5-18-575-145T | | | | | | |
| HP | 1.5 | S.F. | 1.25 | IP | IP55 | Encl | TEFC |
| Frame | 145T | P.F. | 0.73 | Code | M | Amb. | 40°C |
| Voltage | 575 V | Hz | 60 Hz | Ins Cl | F | DE Brng | 6205ZZ C3 |
| Amps | 1.78A | RPM | 1755 | Design | B | ODE Brng | 6205ZZ C3 |
| Nom. Eff. | FL | 86.5% | 3/4 | 86.2% | | | |

| | | | | |
|-------------|---------------|--------------|---------------|-----------------|
| 50Hz | 1.5 HP | 500 V | 2.17 A | 1450 RPM |
|-------------|---------------|--------------|---------------|-----------------|