

DATA SHEET

Premium Efficiency Motor: **PEWWE1.5-36-143T**

60 Hz

WorldWide Electric Corporation

1 (800) 808-2131

Worldwideelectric.net



Document Generated: 31-Jul-2023
Document ID:

Customer:

MOTOR INFORMATION	
HP	1.5
RPM	3600
Phase	3
Frequency	60 Hz
Voltage	230/460 V
Frame Size	143T
Enclosure	TEFC
Degree of Protection	IP55
Service Factor	1.25
Poles	2
Full Load Speed	3490
Insulation Class	F
Temp Rise	80°C
NEMA Code Letter	M
Duty Cycle	S1 / Continuous
Slip	3.05%
NEMA Design	B
Moment of Inertia	0.0412 lb.ft.^2
Locked Rotor Time (Hot)	15 seconds
Sound Pressure Level	60 dB(A)
Number of Starts	2 Cold/ 1 Hot
Max Ambient Temperature	40°C
Max Elevation	1000 m.a.s.l (3300 f.a.s.l)
Mounting	F1
Rotation	Bi-Directional
Area of Classification	Class 1 Division 2 Groups A,B,C,D T3C(160°C)
Inverter Rating	10:1 CT / 20:1 VT PWM Type
Standard	NEMA MG-1
Approvals	CSA-US, CE

EFFICIENCY/POWER FACTOR		
LOAD	EFF	P. F.
100%	84.0 %	0.8
75%	84.5 %	0.74
50%	82.9 %	0.61

TORQUE		
FULL LOAD	LRT	BDT
2.26 lb.ft.	230 %	320 %

AMPERAGE INFORMATION		
	230V	460V
Full Load Amps	4.18A	2.09A
Locked Rotor Amps	40A	20A
No Load Current	2.5A	1.25A
Usable at 208V	4.62A	

BEARING INFORMATION	
DE Bearing	6205ZZ C3
ODE Bearing	6205ZZ C3
Grease Type	-
DE Regreasing Interval	- Hours
ODE Regreasing Interval	- Hours

ADDITIONAL DATA	
F2 Suitable	Yes
Shaft Material	1045 Carbon Steel
Connection Diagram	230 / 460 V - 9 Lead Y
Approximate Weight	44.6 lbs.

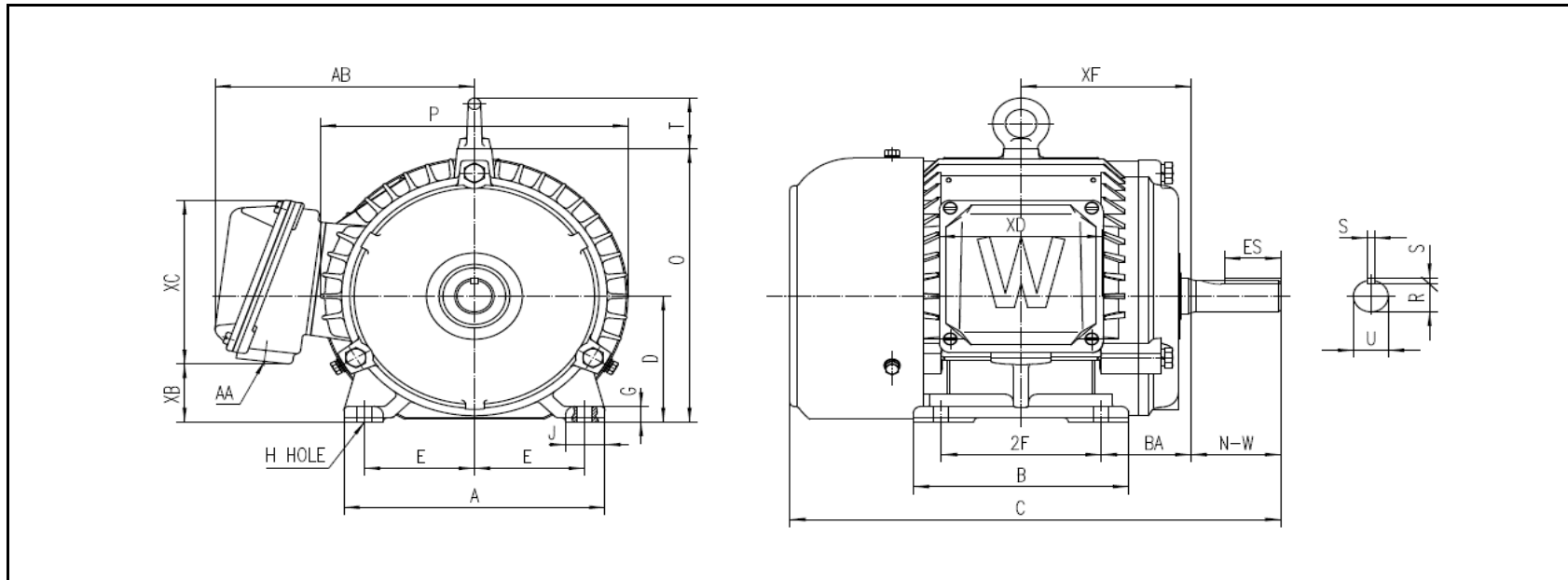
MOTOR DRAWING

Premium Efficiency Motor: **PEWWE1.5-36-143T**

WorldWide Electric Corporation

1 (800) 808-2131

Worldwideelectric.net



DIMENSION - INCHES

MOUNTING					A	B	C	D	G	J	P	O	T	AB
E	2F1	2F	H	BA										
2.75	--	4	0.34	2.25	6.535	5.394	12.291	3.5	0.433	0.984	7.717	7.6	1.417	6.491

SHAFT & KEY				
S	ES	R	N-W	U
0.188	1.41	0.771	2.25	0.875

TERMINAL BOX				
AA	XB	XC	XD	XF
3/4	1.61	4.55	4.094	4.256

PERFORMANCE CURVES

WorldWide Electric Corporation

1 (800) 808-2131

Worldwideelectric.net

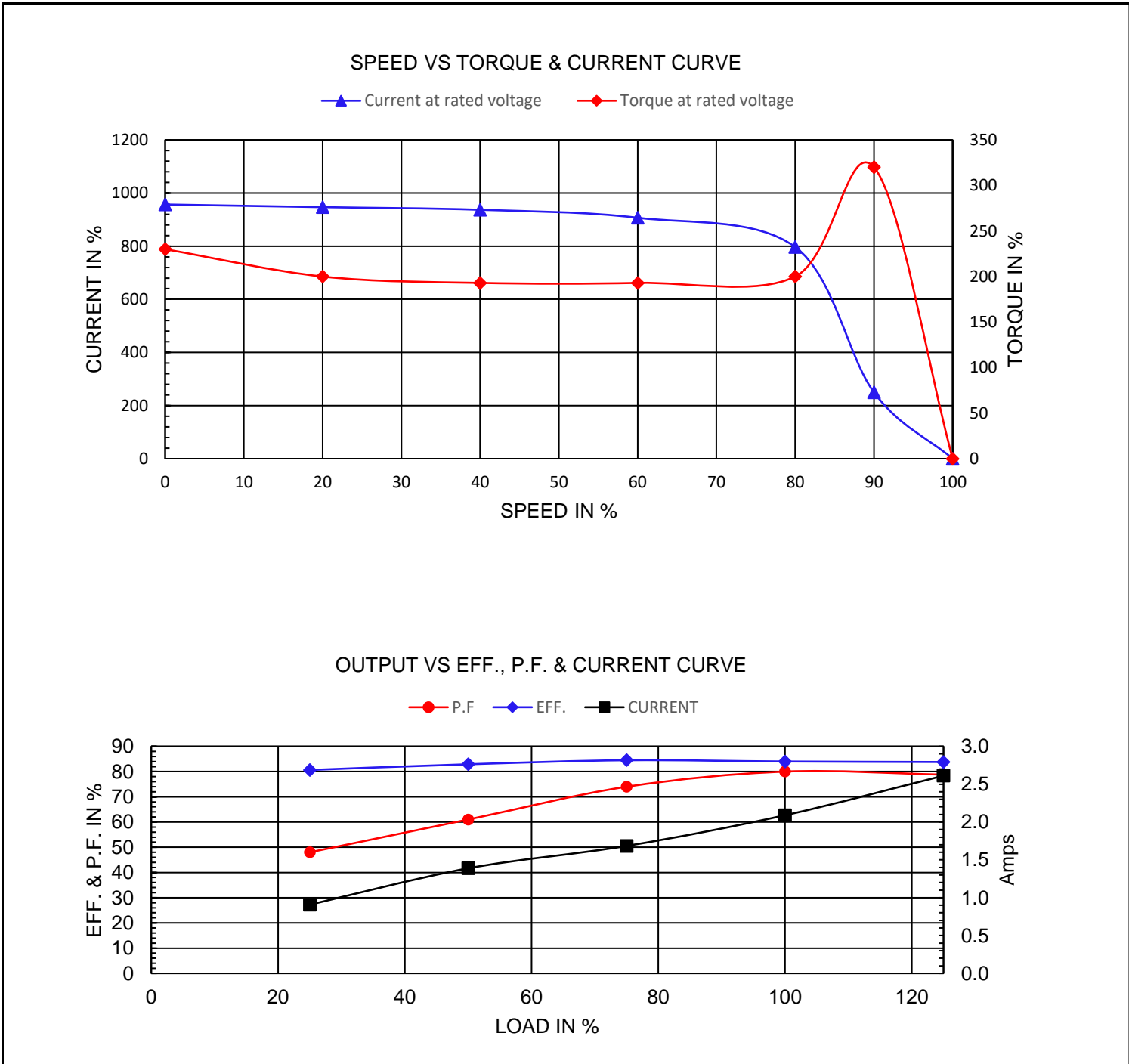


Premium Efficiency Motor:

PEWWE1.5-36-143T

Document Generated:	31-Jul-2023	Customer:	
Document ID:			

Motor Type	PEWWE		
Output Rating (HP)	1.5	FL Speed	3490
Full Load Torque	2.26 lb.ft	LRT (%FLT)	230
Rotor Wk^2	0.0412 lb-ft^2	BDT (%FLT)	320
		460 volt FLA	2.09 A
		230 volt FLA	4.18 A



NAMEPLATE / WIRING

WorldWide Electric Corporation

1 (800) 808-2131

Worldwideelectric.net



Premium Efficiency Motor:

PEWWE1.5-36-143T

Document Generated: 31-Jul-2023
Document ID:

Customer:

SAMPLE NAMEPLATE DATA

		NEMA Premium		3-PHASE INDUCTION MOTOR		259277 	CE CC006A												
Model			Ser No.			Low Voltage													
HP	S.F.		IP		Encl	<table border="1"> <tr><td>4</td><td>5</td><td>6</td></tr> <tr><td>7</td><td>8</td><td>9</td></tr> <tr><td>1</td><td>2</td><td>3</td></tr> <tr><td>L1</td><td>L2</td><td>L3</td></tr> </table>		4	5	6	7	8	9	1	2	3	L1	L2	L3
4	5	6																	
7	8	9																	
1	2	3																	
L1	L2	L3																	
Frame	P.F.		Code		Type														
Voltage	230/460	Hz		Ins Cl	Rating	°C Amb Cont													
Amps		RPM		Design	Date														
Nom. Eff.	FL	% 3/4	% 230/460V	10:1 CT	20:1 VT	PWM	VFD 1.0SF												
Class I DIV. 2 Groups A B C D			Amb.40°C	T3C(160°C)	DE Brng														
Class I Zone 2 IIC			Amb.55°C	T3A(180°C)	ODE Brng														
			Grease type:																
50Hz	HP	V	A	rpm	S.F1.0														

Model	PEWWE1.5-36-143T						
HP	1.5	S.F.	1.25	IP	IP55	Encl	TEFC
Frame	143T	P.F.	0.8	Code	M	Type	
Voltage	230/460 V	Hz	60 Hz	Ins Cl	F	Ambient	40°C
Amps	4.18/2.09	RPM	3490	Design	B	DE Brng 6205ZZ C3	
Nom. Eff.	FL	84.0%	3/4	84.5%	ODE Brng 6205ZZ C3		
Class 1 Division 2 Groups A,B,C,D					T3C(160°C)	Grease type: -	
50Hz	1.5 HP	200/400 V	5.07/2.54	A	2875 rpm		