

DATA SHEET

Premium Efficiency Motor: **PEWWE10-18-215T**

60 Hz

WorldWide Electric Corporation

1 (800) 808-2131

Worldwideelectric.net



Document Generated: 31-Jul-2023
Document ID:

Customer:

| MOTOR INFORMATION | |
|-------------------------|----------------------------------------------|
| HP | 10 |
| RPM | 1800 |
| Phase | 3 |
| Frequency | 60 Hz |
| Voltage | 230/460 V |
| Frame Size | 215T |
| Enclosure | TEFC |
| Degree of Protection | IP55 |
| Service Factor | 1.25 |
| Poles | 4 |
| Full Load Speed | 1760 |
| Insulation Class | F |
| Temp Rise | 80°C |
| NEMA Code Letter | H |
| Duty Cycle | S1 / Continuous |
| Slip | 2.22% |
| NEMA Design | B |
| Moment of Inertia | 0.75 lb.ft.^2 |
| Locked Rotor Time (Hot) | 13 seconds |
| Sound Pressure Level | 64 dB(A) |
| Number of Starts | 2 Cold/ 1 Hot |
| Max Ambient Temperature | 40°C |
| Max Elevation | 1000 m.a.s.l (3300 f.a.s.l) |
| Mounting | F1 |
| Rotation | Bi-Directional |
| Area of Classification | Class 1 Division 2 Groups A,B,C,D T3C(160°C) |
| Inverter Rating | 10:1 CT / 20:1 VT PWM Type |
| Standard | NEMA MG-1 |
| Approvals | CSA-US, CE |

| EFFICIENCY/POWER FACTOR | | |
|-------------------------|--------|-------|
| LOAD | EFF | P. F. |
| 100% | 91.7 % | 0.84 |
| 75% | 91.9 % | 0.79 |
| 50% | 91.6 % | 0.69 |

| TORQUE | | |
|-------------|-------|-------|
| FULL LOAD | LRT | BDT |
| 29.8 lb.ft. | 170 % | 280 % |

| AMPERAGE INFORMATION | | |
|----------------------|-------|-------|
| | 230V | 460V |
| Full Load Amps | 24.3A | 12.2A |
| Locked Rotor Amps | 162A | 81A |
| No Load Current | 10A | 5A |
| Usable at 208V | 26.9A | |

| BEARING INFORMATION | |
|-------------------------|-----------|
| DE Bearing | 6308ZZ C3 |
| ODE Bearing | 6207ZZ C3 |
| Grease Type | - |
| DE Regreasing Interval | - Hours |
| ODE Regreasing Interval | - Hours |

| ADDITIONAL DATA | |
|--------------------|------------------------|
| F2 Suitable | No |
| Shaft Material | 1045 Carbon Steel |
| Connection Diagram | 230 / 460 V - 9 Lead Δ |
| Approximate Weight | 179 lbs. |

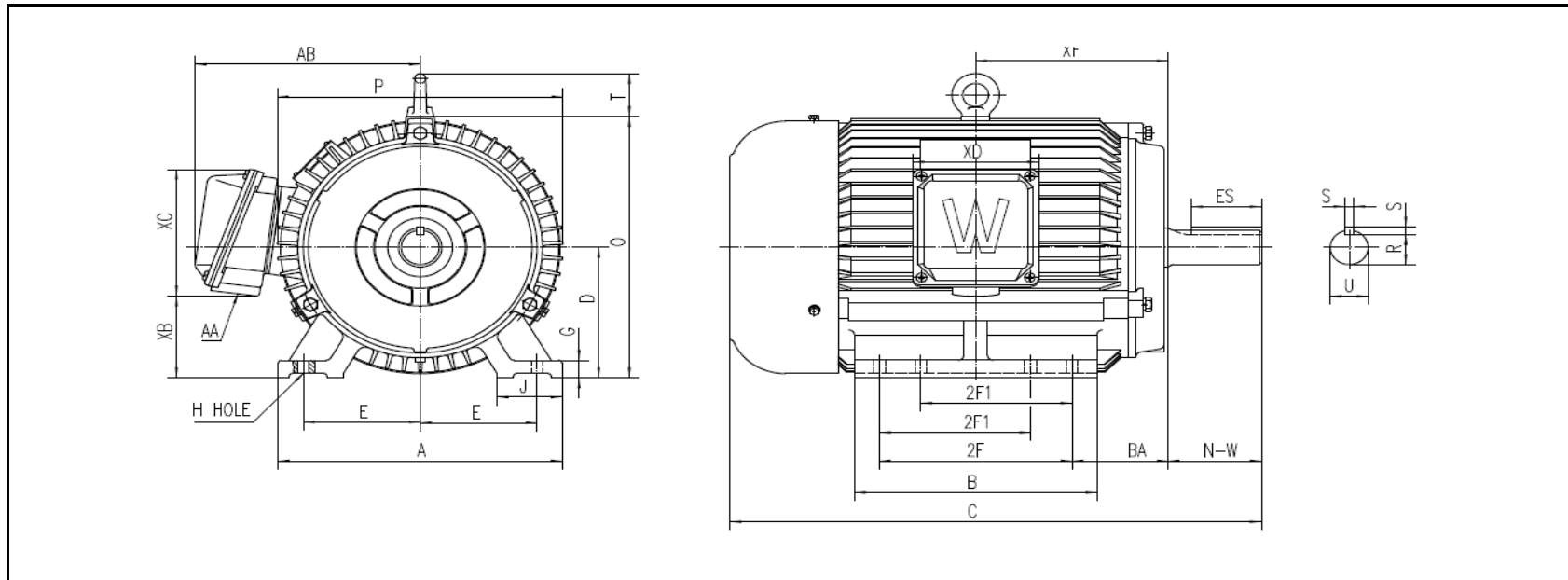
MOTOR DRAWING

Premium Efficiency Motor: **PEWWE10-18-215T**

WorldWide Electric Corporation

1 (800) 808-2131

Worldwideelectric.net



DIMENSION - INCHES

| MOUNTING | | | | | A | B | C | D | G | J | P | O | T | AB |
|----------|-----|----|------|-----|--------|-------|--------|------|-------|-------|--------|--------|-------|-------|
| E | 2F1 | 2F | H | BA | | | | | | | | | | |
| 4.25 | 5.5 | 7 | 0.41 | 3.5 | 10.315 | 8.819 | 19.319 | 5.25 | 0.709 | 2.362 | 10.389 | 10.526 | 1.732 | 8.178 |

| SHAFT & KEY | | | | |
|-------------|------|-------|------|-------|
| S | ES | R | N-W | U |
| 0.312 | 2.41 | 1.201 | 3.38 | 1.375 |

| TERMINAL BOX | | | | |
|--------------|-------|-------|-------|-------|
| AA | XB | XC | XD | XF |
| 1 | 3.296 | 5.098 | 4.567 | 7.002 |

PERFORMANCE CURVES

WorldWide Electric Corporation

1 (800) 808-2131

Worldwideelectric.net



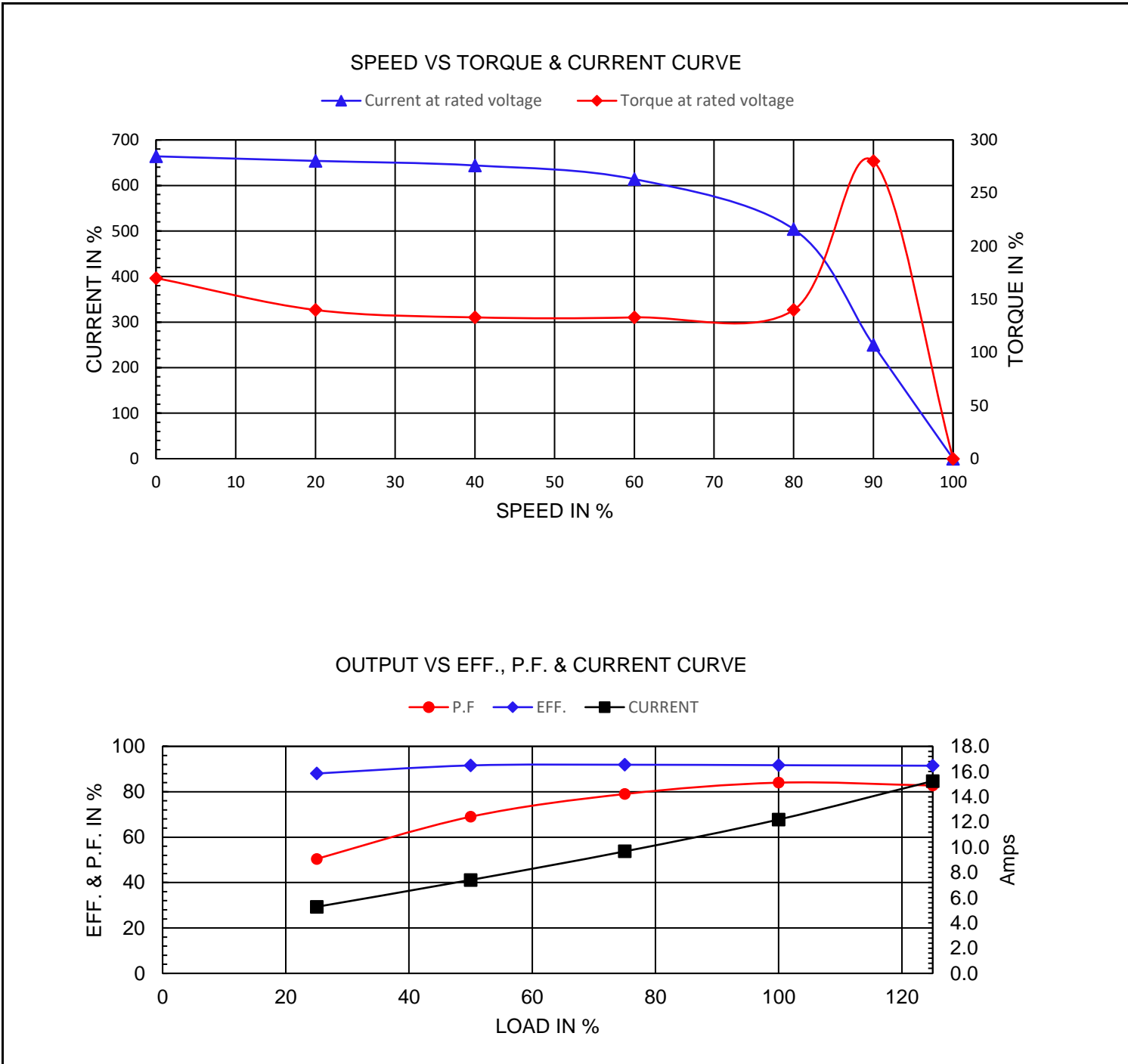
Premium Efficiency Motor:

PEWWE10-18-215T

Document Generated: 31-Jul-2023
 Document ID:

Customer:

| | | | | | | |
|-----------------------|-------------------------|--|------------|------|--------------|--------|
| Motor Type | PEWWE | | FL Speed | 1760 | | |
| Output Rating (HP) | 10 | | LRT (%FLT) | 170 | 460 volt FLA | 12.2 A |
| Full Load Torque | 29.8 lb.ft | | BDT (%FLT) | 280 | 230 volt FLA | 24.3 A |
| Rotor Wk ² | 0.75 lb-ft ² | | | | | |



NAMEPLATE / WIRING

WorldWide Electric Corporation

1 (800) 808-2131

Worldwideelectric.net



Premium Efficiency Motor:

PEWWE10-18-215T

Document Generated: 31-Jul-2023
Document ID:

Customer:

SAMPLE NAMEPLATE DATA

| | | | | | | | |
|---------------------------------------|---------|---------------------|------------|--------------------------------|-------------|------------|------------|
| | | NEMA Premium | | 3-PHASE INDUCTION MOTOR | | 259277 | CC006A |
| Model | | | | Ser No. | | | |
| HP | S.F. | IP | Encl | | | | |
| Frame | P.F. | Code | Type | | | | |
| Voltage | 230/460 | Hz | Ins Cl | Rating | °C Amb Cont | | |
| Amps | RPM | Design | Date | | | | |
| Nom.Eff. | FL | % 3/4 | % 230/460V | 10:1 CT | 20:1 VT | PWM VFD | 1.0SF |
| Class I DIV. 2 Groups A B C D | | | Amb.40°C | T3C(160°C) | DE Brng | | |
| Class I Zone 2 IIC | | | Amb.55°C | T3A(180°C) | ODE Brng | | |
| | | | | Grease type: | | | |
| 50Hz | HP | V | A | rpm | S.F1.0 | | |
| WorldWide Electric Corporation | | | | | | | |

| | | | | | | | |
|-----------------------------------|-----------------|-----------|-------------|----------|--------------------|-------------------|----------------|
| Model | PEWWE10-18-215T | | | | | | |
| HP | 10 | S.F. | 1.25 | IP | IP55 | Encl | TEFC |
| Frame | 215T | P.F. | 0.84 | Code | H | Type | |
| Voltage | 230/460 V | Hz | 60 Hz | Ins Cl | F | Ambient | 40°C |
| Amps | 24.3/12.2 | RPM | 1760 | Design | B | DE Brng 6308ZZ C3 | |
| Nom.Eff. | FL | 91.7% | 3/4 | 91.9% | ODE Brng 6207ZZ C3 | | |
| Class 1 Division 2 Groups A,B,C,D | | | | | T3C(160°C) | | Grease type: - |
| 50Hz | 10 HP | 200/400 V | 28.9/14.5 A | 1455 rpm | | | |