

# DATA SHEET

Premium Efficiency Motor: **PEWWE10-18-215TZ-GD,**

**60 Hz**

WorldWide Electric Corporation

1 (800) 808-2131

Worldwideelectric.net



Document Generated: 11-Dec-2023  
Document ID:

Customer:

MOTOR INFORMATION	
HP	10
RPM	1800
Phase	3
Frequency	60
Voltage	230/460
Frame Size	215TZ
Enclosure	TEFC
Degree of Protection	IP55
Service Factor	1.25
Poles	4
Full Load Speed	1760
Insulation Class	F
Temp Rise	80°C
NEMA Code Letter	H
Duty Cycle	S1 / Continuous
Slip	2.22%
NEMA Design	B
Moment of Inertia	0.75 lb.ft.^2
Locked Rotor Time (Hot)	13 seconds
Sound Pressure Level	64 dB(A)
Number of Starts	2 Cold / 1 Hot
Max Ambient Temperature	40°C
Max Elevation	1000 m.a.s.l (3300 f.a.s.l)
Mounting	F1
Rotation	Bi-Directional
Area of Classification	Class 1 Division 2 Groups A,B,C,D - T3C
Inverter Rating	10:1 CT / 20:1 VT
Standard	NEMA MG-1
Approvals	CSA, CE

EFFICIENCY/POWER FACTOR		
LOAD	EFF	P. F.
100%	91.7 %	0.84
75%	91.9 %	0.79
50%	91.6 %	0.69

TORQUE		
FULL LOAD	LRT	BDT
29.8 lb.ft.	170 %	390 %

AMPERAGE INFORMATION		
	230V	460V
Full Load Amps	24.3A	12.2A
Locked Rotor Amps	162A	81A
No Load Current	10A	5A

BEARING INFORMATION	
DE Bearing	6308ZZ C3
ODE Bearing	6207ZZ C3

ADDITIONAL DATA	
F2 Suitable	N
Shaft Material	1045 Carbon Steel
Connection Diagram	230 / 460 V - 9 Lead Δ
Lead Length	72 inches
Approximate Weight	181 lbs.

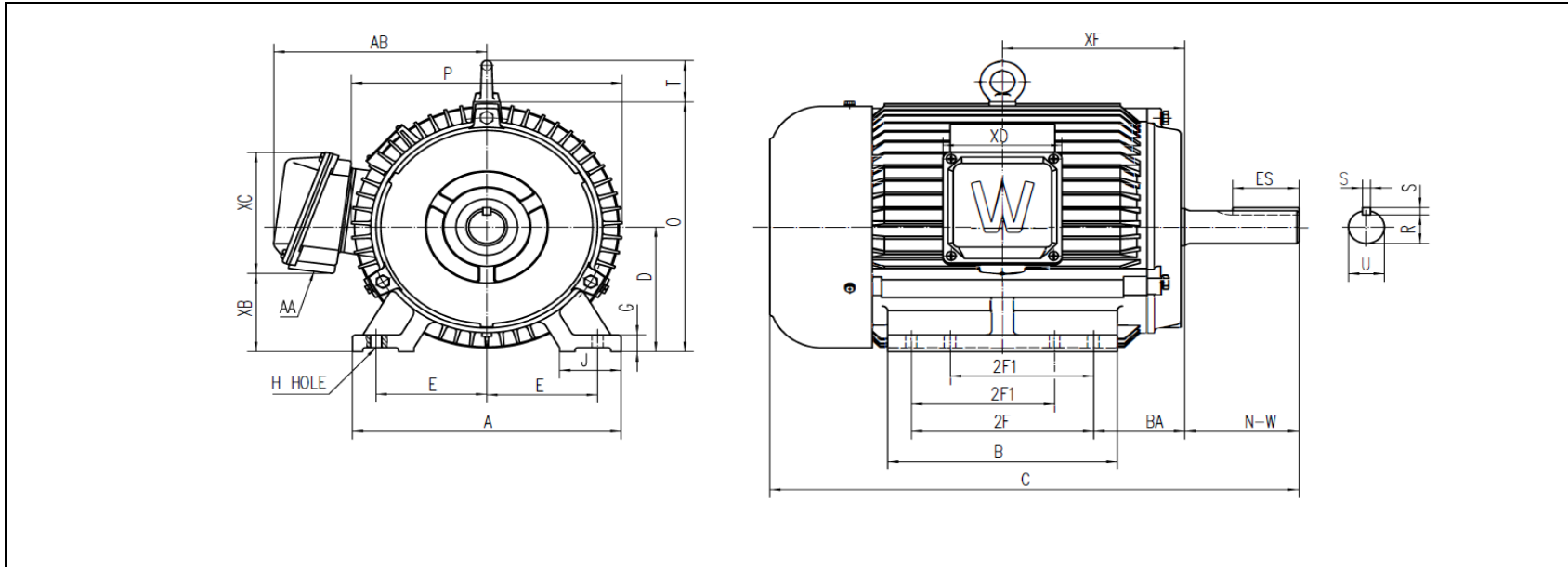
# MOTOR DRAWING

Premium Efficiency Motor: **PEWWE10-18-215TZ-GD**

WorldWide Electric Corporation

1 (800) 808-2131

Worldwideelectric.net



## DIMENSION - INCHES

MOUNTING					A	B	C	D	G	J	P	O	T	AB
E	2F1	2F2	H	BA										
4.25	5.5	7	0.41	3.5	10.315	8.819	20.319	5.25	0.709	2.362	10.389	10.526	1.732	8.178

SHAFT & KEY				
S	ES	R	N-W	U
0.312	2.41	1.201	4.38	1.375

TERMINAL BOX				
AA	XB	XC	XD	XE
1	3.296	5.098	4.567	7.002

# PERFORMANCE CURVES

WorldWide Electric Corporation

1 (800) 808-2131

Worldwideelectric.net



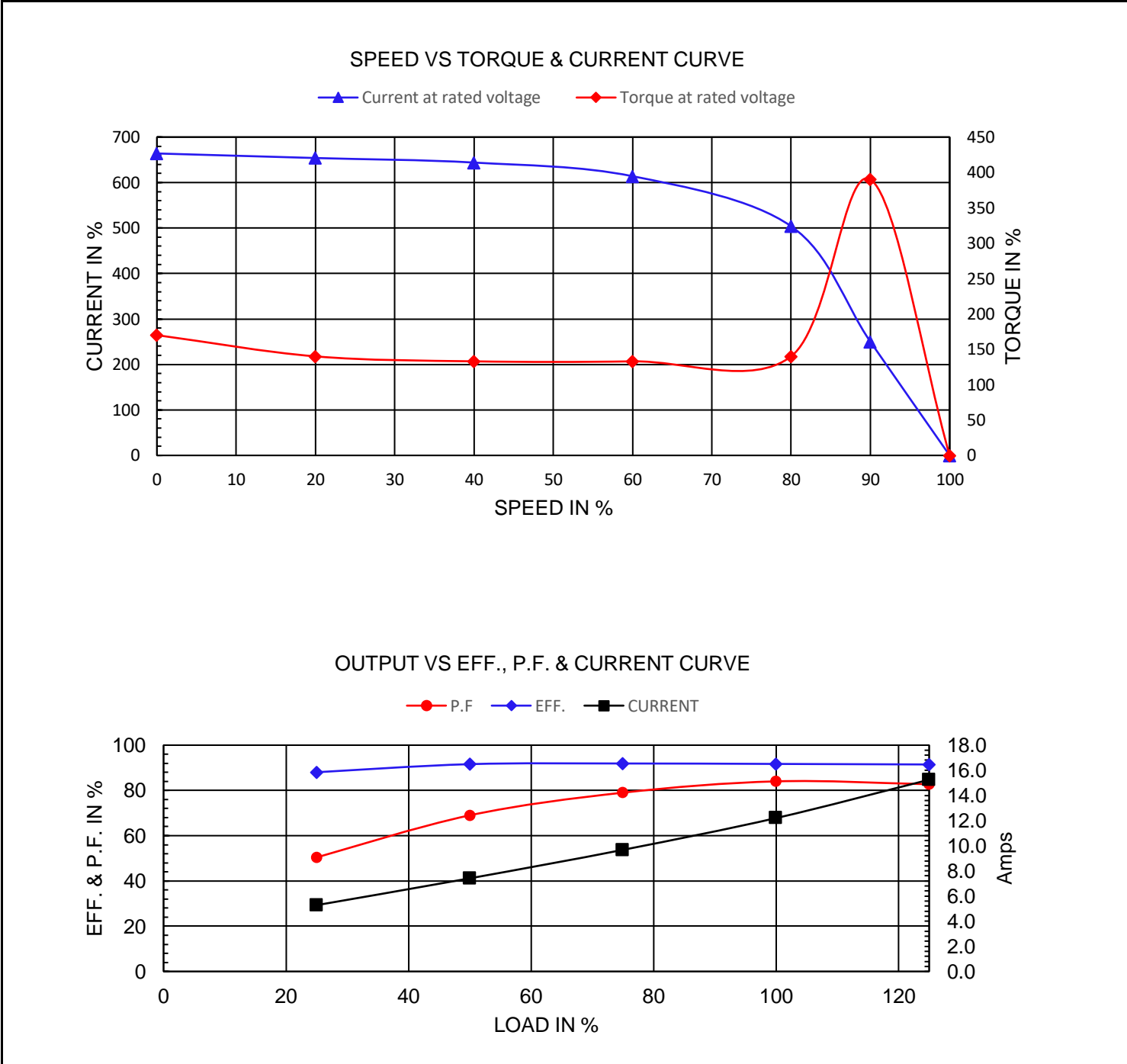
Premium Efficiency Motor:

**PEWWE10-18-215TZ-GD**

Document Generated: 11-Dec-2023  
Document ID:

Customer:

Motor Type	PEWWE				
Output Rating (HP)	10		FL Speed	1760	
Full Load Torque	29.8	lb.ft	LRT (%FLT)	170	460 volt FLA 12.2
Rotor Wk <sup>2</sup>	0.75	lb-ft <sup>2</sup>	BDT (%FLT)	390	230 volt FLA 24.3



# NAMEPLATE / WIRING

WorldWide Electric Corporation

1 (800) 808-2131

Worldwideelectric.net



Premium Efficiency Motor: **PEWWE10-18-215TZ-GD**

Document Generated: 11-Dec-2023  
Document ID:

Customer:

## SAMPLE NAMEPLATE DATA

		<b>NEMA Premium</b>		<b>3-PHASE INDUCTION MOTOR</b>		259277		<b>CE</b>													
Model		Ser No.		Low Voltage		<table border="1"> <tr><td>6</td><td>4</td><td>5</td></tr> <tr><td>7</td><td>8</td><td>9</td></tr> <tr><td>1</td><td>2</td><td>3</td></tr> <tr><td>L1</td><td>L2</td><td>L3</td></tr> </table>			6	4	5	7	8	9	1	2	3	L1	L2	L3	
6	4	5																			
7	8	9																			
1	2	3																			
L1	L2	L3																			
HP	S.F.	IP	Encl	High Voltage			<table border="1"> <tr><td>4</td><td>5</td><td>6</td></tr> <tr><td>7</td><td>8</td><td>9</td></tr> <tr><td>1</td><td>2</td><td>3</td></tr> <tr><td>L1</td><td>L2</td><td>L3</td></tr> </table>			4	5	6	7	8	9	1	2	3	L1	L2	L3
4	5	6																			
7	8	9																			
1	2	3																			
L1	L2	L3																			
Frame	P.F.	Code	Type																		
Voltage	230/460	Hz	Ins Cl	Rating	°C Amb Cont																
Amps	RPM	Design	Date																		
Nom.Eff.	FL	% 3/4	% 230/460V	10:1 CT 20:1 VT PWM VFD		1.0SF															
Class I DIV. 2 Groups A B C D		Amb.40°C	T3C(160°C)	DE Brng																	
Class I Zone 2 IIC		Amb.55°C	T3A(180°C)	ODE Brng																	
50Hz		HP	V	A	rpm	S.F1.0															
<b>WorldWide Electric Corporation</b>																					

<b>Model</b>	PEWWE10-18-215TZ-GD						
<b>HP</b>	10	<b>S.F.</b>	1.25	<b>IP</b>	IP55	<b>Encl</b>	TEFC
<b>Frame</b>	215TZ	<b>P.F.</b>	0.84	<b>Code</b>	H	<b>Type</b>	BJPE
<b>Voltage</b>	230/460	<b>Hz</b>	60	<b>Ins Cl</b>	F	<b>Rating</b>	40°C
<b>Amps</b>	24.3/12.2	<b>RPM</b>	1760	<b>Design</b>	B	<b>DE Brng</b>	6308ZZ C3
<b>Nom.Eff.</b>	91.7%	<b>3/4 Eff</b>	91.9%	<b>ODE Brng</b>			6207ZZ C3
50Hz							
<b>HP</b>	10	<b>Volts</b>	200/400	<b>200V FLA</b>	28.9A	<b>RPM</b>	1455
				<b>400V FLA</b>	14.5		