

DATA SHEET

Premium Efficiency Motor: **PEWWE10-18-575-215T**

60 Hz

WorldWide Electric Corporation

1 (800) 808-2131

Worldwideelectric.net



Document Generated: 15-Feb-2023
Document ID:

Customer:

MOTOR INFORMATION	
HP	10
RPM	1800
Phase	3
Frequency	60 Hz
Voltage	575 V
Frame Size	215T
Enclosure	TEFC
Degree of Protection	IP55
Service Factor	1.25
Poles	4
Full Load Speed	1760
Insulation Class	F
Temp Rise	80°C
NEMA Code Letter	H
Duty Cycle	S1 / Continuous
Slip	2.22%
NEMA Design	B
Moment of Inertia	0.75 lb.ft.^2
Locked Rotor Time (Hot)	13 seconds
Sound Pressure Level	64 dB(A)
Number of Starts	2 Cold/ 1 Hot
Max Ambient Temperature	40°C
Max Elevation	1000 m.a.s.l (3300 f.a.s.l)
Mounting	F1
Rotation	Bi-Directional
Area of Classification	Class I, Division 2, Groups A, B, C, D
Inverter Rating	10:1 CT / 20:1 VT PWM Type
Standard	NEMA MG-1
Approvals	CSA-US, CE

EFFICIENCY/POWER FACTOR		
LOAD	EFF	P. F.
100%	91.7 %	0.84
75%	91.9 %	0.79
50%	91.6 %	0.69

TORQUE		
FULL LOAD	LRT	BDT
29.8 lb.ft.	170 %	280 %

AMPERAGE INFORMATION		
	575V	
Full Load Amps	9.72A	
Locked Rotor Amps	64.8A	
No Load Current	3.9A	

BEARING INFORMATION	
DE Bearing	6308ZZ C3
ODE Bearing	6207ZZ C3
Grease Type	SKF LGHP 2
DE Regreasing Interval	- Hours
ODE Regreasing Interval	- Hours

ADDITIONAL DATA	
F2 Suitable	No
Shaft Material	1045 Carbon Steel
Connection Diagram	575V - 3 Lead Y
Approximate Weight	179 lbs.

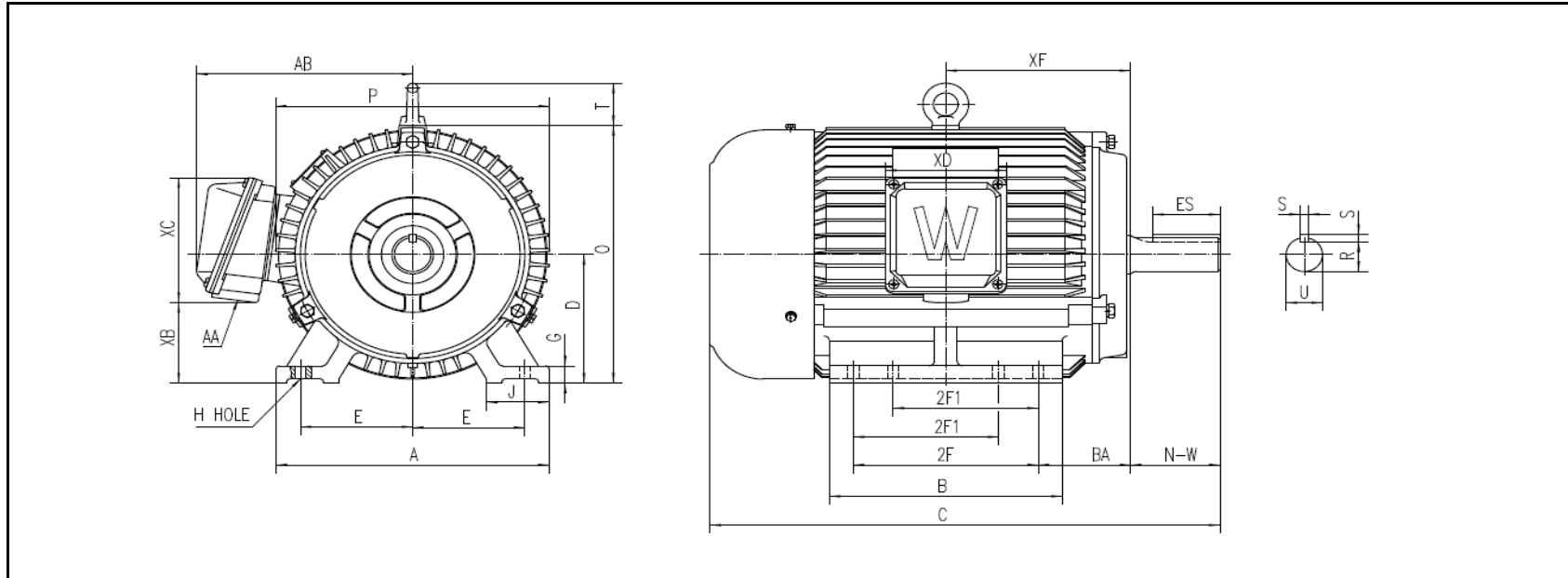
MOTOR DRAWING

Premium Efficiency Motor: **PEWWE10-18-575-215T**

WorldWide Electric Corporation

1 (800) 808-2131

Worldwideelectric.net



DIMENSION - INCHES

MOUNTING					A	B	C	D	G	J	P	O	T	AB
E	2F1	2F	H	BA										
4.25	5.5	7	0.41	3.5	10.315	8.819	19.319	5.25	0.709	2.362	10.389	10.526	1.732	8.178

SHAFT & KEY				
S	ES	R	N-W	U
0.312	2.41	1.201	3.38	1.375

TERMINAL BOX				
AA	XB	XC	XD	XF
1	3.296	5.098	4.567	7.002

PERFORMANCE CURVES

WorldWide Electric Corporation

1 (800) 808-2131

Worldwideelectric.net



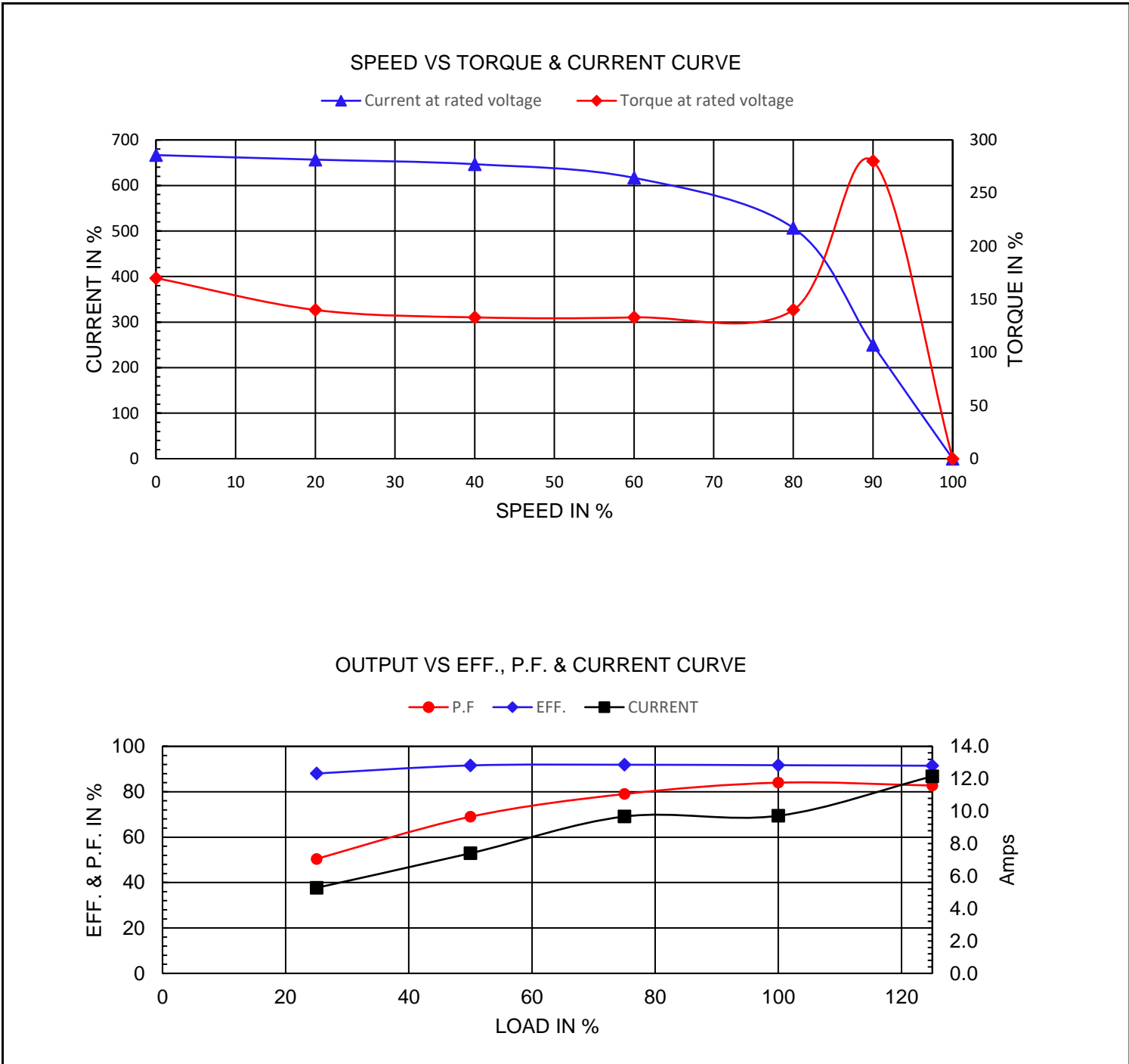
Premium Efficiency Motor:

PEWWE10-18-575-215T

Document Generated: 15-Feb-2023
 Document ID:

Customer:

Motor Type	PEWWE		FL Speed	1760
Output Rating (HP)	10		LRT (%FLT)	170
Full Load Torque	170	lb.ft	BDT (%FLT)	280
Rotor Wk ²	2.22	lb-ft ²	575 Volt FLA	9.72A



NAMEPLATE / WIRING

WorldWide Electric Corporation

1 (800) 808-2131

Worldwideelectric.net



Premium Efficiency Motor: **PEWWE10-18-575-215T**

Document Generated: 15-Feb-2023
Document ID:

Customer:

SAMPLE NAMEPLATE DATA

	NEMA Premium	3-PHASE INDUCTION MOTOR	259277 	CE CC006A			
Model	Ser No.						
HP	S.F.	IP	Encl	Connection ① ② ③ L1 L2 L3			
Frame	P.F.	Code	Type				
Voltage	Hz	Ins Cl	Rating °C Amb Cont				
Amps	RPM	Design	Date				
Nom. Eff.	FL	% 3/4	%	V	10:1 CT 20:1 VT PWM VFD 1.0SF		
Class I DIV. 2 Groups A B C D		Amb.40°C	T3C(160°C)	DE Brng			
Class I Zone 2 IIC		Amb.55°C	T3A(180°C)	ODE Brng			
				Grease type:			
○	50Hz	HP	V	A	rpm	S.F1.0	○
WorldWide Electric Corporation							

Model	PEWWE10-18-575-215T				
HP	10	S.F.	1.25	IP	IP55
Frame	215T	P.F.	0.84	Code	H
Voltage	575 V	Hz	60 Hz	Ins Cl	F
Amps	9.72A	RPM	1760	Design	B
Nom. Eff.	FL	91.7%	3/4	91.9%	
Encl	TEFC				
Amb.	40°C				
DE Brng	6308ZZ C3				
ODE Brng	6207ZZ C3				

50Hz	10 HP	500 V	11.6 A	1455 RPM
------	-------	-------	--------	----------