

DATA SHEET

Premium Efficiency Motor: **PEWWE10-18-575-215TC**

60 Hz

WorldWide Electric Corporation

1 (800) 808-2131

Worldwideelectric.net



Document Generated: 15-Feb-2023
Document ID:

Customer:

| MOTOR INFORMATION | |
|-------------------------|--|
| HP | 10 |
| RPM | 1800 |
| Phase | 3 |
| Frequency | 60 Hz |
| Voltage | 575 V |
| Frame Size | 215TC |
| Enclosure | TEFC |
| Degree of Protection | IP55 |
| Service Factor | 1.25 |
| Poles | 4 |
| Full Load Speed | 1760 |
| Insulation Class | F |
| Temp Rise | 80°C |
| NEMA Code Letter | H |
| Duty Cycle | S1 / Continuous |
| Slip | 2.22% |
| NEMA Design | B |
| Moment of Inertia | 0.75 lb.ft.^2 |
| Locked Rotor Time (Hot) | 13 seconds |
| Sound Pressure Level | 64 dB(A) |
| Number of Starts | 2 Hot/1 Cold |
| Max Ambient Temperature | 40°C |
| Max Elevation | 1000 m.a.s.l (3300 f.a.s.l) |
| Mounting | F1 |
| Rotation | Bi-Directional |
| Area of Classification | Class I, Division 2, Groups A, B, C, D |
| Inverter Rating | 10:1 CT / 20:1 VT PWM Type |
| Standard | NEMA MG-1 |
| Approvals | CSA-US, CE |

| EFFICIENCY/POWER FACTOR | | |
|-------------------------|--------|-------|
| LOAD | EFF | P. F. |
| 100% | 91.7 % | 0.84 |
| 75% | 91.9 % | 0.79 |
| 50% | 91.6 % | 0.69 |

| TORQUE | | |
|-------------|-------|-------|
| FULL LOAD | LRT | BDT |
| 29.8 lb.ft. | 170 % | 280 % |

| AMPERAGE INFORMATION | | |
|----------------------|-------|--|
| | 575V | |
| Full Load Amps | 9.72A | |
| Locked Rotor Amps | 64.8A | |
| No Load Current | 3.9A | |

| BEARING INFORMATION | |
|-------------------------|------------|
| DE Bearing | 6308ZZ C3 |
| ODE Bearing | 6207ZZ C3 |
| Grease Type | SKF LGHP 2 |
| DE Regreasing Interval | - Hours |
| ODE Regreasing Interval | - Hours |

| ADDITIONAL DATA | |
|--------------------|-------------------|
| F2 Suitable | No |
| Shaft Material | 1045 Carbon Steel |
| Connection Diagram | 575V - 3 Lead Y |
| Approximate Weight | 179 lbs. |

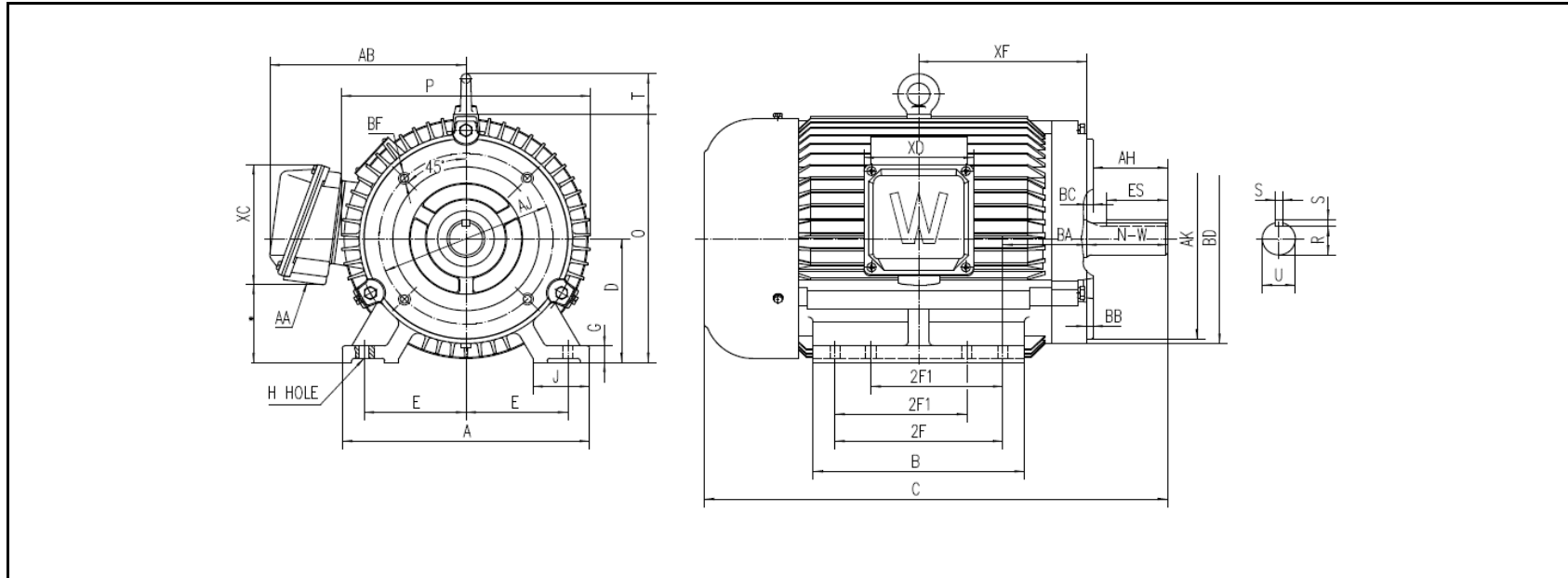
MOTOR DRAWING

Premium Efficiency Motor: **PEWWE10-18-575-215TC**

WorldWide Electric Corporation

1 (800) 808-2131

Worldwideelectric.net



DIMENSION - INCHES

| MOUNTING | | | | | A | B | C | D | G | J | P | O | T | AB |
|----------|-----|----|------|-----|--------|-------|--------|------|-------|-------|--------|--------|-------|-------|
| E | 2F1 | 2F | H | BA | | | | | | | | | | |
| 4.25 | 5.5 | 7 | 0.41 | 3.5 | 10.315 | 8.819 | 19.319 | 5.25 | 0.709 | 2.362 | 10.389 | 10.526 | 1.732 | 8.178 |

| SHAFT & KEY | | | | |
|-------------|------|-------|------|-------|
| S | ES | R | N-W | U |
| 0.312 | 2.41 | 1.201 | 3.38 | 1.375 |

| TERMINAL BOX | | | | |
|--------------|-------|-------|-------|-------|
| AA | XB | XC | XD | XF |
| 1 | 3.296 | 5.098 | 4.567 | 7.002 |

| FLANGE | | | | |
|--------|-----|------|-------|--------|
| AJ | AK | BB | BD | BF |
| 7.25 | 8.5 | 0.25 | 8.898 | 1/2-13 |

PERFORMANCE CURVES

WorldWide Electric Corporation

1 (800) 808-2131

Worldwideelectric.net



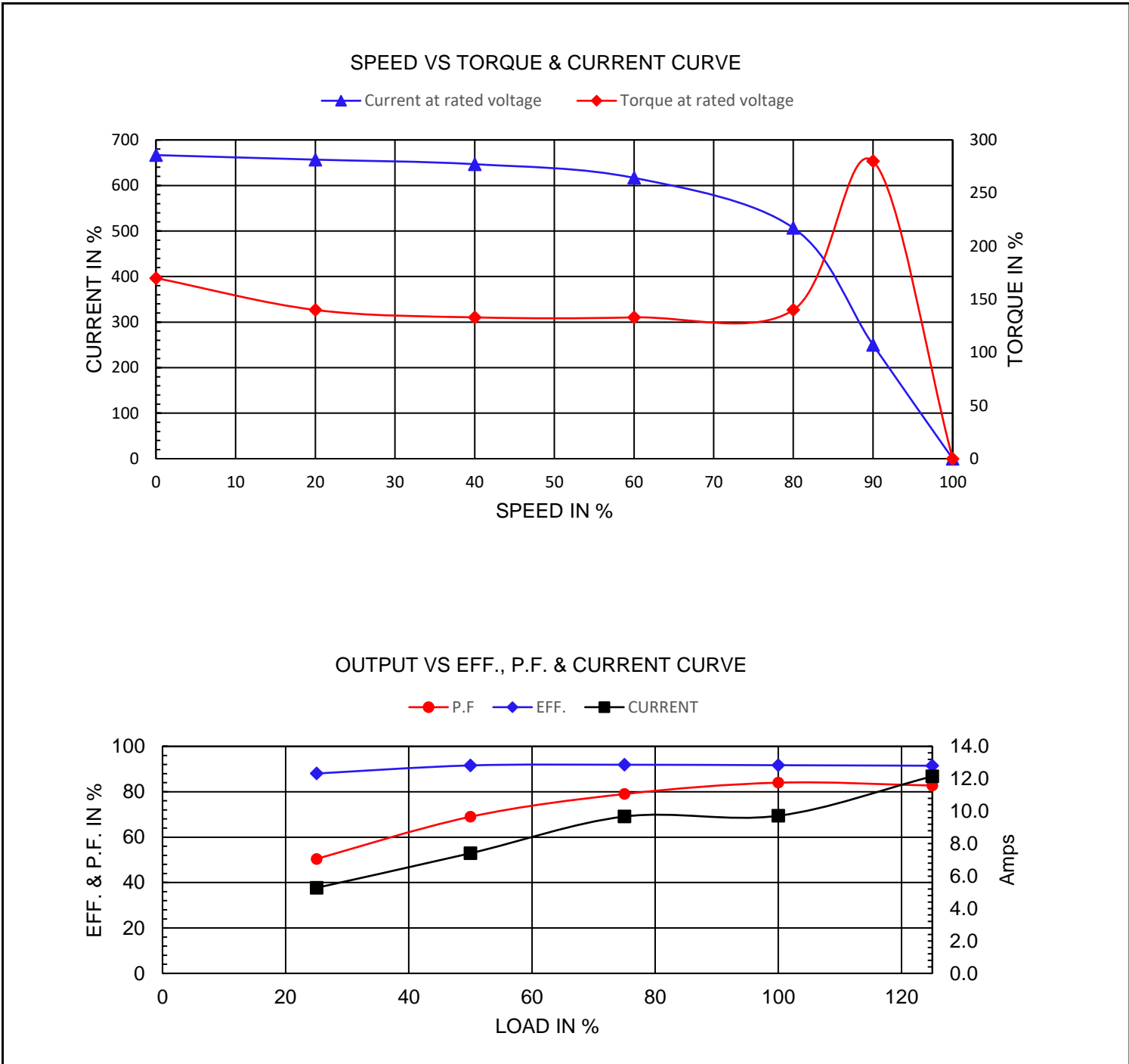
Premium Efficiency Motor:

PEWWE10-18-575-215TC

Document Generated: 15-Feb-2023
 Document ID:

Customer:

| | | | | |
|-----------------------|-------|--------------------|--------------|-------|
| Motor Type | PEWWE | | FL Speed | 1760 |
| Output Rating (HP) | 10 | | LRT (%FLT) | 170 |
| Full Load Torque | 170 | lb.ft | BDT (%FLT) | 280 |
| Rotor Wk ² | 2.22 | lb-ft ² | 575 Volt FLA | 9.72A |



NAMEPLATE / WIRING

WorldWide Electric Corporation

1 (800) 808-2131

Worldwideelectric.net



Premium Efficiency Motor: **PEWWE10-18-575-215TC**

| | |
|---------------------------------|-----------|
| Document Generated: 15-Feb-2023 | Customer: |
| Document ID: | |

SAMPLE NAMEPLATE DATA

| | | | | |
|---------------------------------------|---------------------|------------------------------------|------------|-----------------------|
| | NEMA Premium | 3-PHASE INDUCTION MOTOR | 259277 | CC006A |
| Model | Ser No. | | | |
| HP | S.F. | IP | Encl | Connection |
| Frame | P.F. | Code | Type | |
| Voltage | Hz | Ins Cl | Rating | |
| Amps | RPM | Design | Date | |
| Nom. Eff. | FL | % 3/4 | % | V |
| Class I DIV. 2 Groups A B C D | | Amb.40°C | T3C(160°C) | DE Brng |
| Class I Zone 2 II C | | Amb.55°C | T3A(180°C) | ODE Brng |
| | | | | Grease type: |
| | | | | |
| WorldWide Electric Corporation | | | | |

| | | | | | | | |
|------------------|----------------------|-------------|-------|---------------|------|-----------------|-----------|
| Model | PEWWE10-18-575-215TC | | | | | | |
| HP | 10 | S.F. | 1.25 | IP | IP55 | Encl | TEFC |
| Frame | 215TC | P.F. | 0.84 | Code | H | Amb. | 40°C |
| Voltage | 575 V | Hz | 60 Hz | Ins Cl | F | DE Brng | 6308ZZ C3 |
| Amps | 9.72A | RPM | 1760 | Design | B | ODE Brng | 6207ZZ C3 |
| Nom. Eff. | FL | 91.7% | 3/4 | 91.9% | | | |

| | | | | |
|------|-------|-------|--------|----------|
| 50Hz | 10 HP | 500 V | 11.6 A | 1455 RPM |
|------|-------|-------|--------|----------|