

DATA SHEET

Premium Efficiency Motor: **PEWWE10-36-575-215T**

60 Hz

WorldWide Electric Corporation

1 (800) 808-2131

Worldwideelectric.net



Document Generated: 15-Feb-2023

Document ID:

Customer:

MOTOR INFORMATION

| | |
|-------------------------|--|
| HP | 10 |
| RPM | 3600 |
| Phase | 3 |
| Frequency | 60 Hz |
| Voltage | 575 V |
| Frame Size | 215T |
| Enclosure | TEFC |
| Degree of Protection | IP55 |
| Service Factor | 1.25 |
| Poles | 2 |
| Full Load Speed | 3500 |
| Insulation Class | F |
| Temp Rise | 80°C |
| NEMA Code Letter | H |
| Duty Cycle | S1 / Continuous |
| Slip | 2.77% |
| NEMA Design | B |
| Moment of Inertia | 0.291 lb.ft.^2 |
| Locked Rotor Time (Hot) | 12 seconds |
| Sound Pressure Level | 72 dB(A) |
| Number of Starts | 2 Cold/ 1 Hot |
| Max Ambient Temperature | 40°C |
| Max Elevation | 1000 m.a.s.l (3300 f.a.s.l) |
| Mounting | F1 |
| Rotation | Bi-Directional |
| Area of Classification | Class I, Division 2, Groups A, B, C, D |
| Inverter Rating | 10:1 CT / 20:1 VT PWM Type |
| Standard | NEMA MG-1 |
| Approvals | CSA-US, CE |

EFFICIENCY/POWER FACTOR

| LOAD | EFF | P. F. |
|------|--------|-------|
| 100% | 90.2 % | 0.85 |
| 75% | 90.7 % | 0.83 |
| 50% | 90.5 % | 0.75 |

TORQUE

| FULL LOAD | LRT | BDT |
|-----------|-------|-------|
| 15 lb.ft. | 150 % | 250 % |

AMPERAGE INFORMATION

| | 575V | |
|-------------------|-------|--|
| Full Load Amps | 9.77A | |
| Locked Rotor Amps | 64.8A | |
| No Load Current | 3.5A | |

BEARING INFORMATION

| | |
|-------------------------|------------|
| DE Bearing | 6308ZZ C3 |
| ODE Bearing | 6207ZZ C3 |
| Grease Type | SKF LGHP 2 |
| DE Regreasing Interval | - Hours |
| ODE Regreasing Interval | - Hours |

ADDITIONAL DATA

| | |
|--------------------|-------------------|
| F2 Suitable | Yes |
| Shaft Material | 1045 Carbon Steel |
| Connection Diagram | 575V - 3 Lead Y |
| Approximate Weight | 154 lbs. |

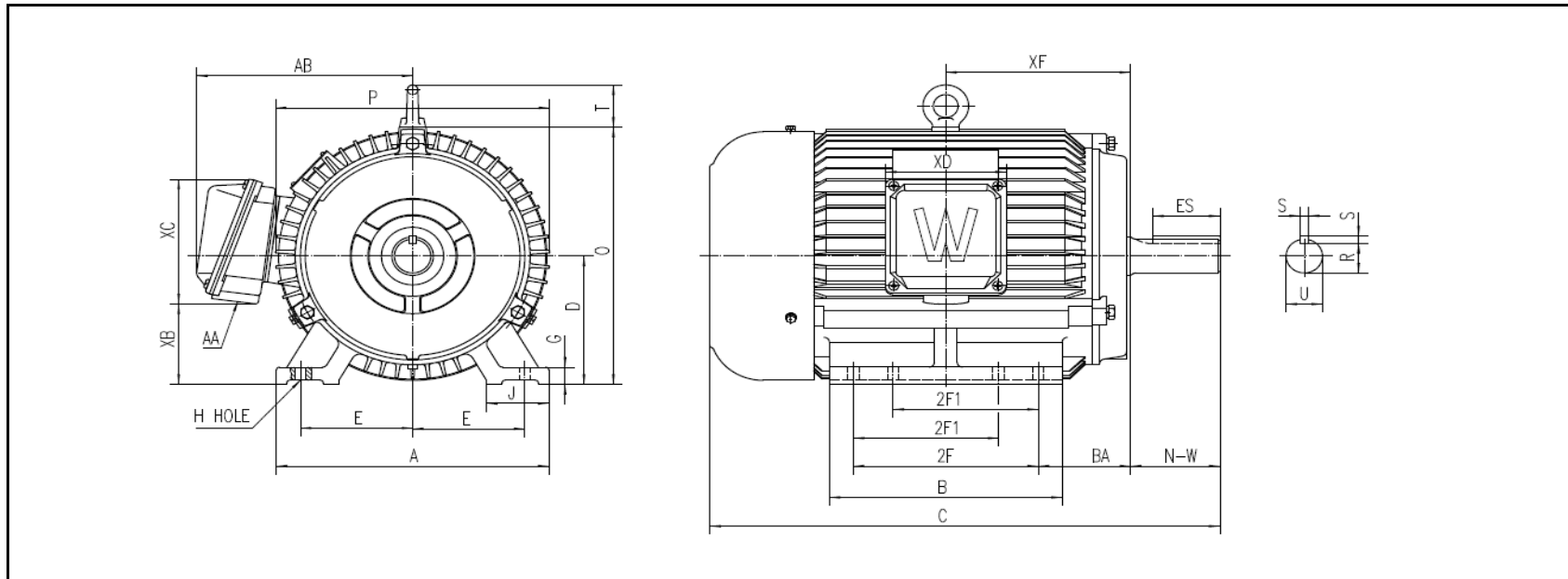
MOTOR DRAWING

Premium Efficiency Motor: **PEWWE10-36-575-215T**

WorldWide Electric Corporation

1 (800) 808-2131

Worldwideelectric.net



DIMENSION - INCHES

| MOUNTING | | | | | A | B | C | D | G | J | P | O | T | AB |
|----------|-----|----|------|-----|--------|-------|--------|------|-------|-------|--------|--------|-------|-------|
| E | 2F1 | 2F | H | BA | | | | | | | | | | |
| 4.25 | 5.5 | 7 | 0.41 | 3.5 | 10.315 | 8.819 | 19.319 | 5.25 | 0.709 | 2.362 | 10.389 | 10.526 | 1.732 | 8.178 |

| SHAFT & KEY | | | | |
|-------------|------|-------|------|-------|
| S | ES | R | N-W | U |
| 0.312 | 2.41 | 1.201 | 3.38 | 1.375 |

| TERMINAL BOX | | | | |
|--------------|-------|-------|-------|-------|
| AA | XB | XC | XD | XF |
| 1 | 3.296 | 5.098 | 4.567 | 7.002 |

PERFORMANCE CURVES

WorldWide Electric Corporation

1 (800) 808-2131

Worldwideelectric.net

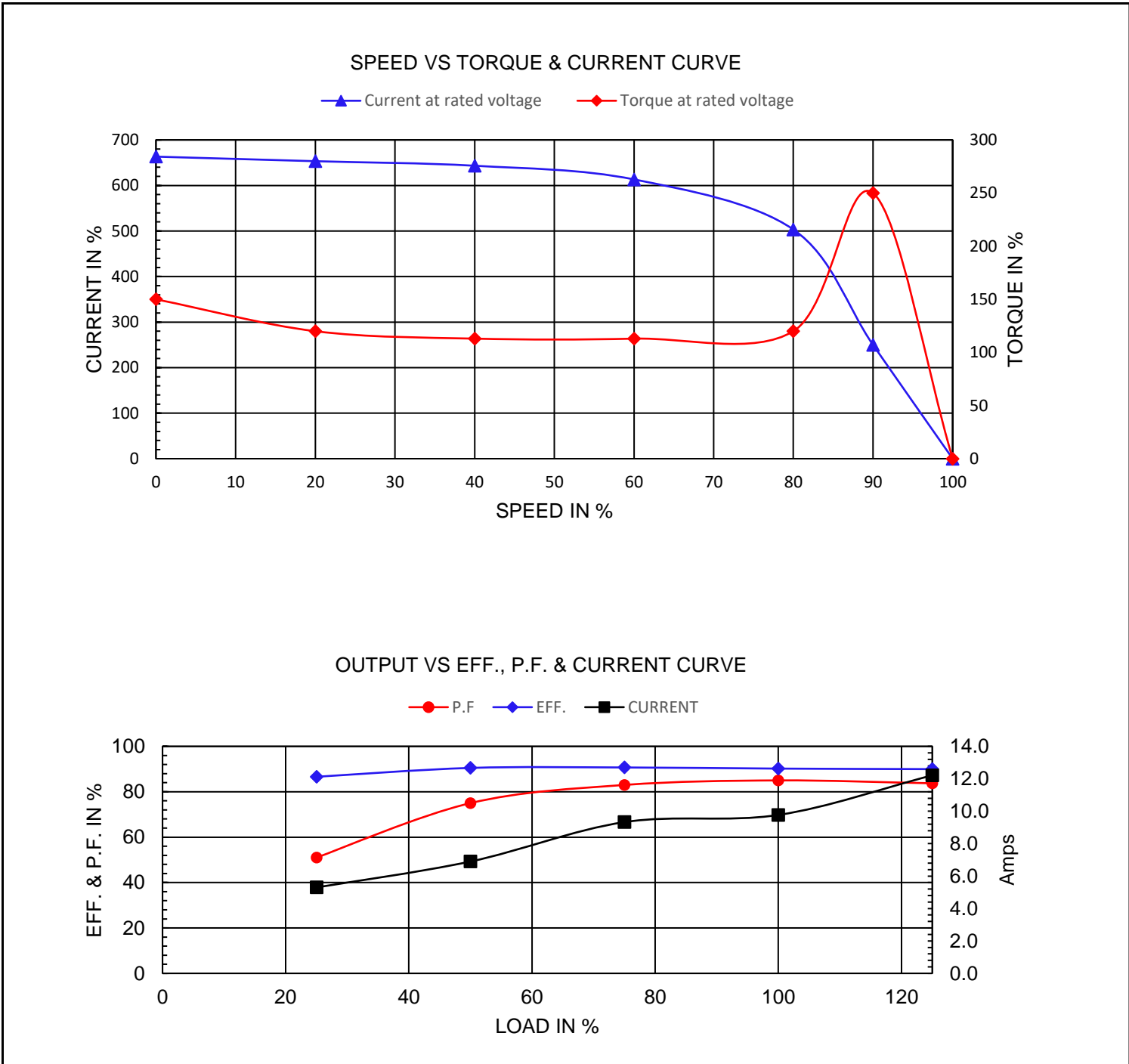


Premium Efficiency Motor:

PEWWE10-36-575-215T

| | | | |
|---------------------|-------------|-----------|--|
| Document Generated: | 15-Feb-2023 | Customer: | |
| Document ID: | | | |

| | | | |
|-----------------------|-------------------------|--------------|-------|
| Motor Type | PEWWE | | |
| Output Rating (HP) | 10 | FL Speed | 3500 |
| Full Load Torque | 150 lb.ft | LRT (%FLT) | 150 |
| Rotor Wk ² | 2.77 lb-ft ² | BDT (%FLT) | 250 |
| | | 575 Volt FLA | 9.77A |



NAMEPLATE / WIRING

WorldWide Electric Corporation

1 (800) 808-2131

Worldwideelectric.net



Premium Efficiency Motor: **PEWWE10-36-575-215T**

Document Generated: 15-Feb-2023
Document ID:

Customer:

SAMPLE NAMEPLATE DATA

| | | | | | | | |
|---------------------------------------|----|---------------------|------------|-------------------------|----------|------------|---------------|
| | | NEMA Premium | | 3-PHASE INDUCTION MOTOR | | 259277 | CE CC006A |
| Model | | | | Ser No. | | | |
| HP | | S.F. | | IP | | Encl | |
| Frame | | P.F. | | Code | | Type | |
| Voltage | | Hz | | Ins Cl | | Rating | °C Amb Cont |
| Amps | | RPM | | Design | | Date | |
| Nom.Eff. | FL | % 3/4 | % | V | 10:1 CT | 20:1 VT | PWM VFD 1.0SF |
| Class I DIV. 2 Groups A B C D | | Amb.40°C | T3C(160°C) | | DE Brng | | |
| Class I Zone 2 IIC | | Amb.55°C | T3A(180°C) | | ODE Brng | | |
| | | | | Grease type: | | | |
| | | | | | | | |
| 50Hz | | HP | V | A | rpm | S.F1.0 | |
| WorldWide Electric Corporation | | | | | | | |

| | | | | | | | |
|------------------|---------------------|-------------|-------|---------------|------|-----------------|-----------|
| Model | PEWWE10-36-575-215T | | | | | | |
| HP | 10 | S.F. | 1.25 | IP | IP55 | Encl | TEFC |
| Frame | 215T | P.F. | 0.85 | Code | H | Amb. | 40°C |
| Voltage | 575 V | Hz | 60 Hz | Ins Cl | F | DE Brng | 6308ZZ C3 |
| Amps | 9.77A | RPM | 3500 | Design | B | ODE Brng | 6207ZZ C3 |
| Nom. Eff. | FL | 90.2% | 3/4 | 90.7% | | | |

| | | | | |
|-------------|----------------|---------------|---------------|-----------------|
| 50Hz | #N/A HP | #N/A V | #N/A A | #N/A RPM |
|-------------|----------------|---------------|---------------|-----------------|