

# DATA SHEET

Premium Efficiency Motor: **PEWWE100-18-575-405T**

**60 Hz**

WorldWide Electric Corporation

1 (800) 808-2131

Worldwideelectric.net



Document Generated: 15-Feb-2023  
Document ID:

Customer:

## MOTOR INFORMATION

HP	100
RPM	1800
Phase	3
Frequency	60 Hz
Voltage	575 V
Frame Size	405T
Enclosure	TEFC
Degree of Protection	IP55
Service Factor	1.25
Poles	4
Full Load Speed	1785
Insulation Class	F
Temp Rise	80°C
NEMA Code Letter	G
Duty Cycle	S1 / Continuous
Slip	0.83%
NEMA Design	B
Moment of Inertia	28.1 lb.ft.^2
Locked Rotor Time (Hot)	16 seconds
Sound Pressure Level	74 dB(A)
Number of Starts	2 Cold/ 1 Hot
Max Ambient Temperature	40°C
Max Elevation	1000 m.a.s.l (3300 f.a.s.l)
Mounting	F1
Rotation	Bi-Directional
Area of Classification	Class I, Division 2, Groups A, B, C, D
Inverter Rating	10:1 CT / 20:1 VT PWM Type
Standard	NEMA MG-1
Approvals	CSA-US, CE

## EFFICIENCY/POWER FACTOR

LOAD	EFF	P. F.
100%	95.4 %	0.86
75%	95.6 %	0.84
50%	95.4 %	0.77

## TORQUE

FULL LOAD	LRT	BDT
294 lb.ft.	160 %	250 %

## AMPERAGE INFORMATION

	575V	
Full Load Amps	91.3A	
Locked Rotor Amps	580A	
No Load Current	27.5A	

## BEARING INFORMATION

DE Bearing	NU316 C3
ODE Bearing	6313 C3
Grease Type	SKF LGHP 2
DE Regreasing Interval	2000 Hours
ODE Regreasing Interval	3000 Hours

## ADDITIONAL DATA

F2 Suitable	No
Shaft Material	1045 Carbon Steel
Connection Diagram	575V - 6 Lead Δ
Approximate Weight	1108 lbs.

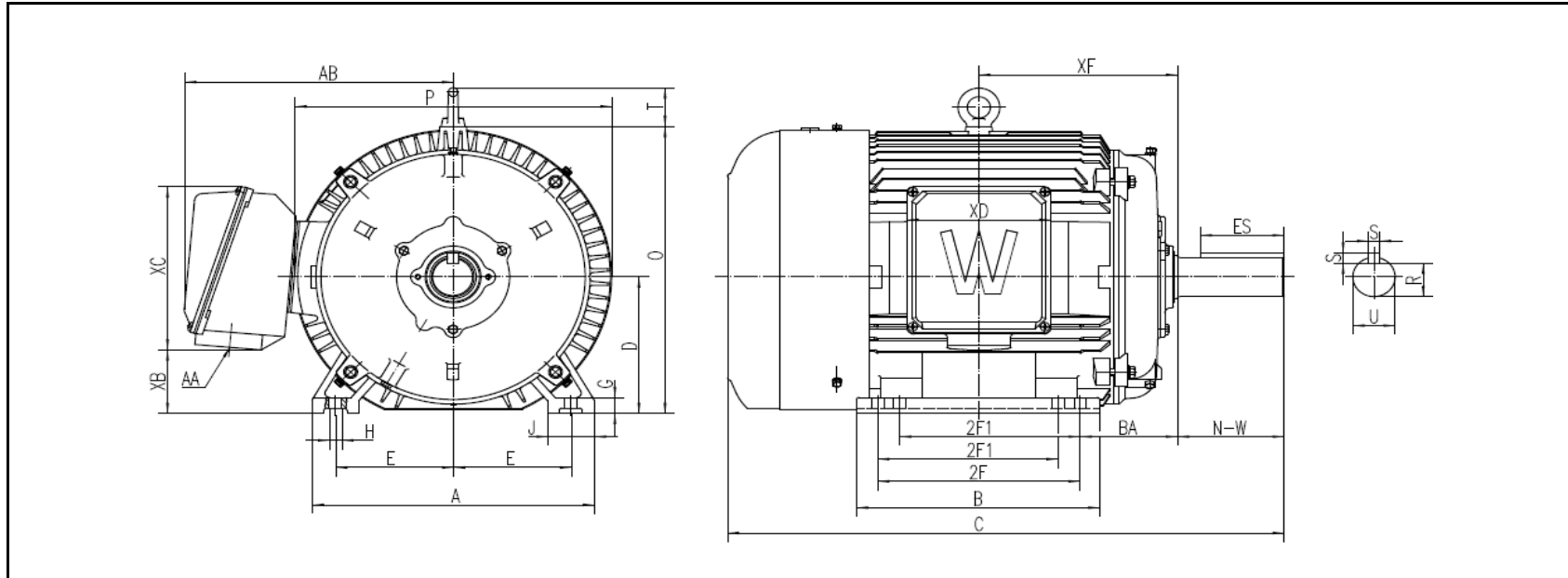
# MOTOR DRAWING

Premium Efficiency Motor: **PEWWE100-18-575-405T**

WorldWide Electric Corporation

1 (800) 808-2131

Worldwideelectric.net



## DIMENSION - INCHES

MOUNTING					A	B	C	D	G	J	P	O	T	AB
E	2F1	2F	H	BA										
8	12.25	13.75	0.81	6.62	19.136	16.535	37.815	10	1.181	3.15	21.535	21.024	2.835	18.264

SHAFT & KEY				
S	ES	R	N-W	U
0.75	5.65	2.45	7.25	2.875

TERMINAL BOX				
AA	XB	XC	XD	XF
3	4.659	11.933	9.764	13.494

# PERFORMANCE CURVES

WorldWide Electric Corporation

1 (800) 808-2131

Worldwideelectric.net



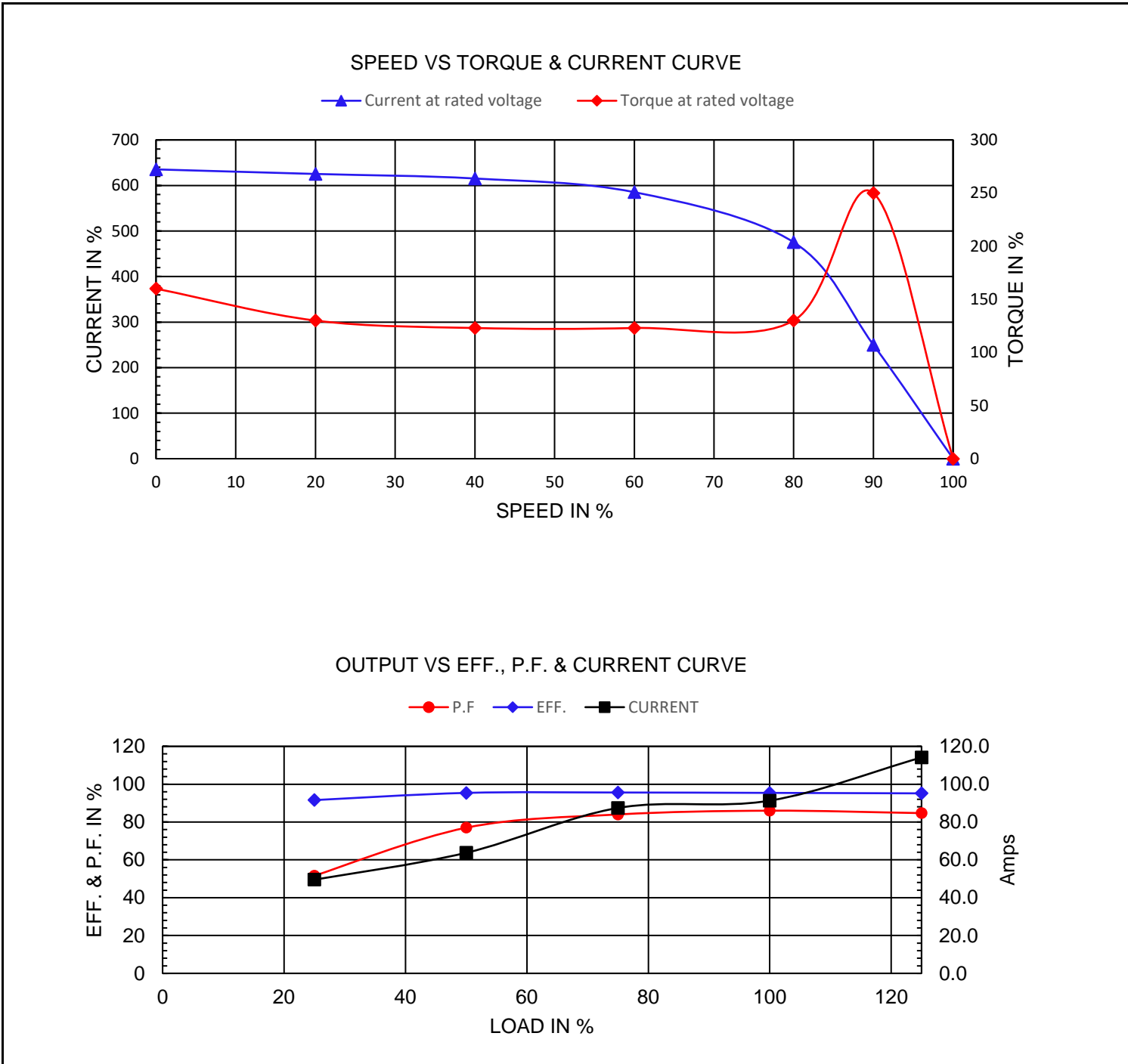
Premium Efficiency Motor:

**PEWWE100-18-575-405T**

Document Generated: 15-Feb-2023  
Document ID:

Customer:

Motor Type	PEWWE		FL Speed	1785
Output Rating (HP)	100		LRT (%FLT)	160
Full Load Torque	130	lb.ft	BDT (%FLT)	250
Rotor Wk^2	0.83	lb-ft^2	575 Volt FLA	91.3A



# NAMEPLATE / WIRING

WorldWide Electric Corporation

1 (800) 808-2131

Worldwideelectric.net



Premium Efficiency Motor: **PEWWE100-18-575-405T**

Document Generated: 15-Feb-2023  
Document ID:

Customer:

## SAMPLE NAMEPLATE DATA

		<b>NEMA Premium</b>		<b>3-PHASE INDUCTION MOTOR</b>		259277	<b>CE</b>	
							CC006A	
Model				Ser No.				Connection
HP		S.F.		IP		Encl		
Frame		P.F.		Code		Type		
Voltage		Hz		Ins Cl		Rating	°C Amb Cont	
Amps		RPM		Design		Date		
Nom. Eff.	FL	% 3/4	%	V	10:1 CT 20:1 VT PWM VFD	1.0SF		
Class I DIV. 2 Groups A B C D		Amb.40°C	T3C(160°C)	DE Brng				
Class I Zone 2 IIC		Amb.55°C	T3A(180°C)	ODE Brng				
				Grease type: LGHP 2 (compatible with polyrex)				
		50Hz	HP	V	A	rpm	S.F1.0	
<b>WorldWide Electric Corporation</b>								

<b>Model</b>	PEWWE100-18-575-405T						
<b>HP</b>	100	<b>S.F.</b>	1.25	<b>IP</b>	IP55	<b>Encl</b>	TEFC
<b>Frame</b>	405T	<b>P.F.</b>	0.86	<b>Code</b>	G	<b>Amb.</b>	40°C
<b>Voltage</b>	575 V	<b>Hz</b>	60 Hz	<b>Ins Cl</b>	F	<b>DE Brng</b>	NU316 C3
<b>Amps</b>	91.3A	<b>RPM</b>	1785	<b>Design</b>	B	<b>ODE Brng</b>	6313 C3
<b>Nom. Eff.</b>	FL	95.4%	3/4	95.6%			

<b>50Hz</b>	<b>100 HP</b>	<b>500 V</b>	<b>107 A</b>	<b>1485 RPM</b>
-------------	---------------	--------------	--------------	-----------------