

DATA SHEET

Premium Efficiency Motor: **PEWWE100-36-405TS**

60 Hz

WorldWide Electric Corporation

1 (800) 808-2131

Worldwideelectric.net



Document Generated: 31-Jul-2023
Document ID:

Customer:

MOTOR INFORMATION

HP	100
RPM	3600
Phase	3
Frequency	60Hz
Voltage	230/460 V
Frame Size	405TS
Enclosure	TEFC
Degree of Protection	IP55
Service Factor	1.25
Poles	2
Full Load Speed	3575
Insulation Class	F
Temp Rise	80°C
NEMA Code Letter	G
Duty Cycle	S1 / Continuous
Slip	0.69%
NEMA Design	B
Moment of Inertia	14.8 lb.ft.^2
Locked Rotor Time (Hot)	17 seconds
Sound Pressure Level	82 dB(A)
Number of Starts	2 Cold/ 1 Hot
Max Ambient Temperature	40°C
Max Elevation	1000 m.a.s.l (3300 f.a.s.l)
Mounting	F1
Rotation	Bi-Directional
Area of Classification	Class 1 Division 2 Groups A,B,C,D T3A(180°C)
Inverter Rating	10:1 CT / 20:1 VT PWM Type
Standard	NEMA MG-1
Approvals	CSA-US, CE

EFFICIENCY/POWER FACTOR

LOAD	EFF	P. F.
100%	94.1 %	0.9
75%	94.3 %	0.88
50%	93.2 %	0.83

TORQUE

FULL LOAD	LRT	BDT
147 lb.ft.	160 %	260 %

AMPERAGE INFORMATION

	230V	460V
Full Load Amps	221A	111A
Locked Rotor Amps	1450A	725A
No Load Current	54A	27A
Usable at 208V	245A	

BEARING INFORMATION

DE Bearing	6313 C3
ODE Bearing	6313 C3
Grease Type	SKF LGHP 2
DE Regreasing Interval	1800 Hours
ODE Regreasing Interval	1800 Hours

ADDITIONAL DATA

F2 Suitable	No
Shaft Material	1045 Carbon Steel
Connection Diagram	230 / 460 V - 12 Lead Δ
Approximate Weight	1048 lbs.

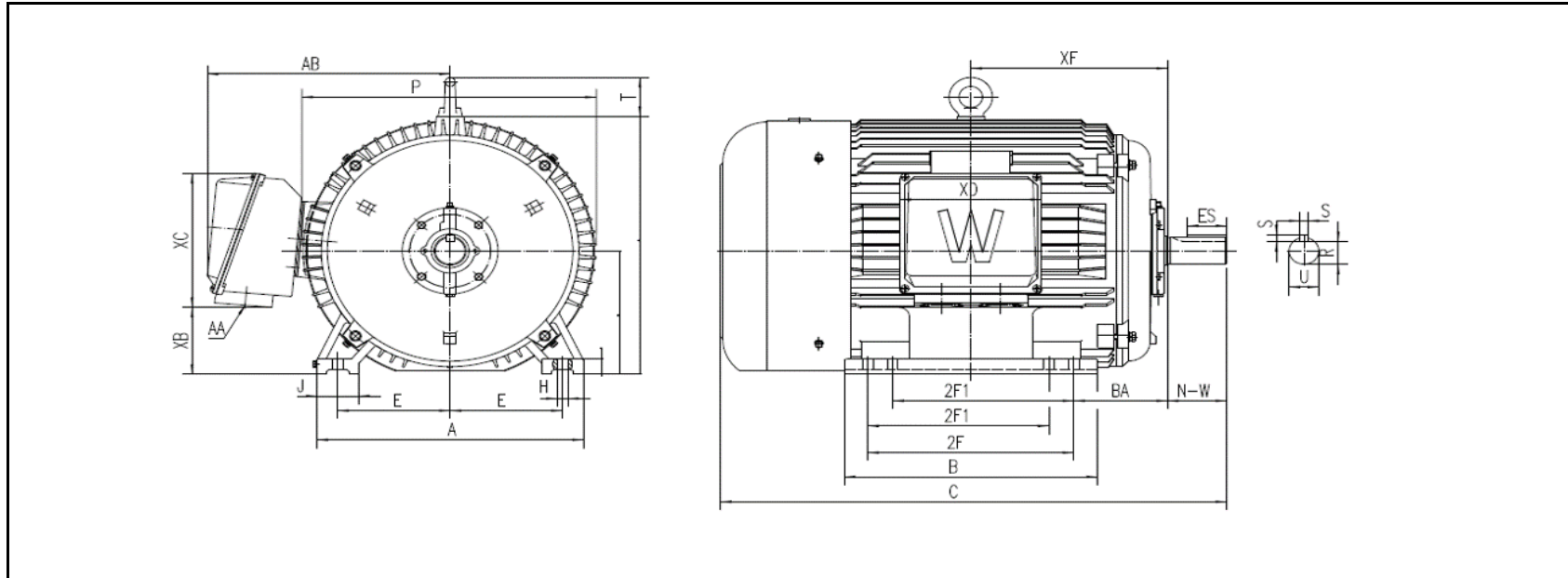
MOTOR DRAWING

Premium Efficiency Motor: **PEWWE100-36-405TS**

WorldWide Electric Corporation

1 (800) 808-2131

Worldwideelectric.net



DIMENSION - INCHES

MOUNTING					A	B	C	D	G	J	P	O	T	AB
E	2F1	2F	H	BA										
8	12.25	13.75	0.81	6.62	19.136	16.535	34.823	10	1.181	3.15	21.535	21.024	2.835	18.264

SHAFT & KEY				
S	ES	R	N-W	U
0.5	2.78	1.845	4.25	2.125

TERMINAL BOX				
AA	XB	XC	XD	XF
3	4.659	11.933	9.764	13.494

PERFORMANCE CURVES

WorldWide Electric Corporation

1 (800) 808-2131

Worldwideelectric.net



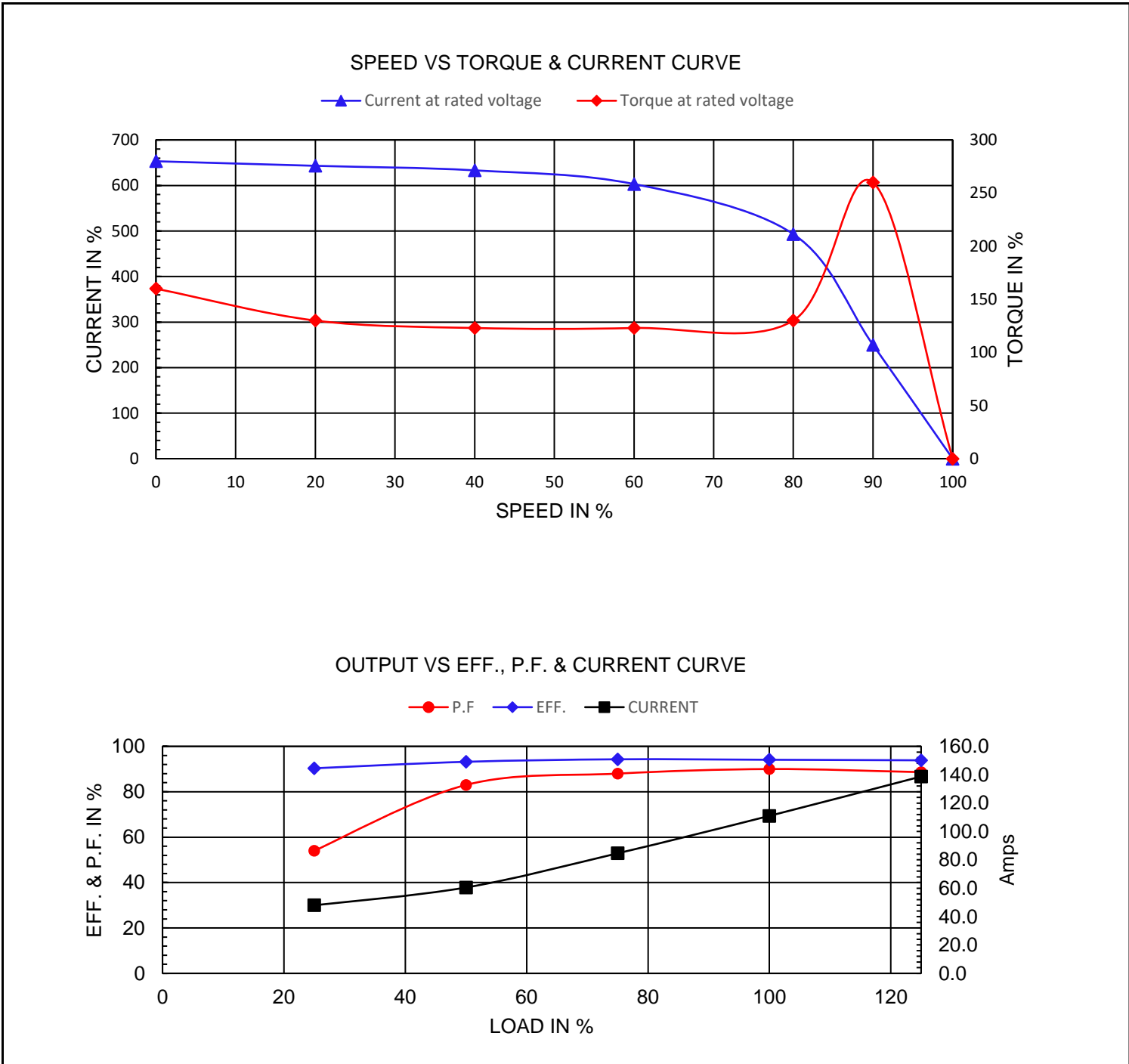
Premium Efficiency Motor:

PEWWE100-36-405TS

Document Generated: 31-Jul-2023
 Document ID:

Customer:

Motor Type	PEWWE				
Output Rating (HP)	100	FL Speed	3575		
Full Load Torque	147 lb.ft	LRT (%FLT)	160	460 volt FLA	111 A
Rotor Wk ²	14.8 lb-ft ²	BDT (%FLT)	260	230 volt FLA	221 A



NAMEPLATE / WIRING

WorldWide Electric Corporation

1 (800) 808-2131

Worldwideelectric.net



Premium Efficiency Motor:

PEWWE100-36-405TS

Document Generated: 31-Jul-2023
Document ID:

Customer:

SAMPLE NAMEPLATE DATA

		NEMA Premium		3-PHASE INDUCTION MOTOR		259277 	CE CC006A
Model		Ser No.					
HP		S.F.		IP		Encl	
Frame		P.F.		Code		Type	
Voltage	230/460	Hz		Ins Cl		Rating	°C Amb Cont
Amps		RPM		Design		Date	
Nom.Eff.	FL	% 3/4	% 230/460V	10:1 CT	20:1 VT	PWM	VFD 1.0SF
Class I DIV. 2 Groups A B C D				Amb.40°C	DE Brng		
Class I Zone 2 IIC				Amb.55°C	ODE Brng		
				Grease type: LGHP 2 (compatible with polyrex)			
50Hz		HP	V	A	rpm	1.0SF	
WorldWide Electric Corporation							

Model

HP S.F. IP Encl

Frame P.F. Code Type

Voltage Hz Ins Cl Ambient

Amps RPM Design DE Brng 6313 C3

Nom.Eff. ODE Brng 6313 C3

Grease type: SKF LGHP 2