

DATA SHEET

Premium Efficiency Motor: **PEWWE100-36-405TSC**

60 Hz

WorldWide Electric Corporation

1 (800) 808-2131

Worldwideelectric.net



Document Generated: 14-Oct-2024
Document ID:

Customer:

MOTOR INFORMATION

HP	100
RPM	3600
Phase	3
Frequency	60Hz
Voltage	230/460 V
Frame Size	405TSC
Enclosure	TEFC
Degree of Protection	IP55
Service Factor	1.25
Poles	2
Full Load Speed	3575
Insulation Class	F
Temp Rise	80°C
NEMA Code Letter	G
Duty Cycle	S1 / Continuous
Slip	0.69%
NEMA Design	B
Moment of Inertia	14.8 lb.ft.^2
Locked Rotor Time (Hot)	17 seconds
Sound Pressure Level	82 dB(A)
Number of Starts	2 Cold/ 1 Hot
Max Ambient Temperature	40°C
Max Elevation	1000 m.a.s.l (3300 f.a.s.l)
Mounting	F1
Rotation	Bi-Directional
Area of Classification	Class 1 Division 2 Groups A,B,C,D T3A(180°C)
Inverter Rating	10:1 CT / 20:1 VT PWM Type
Standard	NEMA MG-1
Approvals	CSA-US, CE

EFFICIENCY/POWER FACTOR

LOAD	EFF	P. F.
100%	94.1 %	0.9
75%	94.3 %	0.88
50%	93.2 %	0.83

TORQUE

FULL LOAD	LRT	BDT
147 lb.ft.	160 %	260 %

AMPERAGE INFORMATION

	230V	460V
Full Load Amps	221A	111A
Locked Rotor Amps	1450A	725A
No Load Current	54A	27A
Usable at 208V	245A	

BEARING INFORMATION

DE Bearing	6313 C3
ODE Bearing	6313 C3
Grease Type	SKF LGHP 2
DE Regreasing Interval	1800 Hours
ODE Regreasing Interval	1800 Hours

ADDITIONAL DATA

F2 Suitable	No
Shaft Material	1045 Carbon Steel
Connection Diagram	230 / 460 V - 12 Lead Δ
Approximate Weight	1048 lbs.

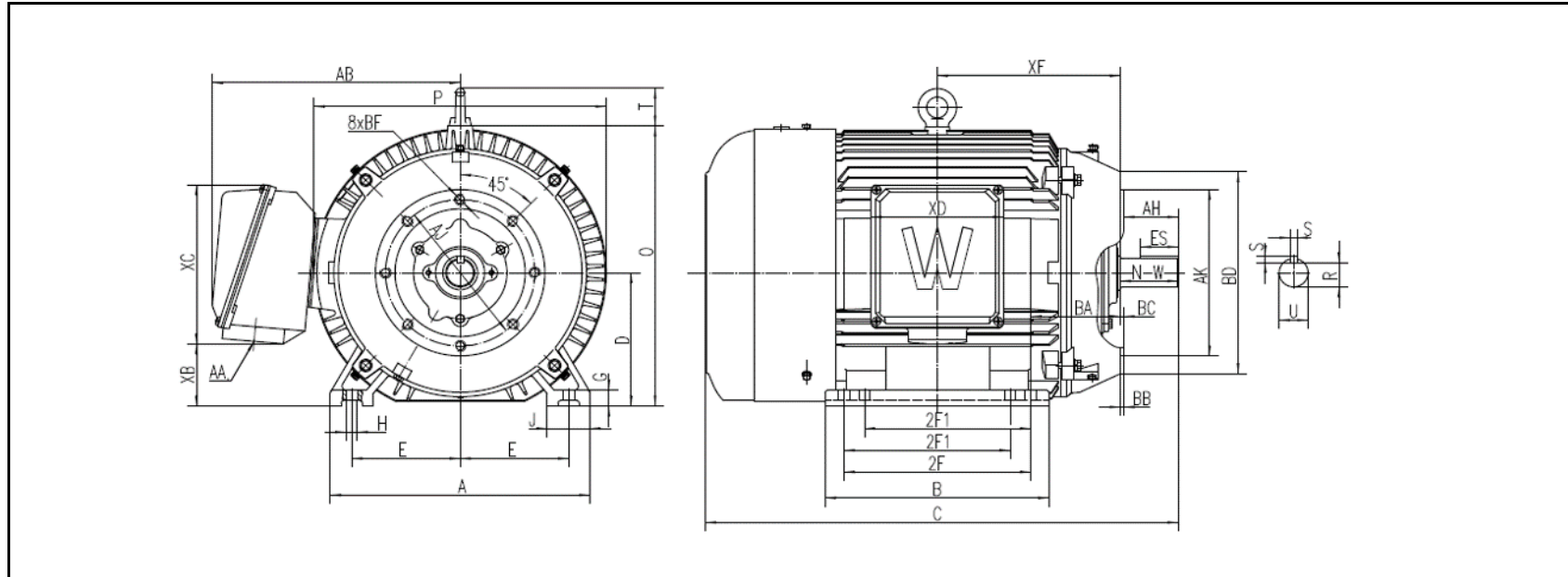
MOTOR DRAWING

Premium Efficiency Motor: **PEWWE100-36-405TSC**

WorldWide Electric Corporation

1 (800) 808-2131

Worldwideelectric.net



DIMENSION - INCHES

MOUNTING					A	B	C	D	G	J	P	O	T	AB
E	2F1	2F	H	BA										
8	12.25	13.75	0.81	6.62	19.136	16.535	34.823	10	1.181	3.15	21.535	21.024	2.835	18.264

SHAFT & KEY					
S	ES	R	N-W	AH	U
0.5	2.78	1.845	4.25	4	2.125

TERMINAL BOX				
AA	XB	XC	XD	XF
3	4.659	11.933	9.764	13.494

FLANGE					
AJ	AK	BB	BD	BF	BC
11	12.5	0.25	15.157	58-11	0.25

PERFORMANCE CURVES

WorldWide Electric Corporation

1 (800) 808-2131

Worldwideelectric.net



Premium Efficiency Motor:

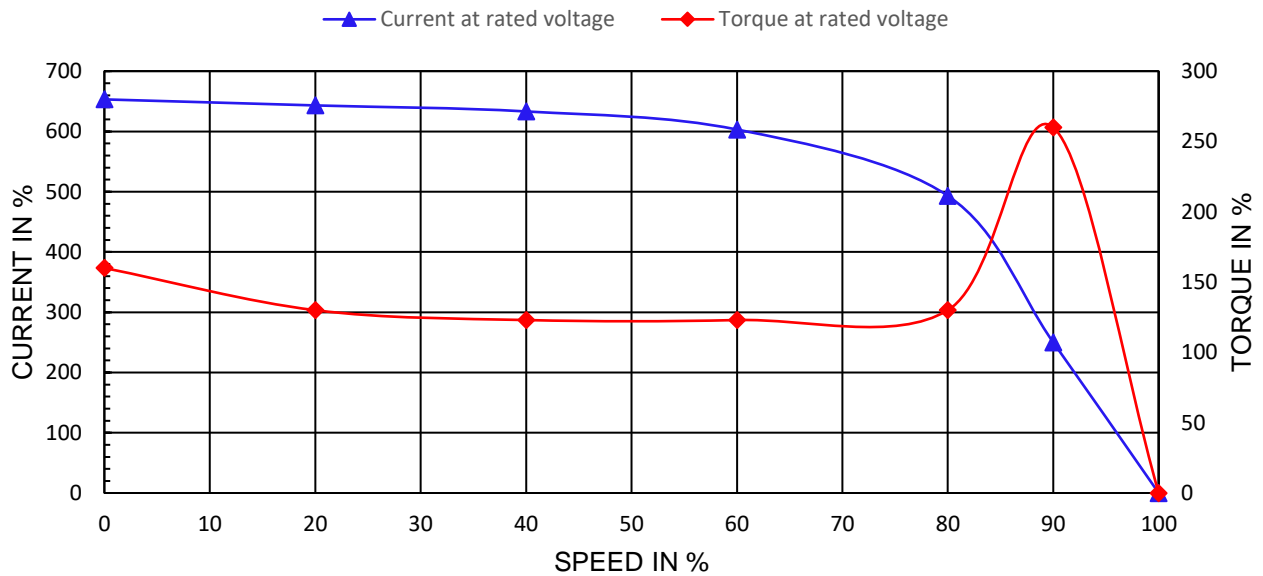
PEWWE100-36-405TSC

Document Generated: 14-Oct-2024
 Document ID:

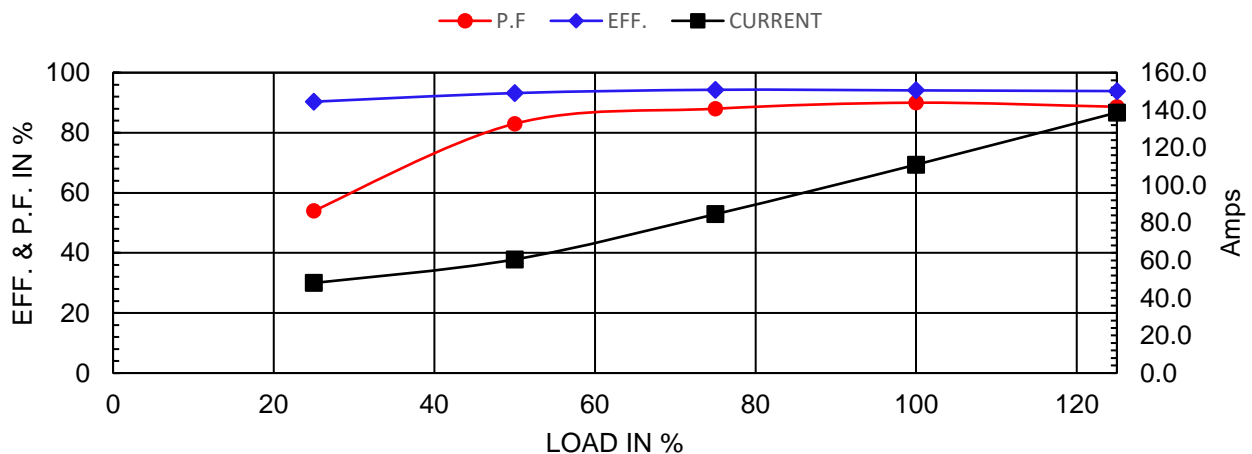
Customer:

Motor Type	PEWWE				
Output Rating (HP)	100		FL Speed	3575	
Full Load Torque	147 lb.ft		LRT (%FLT)	160	460 volt FLA 111
Rotor Wk ²	14.8 lb-ft ²		BDT (%FLT)	260	230 volt FLA 221

SPEED VS TORQUE & CURRENT CURVE



OUTPUT VS EFF., P.F. & CURRENT CURVE



NAMEPLATE / WIRING

Premium Efficiency Motor:

PEWWE100-36-405TSC

WorldWide Electric Corporation

1 (800) 808-2131

Worldwideelectric.net



Document Generated: 14-Oct-2024
Document ID:

Customer:

SAMPLE NAMEPLATE DATA

		3-PHASE INDUCTION MOTOR		259277 		50Hz 1.0SF HP % V A rpm
Model	<input type="text"/>	Ser No.	<input type="text"/>	Low Voltage ⑥ ④ ⑤ ⑦ ⑧ ⑨ ⑫ ⑩ ⑪ ① ② ③ L1 L2 L3		
HP	<input type="text"/> S.F. <input type="text"/>	Rating	<input type="text"/> °C Amb Cont			
Frame	<input type="text"/> P.F. <input type="text"/>	IP	<input type="text"/>	Encl	<input type="text"/>	
Voltage	230/460 Hz <input type="text"/>	Code	<input type="text"/>	Type	<input type="text"/>	
Amps	<input type="text"/> RPM <input type="text"/>	Ins Cl	<input type="text"/>	Design	<input type="text"/>	
Nom.Eff.	FL <input type="text"/> % 3/4 <input type="text"/> % <input type="text"/>	10:1 CT	<input type="text"/>	20:1 VT	<input type="text"/>	
Class I DIV. 2 Groups A B C D Class I Zone 2 IIC		Amb.40°C	<input type="text"/>	High Voltage ④ ⑤ ⑥ ⑦ ⑧ ⑨ ⑫ ⑩ ⑪ ① ② ③ L1 L2 L3		
Grease type: LGHP 2 (compatible with polyrex)		DE Brng	<input type="text"/>	Date	<input type="text"/>	
		ODE Brng	<input type="text"/>			
WorldWide Electric Corporation						

Model	<input type="text" value="PEWWE100-36-405TSC"/>						
HP	<input type="text" value="100"/>	S.F.	<input type="text" value="1.25"/>	IP	<input type="text" value="IP55"/>	Encl	<input type="text" value="TEFC"/>
Frame	<input type="text" value="405TSC"/>	P.F.	<input type="text" value="0.9"/>	Code	<input type="text" value="G"/>	Type	
Voltage	<input type="text" value="230/460 V"/>	Hz	<input type="text" value="60Hz"/>	Ins Cl	<input type="text" value="F"/>	Ambient	<input type="text" value="40°C"/>
Amps	<input type="text" value="221/111"/>	RPM	<input type="text" value="3575"/>	Design	<input type="text" value="B"/>	DE Brng	<input type="text" value="6313 C3"/>
Nom.Eff.	<input type="text" value="FL"/>	<input type="text" value="94.1%"/>	<input type="text" value="3/4"/>	<input type="text" value="94.3%"/>	ODE Brng <input type="text" value="6313 C3"/>		
Class 1 Division 2 Groups A,B,C,D					<input type="text" value="T3A(180°C)"/>	Grease type: <input type="text" value="SKF LGHP 2"/>	
50Hz							
<input type="text" value="100 HP"/>		<input type="text" value="200/400 V"/>		<input type="text" value="255/12.5 A"/>		<input type="text" value="2975 rpm"/>	
<input type="text" value="Eff. 93.8%"/>							