

DATA SHEET

Premium Efficiency Motor: **PEWWE125-18-444TBB-IB**

60 Hz

WorldWide Electric Corporation

1 (800) 808-2131

Worldwideelectric.net



Document Generated: 31-Jul-2023
Document ID:

Customer:

MOTOR INFORMATION	
HP	125
RPM	1800
Phase	3
Frequency	60 Hz
Voltage	230/460 V
Frame Size	444TS
Enclosure	TEFC
Degree of Protection	IP55
Service Factor	1.25
Poles	4
Full Load Speed	1790
Insulation Class	F
Temp Rise	80°C
NEMA Code Letter	G
Duty Cycle	S1 / Continuous
Slip	0.55%
NEMA Design	B
Moment of Inertia	36.8 lb.ft.^2
Locked Rotor Time (Hot)	20 seconds
Sound Pressure Level	76 dB(A)
Number of Starts	2 Cold/ 1 Hot
Max Ambient Temperature	40°C
Max Elevation	1000 m.a.s.l (3300 f.a.s.l)
Mounting	F1
Rotation	Bi-Directional
Area of Classification	Class 1 Division 2 Groups A,B,C,D T3A(180°C)
Inverter Rating	10:1 CT / 20:1 VT PWM Type
Standard	NEMA MG-1
Approvals	CSA-US, CE

EFFICIENCY/POWER FACTOR		
LOAD	EFF	P. F.
100%	95.4 %	0.84
75%	95.6 %	0.81
50%	95.3 %	0.73

TORQUE		
FULL LOAD	LRT	BDT
367 lb.ft.	160 %	230 %

AMPERAGE INFORMATION		
	230V	460V
Full Load Amps	292A	146A
Locked Rotor Amps	1815A	907.5A
No Load Current	101A	50.5A
Usable at 208V	323A	

BEARING INFORMATION	
DE Bearing	6313 C3
ODE Bearing	6313 M/C3
Grease Type	SKF LGHP 2
DE Regreasing Interval	1800 Hours
ODE Regreasing Interval	1800 Hours

ADDITIONAL DATA	
F2 Suitable	Yes
Shaft Material	1045 Carbon Steel
Connection Diagram	230 / 460 V - 12 Lead Δ
Approximate Weight	1359 lbs.

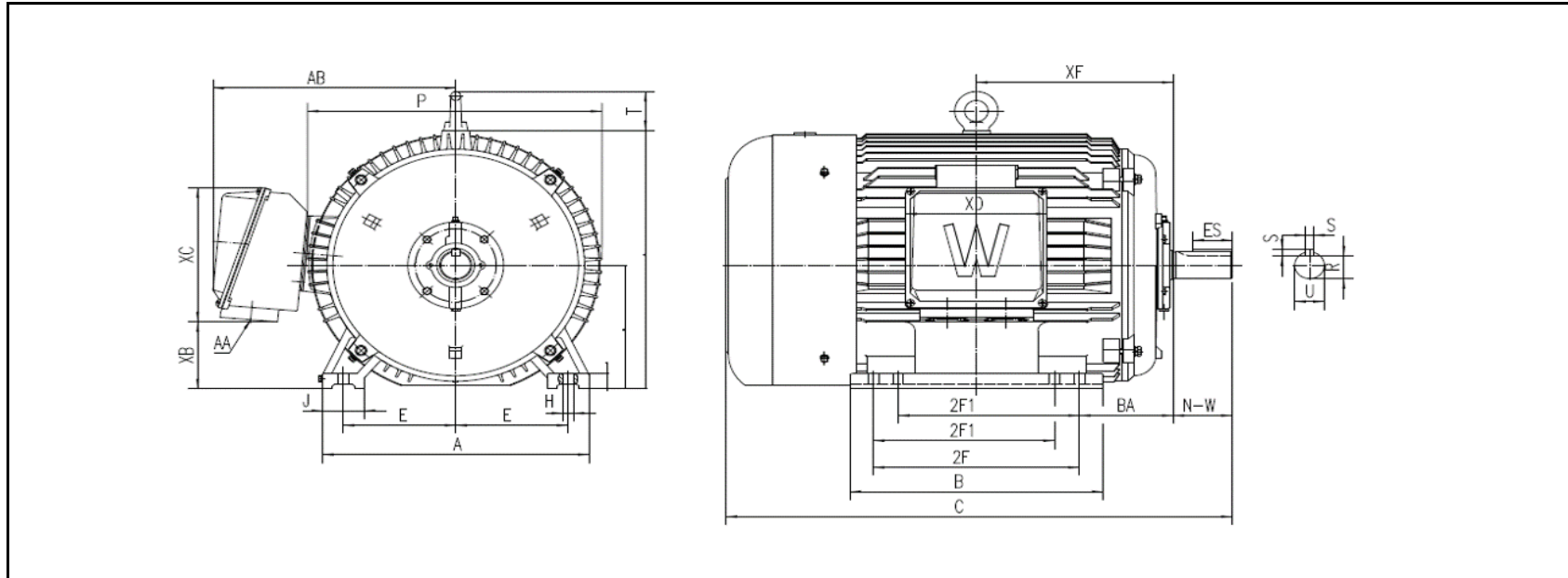
MOTOR DRAWING

Premium Efficiency Motor: **PEWWE125-18-444TBB-IB**

WorldWide Electric Corporation

1 (800) 808-2131

Worldwideelectric.net



DIMENSION - INCHES

MOUNTING					A	B	C	D	G	J	P	O	T	AB
E	2F1	2F	H	BA										
9	--	14.5	0.81	7.5	21.339	18.268	37.758	11	1.378	3.346	23.574	22.969	3.465	19.436

SHAFT & KEY				
S	ES	R	N-W	U
0.625	3.03	2.021	4.75	2.375

TERMINAL BOX				
AA	XB	XC	XD	XF
2 X 3	5.97	11.905	11.339	14.744

PERFORMANCE CURVES

WorldWide Electric Corporation

1 (800) 808-2131

Worldwideelectric.net



Premium Efficiency Motor:

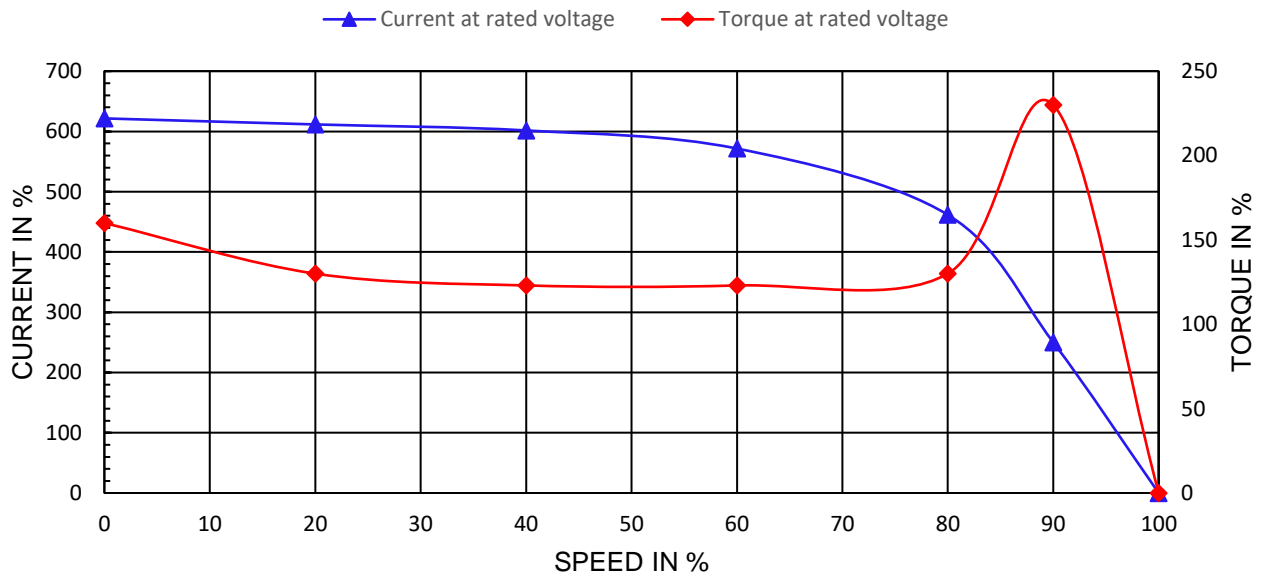
PEWWE125-18-444TBB-IB

Document Generated: 31-Jul-2023
 Document ID:

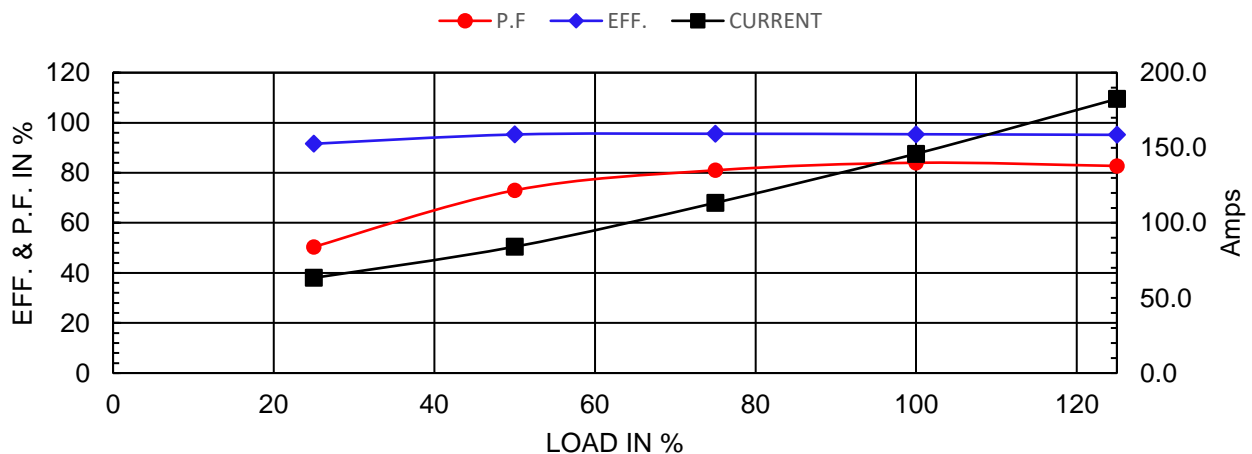
Customer:

Motor Type	PEWWE		FL Speed	1790	
Output Rating (HP)	125		LRT (%FLT)	160	460 volt FLA 146 A
Full Load Torque	367 lb.ft		BDT (%FLT)	230	230 volt FLA 292 A
Rotor Wk^2	36.8 lb-ft^2				

SPEED VS TORQUE & CURRENT CURVE



OUTPUT VS EFF., P.F. & CURRENT CURVE



NAMEPLATE / WIRING

WorldWide Electric Corporation

1 (800) 808-2131

Worldwideelectric.net



Premium Efficiency Motor:

PEWWE125-18-444TBB-IB

Document Generated: 31-Jul-2023
Document ID:

Customer:

SAMPLE NAMEPLATE DATA

				3-PHASE INDUCTION MOTOR		259277 	
Model		Ser No.					
HP		S.F.		IP		Encl	
Frame		P.F.		Code		Type	
Voltage	230/460	Hz		Ins Cl		Rating	°C Amb Cont
Amps		RPM		Design		Date	
Nom.Eff.	FL	% 3/4	% 230/460V	10:1 CT	20:1 VT	PWM	VFD 1.0SF
Class I DIV. 2 Groups A B C D Class I Zone 2 IIC				DE Brng ODE Brng Grease type: LGHP 2 (compatible with polyrex)			
		Amb.40°C					
		Amb.55°C					
50Hz	HP	V	A	rpm	1.0SF		

Model

HP S.F. IP Encl

Frame P.F. Code Type

Voltage Hz Ins Cl Ambient

Amps RPM Design DE Brng 6313 C3

Nom.Eff. ODE Brng 6313 M/C3

Grease type: SKF LGHP 2