

DATA SHEET

Premium Efficiency Motor: **PEWWE125-18-444TBB**

60 Hz

WorldWide Electric Corporation

1 (800) 808-2131

Worldwideelectric.net



Document Generated: 31-Jul-2023
Document ID:

Customer:

MOTOR INFORMATION	
HP	125
RPM	1800
Phase	3
Frequency	60 Hz
Voltage	230/460 V
Frame Size	444T
Enclosure	TEFC
Degree of Protection	IP55
Service Factor	1.25
Poles	4
Full Load Speed	1790
Insulation Class	F
Temp Rise	80°C
NEMA Code Letter	G
Duty Cycle	S1 / Continuous
Slip	0.55%
NEMA Design	B
Moment of Inertia	36.8 lb.ft.^2
Locked Rotor Time (Hot)	20 seconds
Sound Pressure Level	76 dB(A)
Number of Starts	2 Cold/ 1 Hot
Max Ambient Temperature	40°C
Max Elevation	1000 m.a.s.l (3300 f.a.s.l)
Mounting	F1
Rotation	Bi-Directional
Area of Classification	Class 1 Division 2 Groups A,B,C,D T3A(180°C)
Inverter Rating	10:1 CT / 20:1 VT PWM Type
Standard	NEMA MG-1
Approvals	CSA-US, CE

EFFICIENCY/POWER FACTOR		
LOAD	EFF	P. F.
100%	95.4 %	0.84
75%	95.6 %	0.81
50%	95.3 %	0.73

TORQUE		
FULL LOAD	LRT	BDT
367 lb.ft.	160 %	230 %

AMPERAGE INFORMATION		
	230V	460V
Full Load Amps	292A	146A
Locked Rotor Amps	1815A	907.5A
No Load Current	101A	50.5A
Usable at 208V	323A	

BEARING INFORMATION	
DE Bearing	6318 C3
ODE Bearing	6313 C3
Grease Type	SKF LGHP 2
DE Regreasing Interval	1500 Hours
ODE Regreasing Interval	3000 Hours

ADDITIONAL DATA	
F2 Suitable	Yes
Shaft Material	1045 Carbon Steel
Connection Diagram	230 / 460 V - 12 Lead Δ
Approximate Weight	1359 lbs.

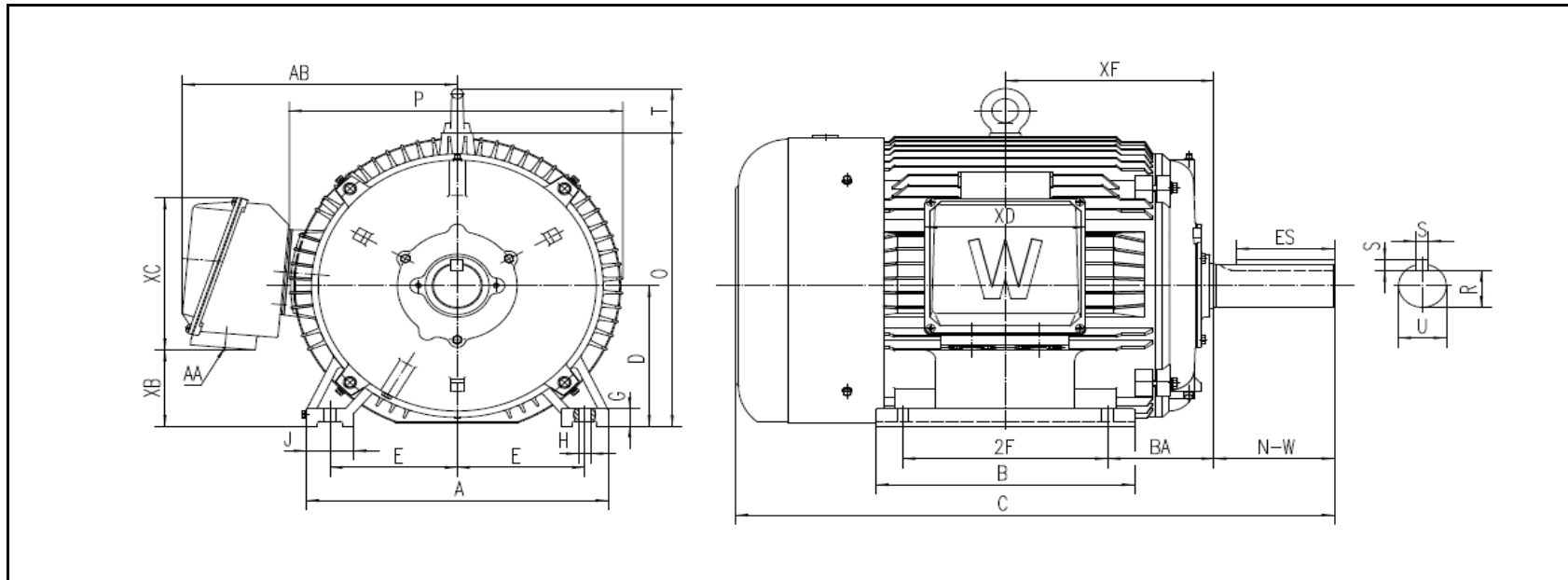
MOTOR DRAWING

Premium Efficiency Motor: **PEWWE125-18-444TBB**

WorldWide Electric Corporation

1 (800) 808-2131

Worldwideelectric.net



DIMENSION - INCHES

MOUNTING					A	B	C	D	G	J	P	O	T	AB
E	2F1	2F	H	BA										
9	--	14.5	0.81	7.5	21.339	18.268	42.301	11	1.378	3.346	23.574	22.969	3.465	19.436

SHAFT & KEY				
S	ES	R	N-W	U
0.875	6.91	2.88	8.5	3.375

TERMINAL BOX				
AA	XB	XC	XD	XF
2 X 3	5.97	11.905	11.339	14.744

PERFORMANCE CURVES

WorldWide Electric Corporation

1 (800) 808-2131

Worldwideelectric.net



Premium Efficiency Motor:

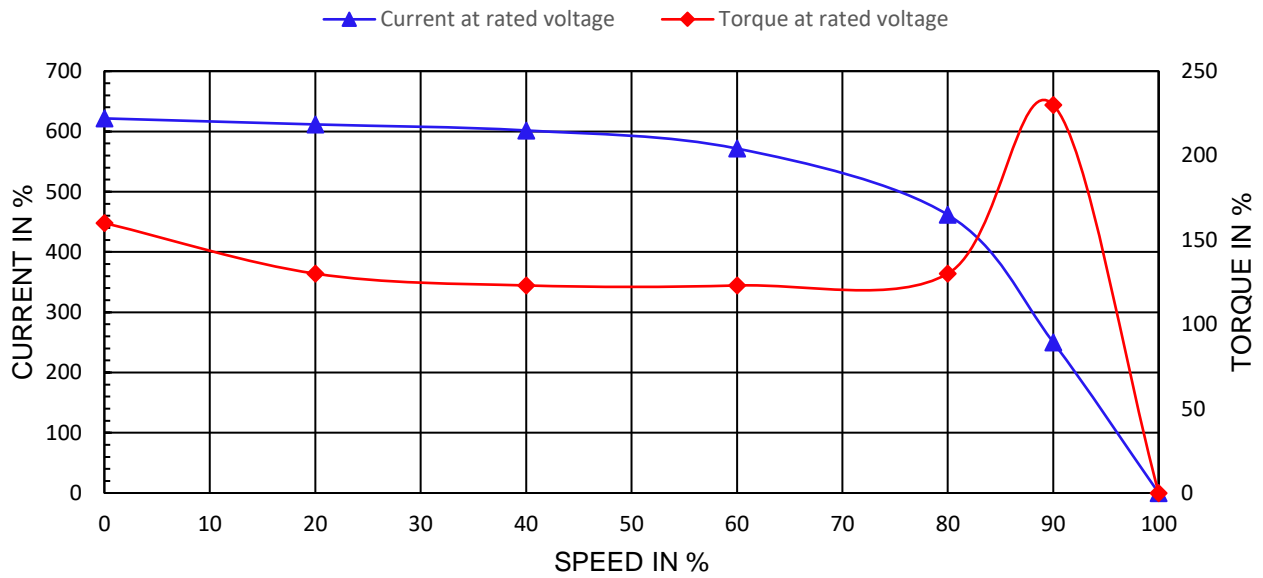
PEWWE125-18-444TBB

Document Generated: 31-Jul-2023
 Document ID:

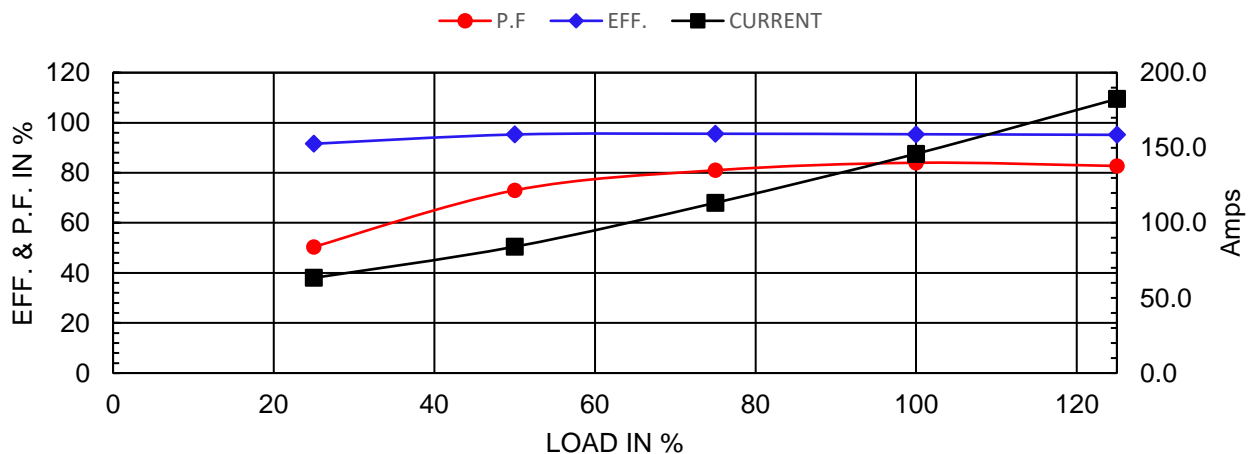
Customer:

Motor Type	PEWWE		FL Speed	1790	
Output Rating (HP)	125		LRT (%FLT)	160	460 volt FLA 146 A
Full Load Torque	367 lb.ft		BDT (%FLT)	230	230 volt FLA 292 A
Rotor Wk^2	36.8 lb-ft^2				

SPEED VS TORQUE & CURRENT CURVE



OUTPUT VS EFF., P.F. & CURRENT CURVE



NAMEPLATE / WIRING

WorldWide Electric Corporation

1 (800) 808-2131

Worldwideelectric.net



Premium Efficiency Motor:

PEWWE125-18-444TBB

Document Generated: 31-Jul-2023
Document ID:

Customer:

SAMPLE NAMEPLATE DATA

		NEMA Premium		3-PHASE INDUCTION MOTOR		259277 	CE CC006A
Model		Ser No.					
HP		S.F.		IP		Encl	
Frame		P.F.		Code		Type	
Voltage	230/460	Hz		Ins Cl		Rating	°C Amb Cont
Amps		RPM		Design		Date	
Nom.Eff.	FL	% 3/4	% 230/460V	10:1 CT	20:1 VT	PWM	VFD 1.0SF
Class I DIV. 2 Groups A B C D			Amb.40°C	DE Brng			
Class I Zone 2 IIC			Amb.55°C	ODE Brng			
				Grease type: LGHP 2 (compatible with polyrex)			
50Hz		HP	V	A	rpm	1.0SF	
WorldWide Electric Corporation							

Model	PEWWE125-18-444TBB						
HP	125	S.F.	1.25	IP	IP55	Encl	TEFC
Frame	444T	P.F.	0.84	Code	G	Type	
Voltage	230/460 V	Hz	60 Hz	Ins Cl	F	Ambient	40°C
Amps	292/146	RPM	1790	Design	B	DE Brng 6318 C3	
Nom.Eff.	FL	95.4%	3/4	95.6%	ODE Brng 6313 C3		
Class 1 Division 2 Groups A,B,C,D					T3A(180°C)	Grease type: SKF LGHP 2	
50Hz	125 HP	200/400 V	340/170	A	1490 rpm		