

DATA SHEET

Premium Efficiency Motor: **PEWWE125-18-444TC**

60 Hz

WorldWide Electric Corporation

1 (800) 808-2131

Worldwideelectric.net



Document Generated: 1-Aug-2023
Document ID:

Customer:

MOTOR INFORMATION	
HP	125
RPM	1800
Phase	3
Frequency	60 Hz
Voltage	230/460 V
Frame Size	444TC
Enclosure	TEFC
Degree of Protection	IP55
Service Factor	1.25
Poles	4
Full Load Speed	1790
Insulation Class	F
Temp Rise	80°C
NEMA Code Letter	G
Duty Cycle	S1 / Continuous
Slip	0.55%
NEMA Design	B
Moment of Inertia	36.8 lb.ft.^2
Locked Rotor Time (Hot)	20 seconds
Sound Pressure Level	76 dB(A)
Number of Starts	2 Cold/ 1 Hot
Max Ambient Temperature	40°C
Max Elevation	1000 m.a.s.l (3300 f.a.s.l)
Mounting	F1
Rotation	Bi-Directional
Area of Classification	Class 1 Division 2 Groups A,B,C,D T3A(180°C)
Inverter Rating	10:1 CT / 20:1 VT PWM Type
Standard	NEMA MG-1
Approvals	CSA-US, CE

EFFICIENCY/POWER FACTOR		
LOAD	EFF	P. F.
100%	95.4 %	0.84
75%	95.6 %	0.81
50%	95.3 %	0.73

TORQUE		
FULL LOAD	LRT	BDT
367 lb.ft.	160 %	230 %

AMPERAGE INFORMATION		
	230V	460V
Full Load Amps	292A	146A
Locked Rotor Amps	1815A	907.5A
No Load Current	101A	50.5A
Usable at 208V	323A	

BEARING INFORMATION	
DE Bearing	6318 C3
ODE Bearing	6313 C3
Grease Type	SKF LGHP 2
DE Regreasing Interval	1500 Hours
ODE Regreasing Interval	3000 Hours

ADDITIONAL DATA	
F2 Suitable	Yes
Shaft Material	1045 Carbon Steel
Connection Diagram	230 / 460 V - 12 Lead Δ
Approximate Weight	1359 lbs.

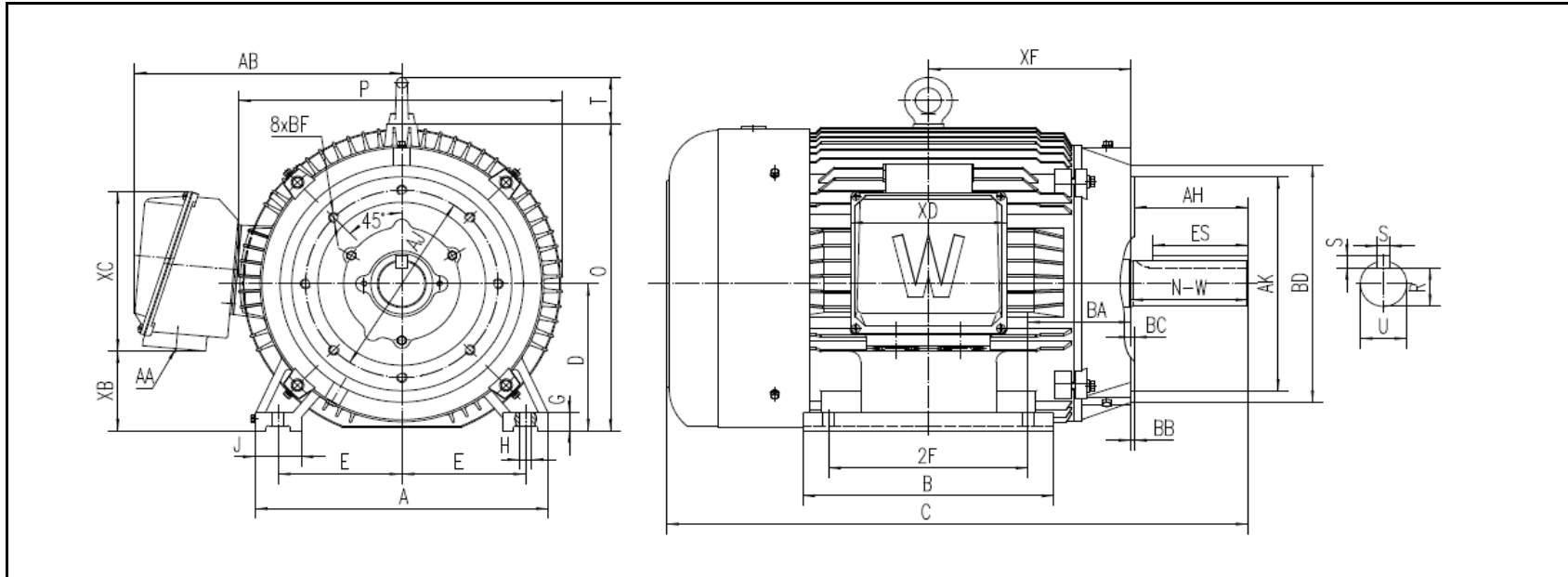
MOTOR DRAWING

Premium Efficiency Motor: **PEWWE125-18-444TC**

WorldWide Electric Corporation

1 (800) 808-2131

Worldwideelectric.net



DIMENSION - INCHES

MOUNTING					A	B	C	D	G	J	P	O	T	AB
E	2F1	2F	H	BA										
9	--	14.5	0.81	7.5	21.339	18.268	42.301	11	1.378	3.346	23.574	22.969	3.465	19.436

SHAFT & KEY					
S	ES	R	N-W	AH	U
0.875	6.91	2.88	8.5	8.25	3.375

TERMINAL BOX				
AA	XB	XC	XD	XF
2 X 3	5.97	11.905	11.339	14.744

FLANGE					
AJ	AK	BB	BD	BF	BC
14	16	0.25	17.717	5/8-11	0.25

PERFORMANCE CURVES

WorldWide Electric Corporation

1 (800) 808-2131

Worldwideelectric.net



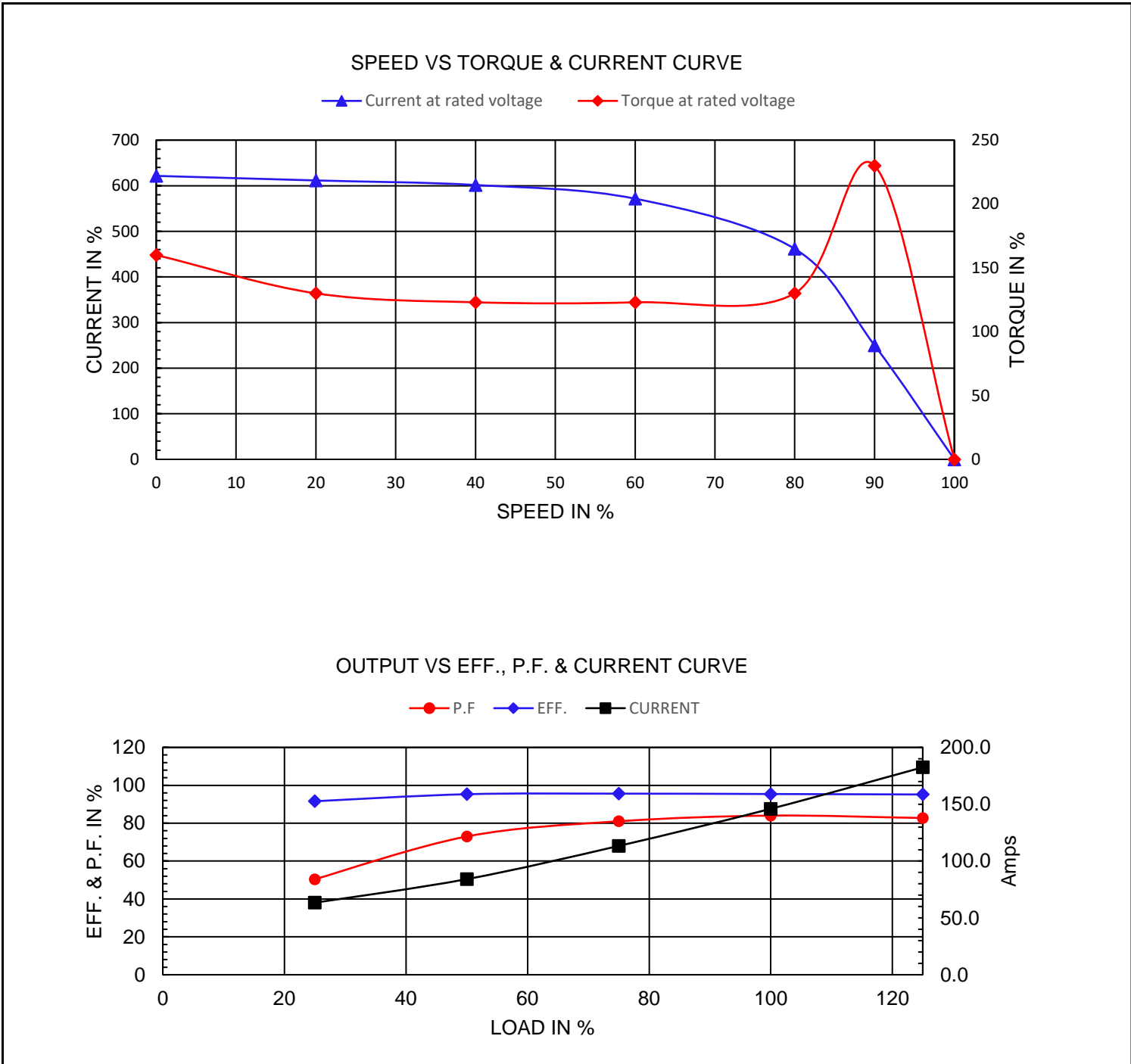
Premium Efficiency Motor:

PEWWE125-18-444TC

Document Generated: 1-Aug-2023
Document ID:

Customer:

Motor Type	PEWWE		FL Speed	1790	
Output Rating (HP)	125		LRT (%FLT)	160	460 volt FLA 146
Full Load Torque	367	lb.ft	BDT (%FLT)	230	230 volt FLA 292
Rotor Wk^2	36.8	lb-ft^2			



NAMEPLATE / WIRING

WorldWide Electric Corporation

1 (800) 808-2131

Worldwideelectric.net



Premium Efficiency Motor:

PEWWE125-18-444TC

Document Generated: 1-Aug-2023
Document ID:

Customer:

SAMPLE NAMEPLATE DATA

		NEMA Premium		3-PHASE INDUCTION MOTOR		259277 		CC006A
Model			Ser No.			Low Voltage 6 4 5 7 8 9 12 10 11 1 2 3 L1 L2 L3		
HP		S.F.		IP		Encl		
Frame		P.F.		Code		Type		
Voltage	230/460	Hz		Ins Cl		Rating	°C Amb Cont	
Amps		RPM		Design		Date		
Nom.Eff.	FL	% 3/4	%	230/460V	10:1 CT	20:1 VT	PWM	VFD 1.0SF
				DE Brng				
Class I DIV. 2 Groups A B C D		Amb.40°C		ODE Brng				
Class I Zone 2 IIC		Amb.55°C		Grease type: LGHP 2 (compatible with polyrex)		High Voltage 4 5 6 7 8 9 12 10 11 1 2 3 L1 L2 L3		
50Hz		HP	V	A	rpm	1.0SF		
WorldWide Electric Corporation								

Model	PEWWE125-18-444TC							
HP	125	S.F.	1.25	IP	IP55	Encl	TEFC	
Frame	444TC	P.F.	0.84	Code	G	Type		
Voltage	230/460 V	Hz	60 Hz	Ins Cl	F	Ambient	40°C	
Amps	292/146	RPM	1790	Design	B	DE Brng	6318 C3	
Nom.Eff.	FL	95.4%	3/4	95.6%	ODE Brng		6313 C3	
Class 1 Division 2 Groups A,B,C,D						T3A(180°C)		Grease type: SKF LGHP 2
50Hz	125 HP	200/400 V	340/170	A	1490 rpm			