

# DATA SHEET

Premium Efficiency Motor: **PEWWE125-9-445/7T**

**60 Hz**

WorldWide Electric Corporation

1 (800) 808-2131

Worldwideelectric.net



Document Generated: 31-Jul-2023  
Document ID:

Customer:

MOTOR INFORMATION	
HP	125
RPM	900
Phase	3
Frequency	60 Hz
Voltage	230/460 V
Frame Size	445/7T
Enclosure	TEFC
Degree of Protection	IP55
Service Factor	1.25
Poles	8
Full Load Speed	890
Insulation Class	F
Temp Rise	80°C
NEMA Code Letter	G
Duty Cycle	S1 / Continuous
Slip	1.10%
NEMA Design	B
Moment of Inertia	74.7 lb.ft.^2
Locked Rotor Time (Hot)	12 seconds
Sound Pressure Level	75 dB(A)
Number of Starts	2 Cold/ 1 Hot
Max Ambient Temperature	40°C
Max Elevation	1000 m.a.s.l (3300 f.a.s.l)
Mounting	F1
Rotation	Bi-Directional
Area of Classification	Class 1 Division 2 Groups A,B,C,D T3A(180°C)
Inverter Rating	10:1 CT / 20:1 VT PWM Type
Standard	NEMA MG-1
Approvals	CSA-US, CE

EFFICIENCY/POWER FACTOR		
LOAD	EFF	P. F.
100%	94.1 %	0.74
75%	94.4 %	0.70
50%	93.9 %	0.6

TORQUE		
FULL LOAD	LRT	BDT
737 lb.ft.	140 %	200 %

AMPERAGE INFORMATION		
	230V	460V
Full Load Amps	336A	168A
Locked Rotor Amps	1815A	907.5A
No Load Current	151A	75.5A
Usable at 208V	372A	

BEARING INFORMATION	
DE Bearing	NU319 C3
ODE Bearing	6313 C3
Grease Type	SKF LGHP 2
DE Regreasing Interval	2500 Hours
ODE Regreasing Interval	5100 Hours

ADDITIONAL DATA	
F2 Suitable	Yes
Shaft Material	1045 Carbon Steel
Connection Diagram	230 / 460 V - 12 Lead Δ
Approximate Weight	1819 lbs.

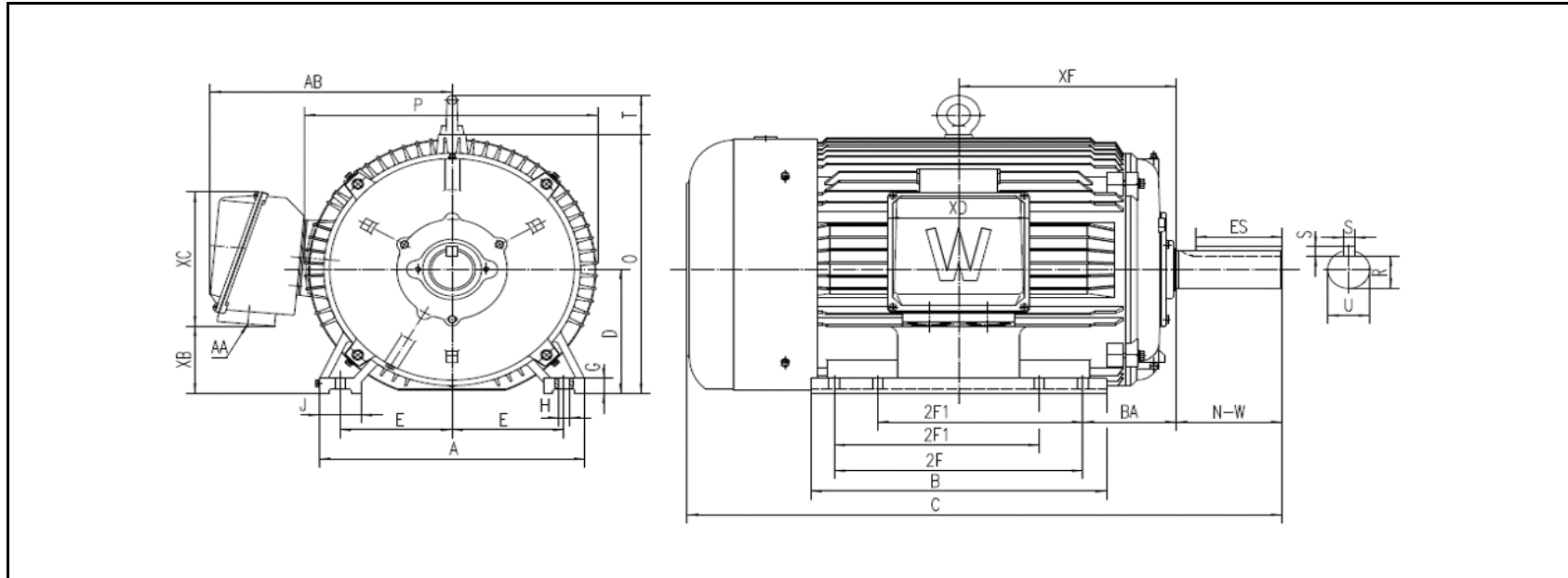
# MOTOR DRAWING

Premium Efficiency Motor: **PEWWE125-9-445/7T**

WorldWide Electric Corporation

1 (800) 808-2131

Worldwideelectric.net



## DIMENSION - INCHES

MOUNTING					A	B	C	D	G	J	P	O	T	AB
E	2F1	2F	H	BA										
9	16.5	20	0.81	7.5	21.339	23.78	47.813	11	1.378	3.346	23.574	22.969	3.465	19.436

SHAFT & KEY				
S	ES	R	N-W	U
0.875	6.91	2.88	8.5	3.375

TERMINAL BOX				
AA	XB	XC	XD	XF
2 X 3	5.97	11.905	11.339	17.5

# PERFORMANCE CURVES

WorldWide Electric Corporation

1 (800) 808-2131

Worldwideelectric.net



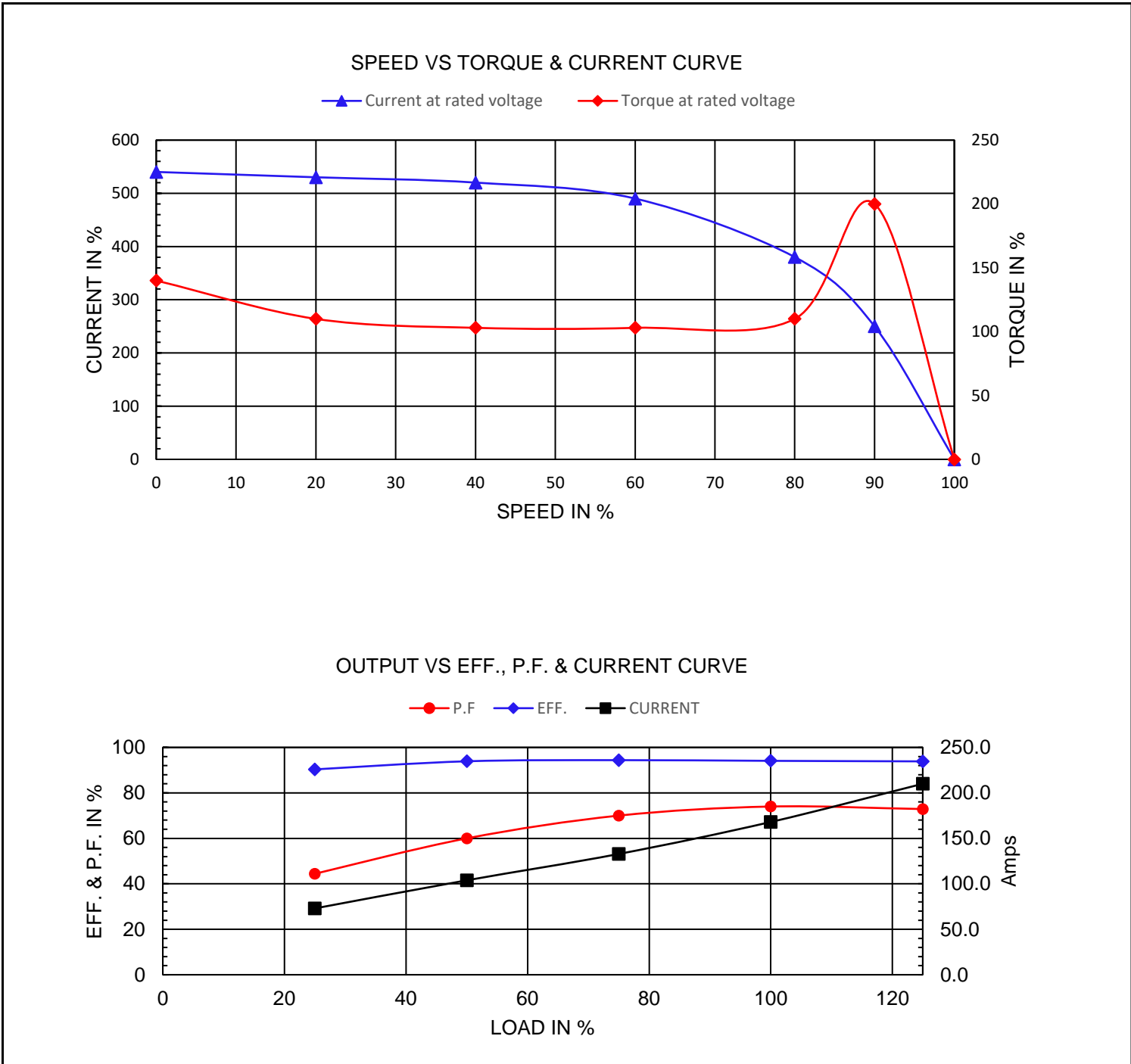
Premium Efficiency Motor:

**PEWWE125-9-445/7T**

Document Generated: 31-Jul-2023  
 Document ID:

Customer:

Motor Type	PEWWE				
Output Rating (HP)	125	FL Speed	890		
Full Load Torque	737 lb.ft	LRT (%FLT)	140	460 volt FLA	168 A
Rotor Wk <sup>2</sup>	74.7 lb-ft <sup>2</sup>	BDT (%FLT)	200	230 volt FLA	336 A



# NAMEPLATE / WIRING

WorldWide Electric Corporation

1 (800) 808-2131

Worldwideelectric.net



Premium Efficiency Motor:

**PEWWE125-9-445/7T**

Document Generated: 31-Jul-2023  
Document ID:

Customer:

## SAMPLE NAMEPLATE DATA

				<b>3-PHASE INDUCTION MOTOR</b>		259277 	
Model		Ser No.					
HP		S.F.		IP		Encl	
Frame		P.F.		Code		Type	
Voltage	230/460	Hz		Ins Cl		Rating	°C Amb Cont
Amps		RPM		Design		Date	
Nom.Eff.	FL	% 3/4	% 230/460V	10:1 CT	20:1 VT	PWM	VFD 1.0SF
Class I DIV. 2 Groups A B C D Class I Zone 2 IIC				DE Brng ODE Brng Grease type: LGHP 2 (compatible with polyrex)			
		Amb.40°C					
		Amb.55°C					
50Hz	HP	V	A	rpm	1.0SF		

Model

HP  S.F.  IP  Encl

Frame  P.F.  Code  Type

Voltage  Hz  Ins Cl  Ambient

Amps  RPM  Design  DE Brng

Nom.Eff.     ODE Brng

Grease type: