

# DATA SHEET

Premium Efficiency Motor: **PEWWE15-12-284T**

**60 Hz**

WorldWide Electric Corporation

1 (800) 808-2131

Worldwideelectric.net



Document Generated: 31-Jul-2023  
Document ID:

Customer:

MOTOR INFORMATION	
HP	15
RPM	1200
Phase	3
Frequency	60 Hz
Voltage	230/460 V
Frame Size	284T
Enclosure	TEFC
Degree of Protection	IP55
Service Factor	1.25
Poles	6
Full Load Speed	1185
Insulation Class	F
Temp Rise	80°C
NEMA Code Letter	G
Duty Cycle	S1 / Continuous
Slip	1.25%
NEMA Design	B
Moment of Inertia	3.61 lb.ft.^2
Locked Rotor Time (Hot)	15 seconds
Sound Pressure Level	70 dB(A)
Number of Starts	2 Cold/ 1 Hot
Max Ambient Temperature	40°C
Max Elevation	1000 m.a.s.l (3300 f.a.s.l)
Mounting	F1
Rotation	Bi-Directional
Area of Classification	Class 1 Division 2 Groups A,B,C,D T3C(160°C)
Inverter Rating	10:1 CT / 20:1 VT PWM Type
Standard	NEMA MG-1
Approvals	CSA-US, CE

EFFICIENCY/POWER FACTOR		
LOAD	EFF	P. F.
100%	91.7 %	0.79
75%	92.0 %	0.75
50%	91.4 %	0.65

TORQUE		
FULL LOAD	LRT	BDT
66.5 lb.ft.	145 %	230 %

AMPERAGE INFORMATION		
	230V	460V
Full Load Amps	38.8A	19.4A
Locked Rotor Amps	232A	116A
No Load Current	17A	8.5A
Usable at 208V	42.9A	

BEARING INFORMATION	
DE Bearing	6311 C3
ODE Bearing	6309 C3
Grease Type	SKF LGHP 2
DE Regreasing Interval	6000 Hours
ODE Regreasing Interval	7500 Hours

ADDITIONAL DATA	
F2 Suitable	Yes
Shaft Material	1045 Carbon Steel
Connection Diagram	230 / 460 V - 12 Lead Δ
Approximate Weight	345 lbs.

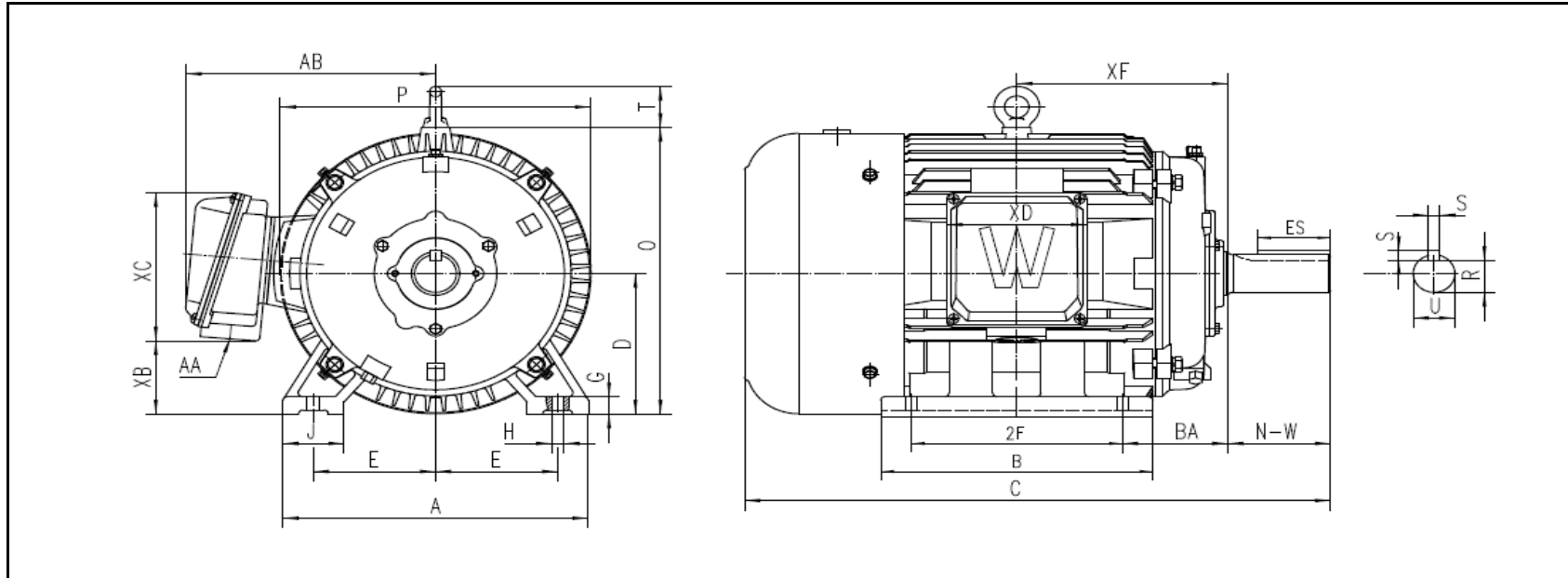
# MOTOR DRAWING

Premium Efficiency Motor: **PEWWE15-12-284T**

WorldWide Electric Corporation

1 (800) 808-2131

Worldwideelectric.net



## DIMENSION - INCHES

MOUNTING					A	B	C	D	G	J	P	O	T	AB
E	2F1	2F	H	BA										
5.5	--	9.5	0.53	4.75	13.74	12.244	26.362	7	0.866	2.756	13.976	14.283	2.047	11.239

SHAFT & KEY				
S	ES	R	N-W	U
0.5	3.28	1.591	4.62	1.875

TERMINAL BOX				
AA	XB	XC	XD	XF
1.5	3.645	7.381	6.299	9.5

# PERFORMANCE CURVES

WorldWide Electric Corporation

1 (800) 808-2131

Worldwideelectric.net



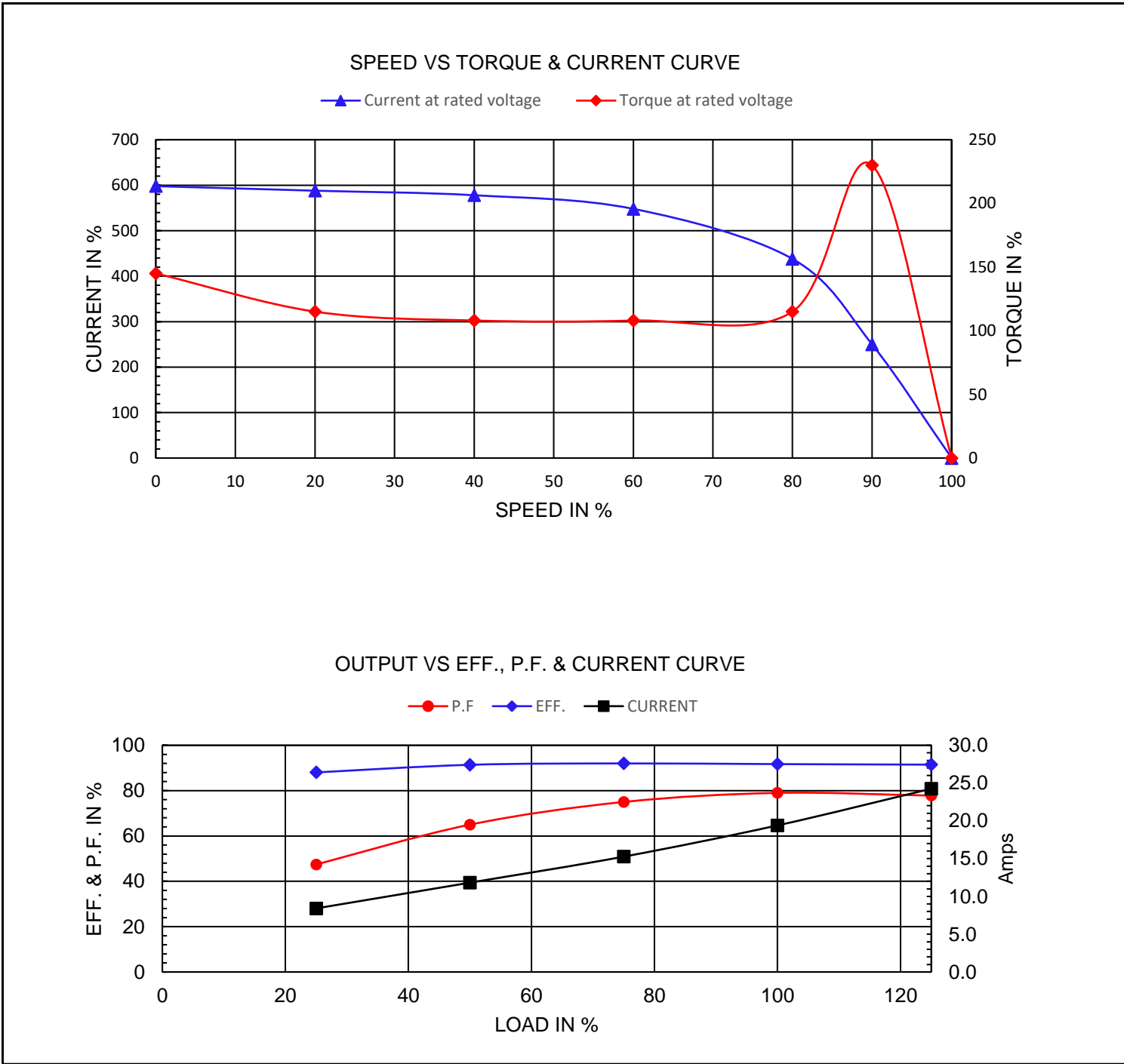
Premium Efficiency Motor:

**PEWWE15-12-284T**

Document Generated: 31-Jul-2023  
 Document ID:

Customer:

Motor Type	PEWWE		FL Speed	1185		
Output Rating (HP)	15		LRT (%FLT)	145	460 volt FLA	19.4 A
Full Load Torque	66.5	lb.ft	BDT (%FLT)	230	230 volt FLA	38.8 A
Rotor Wk^2	3.61	lb-ft^2				



# NAMEPLATE / WIRING

WorldWide Electric Corporation

1 (800) 808-2131

Worldwideelectric.net



Premium Efficiency Motor:

**PEWWE15-12-284T**

Document Generated: 31-Jul-2023  
Document ID:

Customer:

## SAMPLE NAMEPLATE DATA

		<b>NEMA Premium</b>		<b>3-PHASE INDUCTION MOTOR</b>		259277 	 CC006A															
Model			Ser No.			<table border="1"> <tr><td>6</td><td>4</td><td>5</td></tr> <tr><td>7</td><td>8</td><td>9</td></tr> <tr><td>12</td><td>10</td><td>11</td></tr> <tr><td>1</td><td>2</td><td>3</td></tr> <tr><td>L1</td><td>L2</td><td>L3</td></tr> </table>		6	4	5	7	8	9	12	10	11	1	2	3	L1	L2	L3
6	4	5																				
7	8	9																				
12	10	11																				
1	2	3																				
L1	L2	L3																				
HP		S.F.		IP		Encl																
Frame		P.F.		Code		Type																
Voltage	230/460	Hz		Ins Cl		Rating	°C Amb Cont															
Amps		RPM		Design		Date																
Nom. Eff.	FL	% 3/4	% 230/460V	10:1 CT	20:1 VT	PWM VFD	1.0SF															
Class I DIV. 2 Groups A B C D		Amb.40°C	T3C(160°C)	DE Brng																		
Class I Zone 2 IIC		Amb.55°C	T3A(180°C)	ODE Brng																		
				Grease type: LGHP 2 (compatible with polyrex)																		
50Hz	HP	V	A	rpm	S.F1.0																	
<b>WorldWide Electric Corporation</b>																						

Model

HP  S.F.  IP  Encl

Frame  P.F.  Code  Type

Voltage  Hz  Ins Cl  Ambient

Amps  RPM  Design  DE Brng 6311 C3

Nom. Eff.     ODE Brng 6309 C3

Grease type: SKF LGHP 2