

# DATA SHEET

Premium Efficiency Motor: **PEWWE15-18-575-254T**

**60 Hz**

WorldWide Electric Corporation

1 (800) 808-2131

Worldwideelectric.net



Document Generated: 15-Feb-2023  
Document ID:

Customer:

MOTOR INFORMATION	
HP	15
RPM	1800
Phase	3
Frequency	60 Hz
Voltage	575 V
Frame Size	254T
Enclosure	TEFC
Degree of Protection	IP55
Service Factor	1.25
Poles	4
Full Load Speed	1765
Insulation Class	F
Temp Rise	80°C
NEMA Code Letter	G
Duty Cycle	S1 / Continuous
Slip	1.94%
NEMA Design	B
Moment of Inertia	1.73 lb.ft.^2
Locked Rotor Time (Hot)	20 seconds
Sound Pressure Level	67 dB(A)
Number of Starts	2 Cold/ 1 Hot
Max Ambient Temperature	40°C
Max Elevation	1000 m.a.s.l (3300 f.a.s.l)
Mounting	F1
Rotation	Bi-Directional
Area of Classification	Class I, Division 2, Groups A, B, C, D
Inverter Rating	10:1 CT / 20:1 VT PWM Type
Standard	NEMA MG-1
Approvals	CSA-US, CE

EFFICIENCY/POWER FACTOR		
LOAD	EFF	P. F.
100%	92.4 %	0.84
75%	92.7 %	0.79
50%	91.9 %	0.69

TORQUE		
FULL LOAD	LRT	BDT
44.6 lb.ft.	170 %	250 %

AMPERAGE INFORMATION		
	575V	
Full Load Amps	14.5A	
Locked Rotor Amps	92.8A	
No Load Current	6.2A	

BEARING INFORMATION	
DE Bearing	6309 C3
ODE Bearing	6209 C3
Grease Type	SKF LGHP 2
DE Regreasing Interval	5000 Hours
ODE Regreasing Interval	5000 Hours

ADDITIONAL DATA	
F2 Suitable	Yes
Shaft Material	1045 Carbon Steel
Connection Diagram	575V - 3 Lead Y
Approximate Weight	254 lbs.

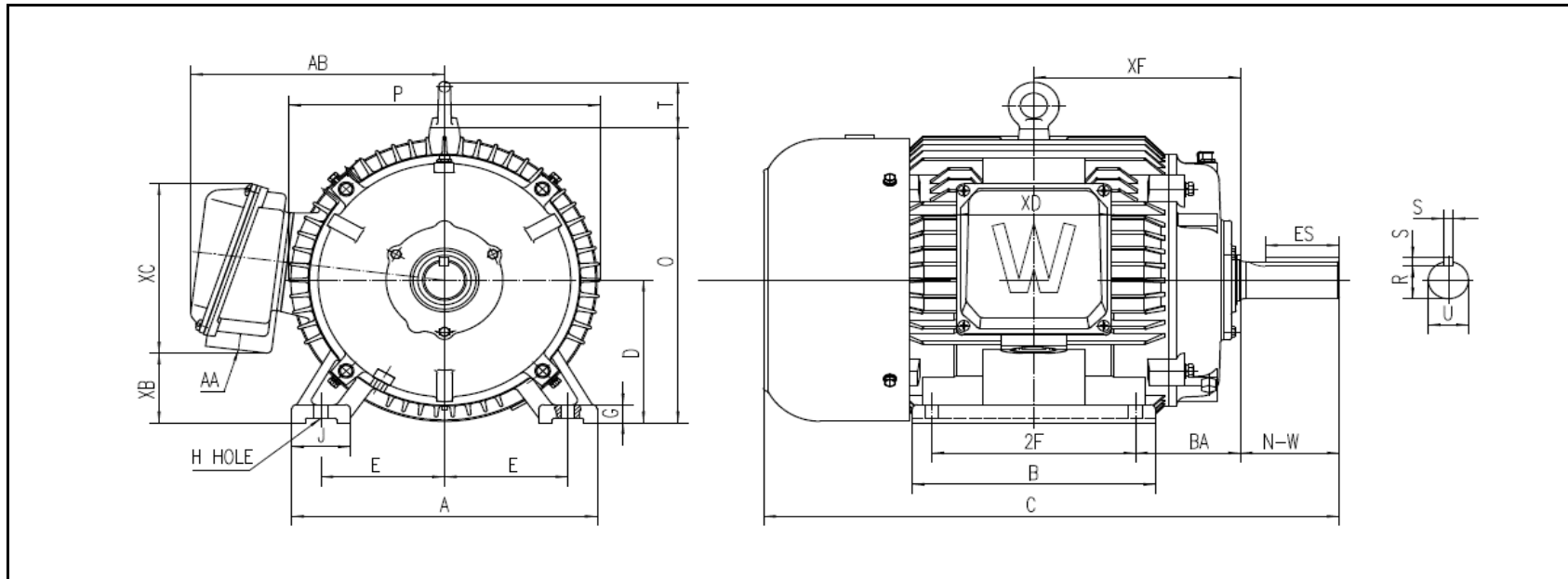
# MOTOR DRAWING

Premium Efficiency Motor: **PEWWE15-18-575-254T**

WorldWide Electric Corporation

1 (800) 808-2131

Worldwideelectric.net



## DIMENSION - INCHES

MOUNTING					A	B	C	D	G	J	P	O	T	AB
E	2F1	2F	H	BA										
5	--	8.25	0.53	4.25	12.362	9.843	23.309	6.25	0.787	2.362	12.598	12.894	2.006	10.276

SHAFT & KEY				
S	ES	R	N-W	U
0.375	2.91	1.416	4	1.625

TERMINAL BOX				
AA	XB	XC	XD	XF
1.5	3.047	7.406	6.299	8.364

# PERFORMANCE CURVES

WorldWide Electric Corporation

1 (800) 808-2131

Worldwideelectric.net



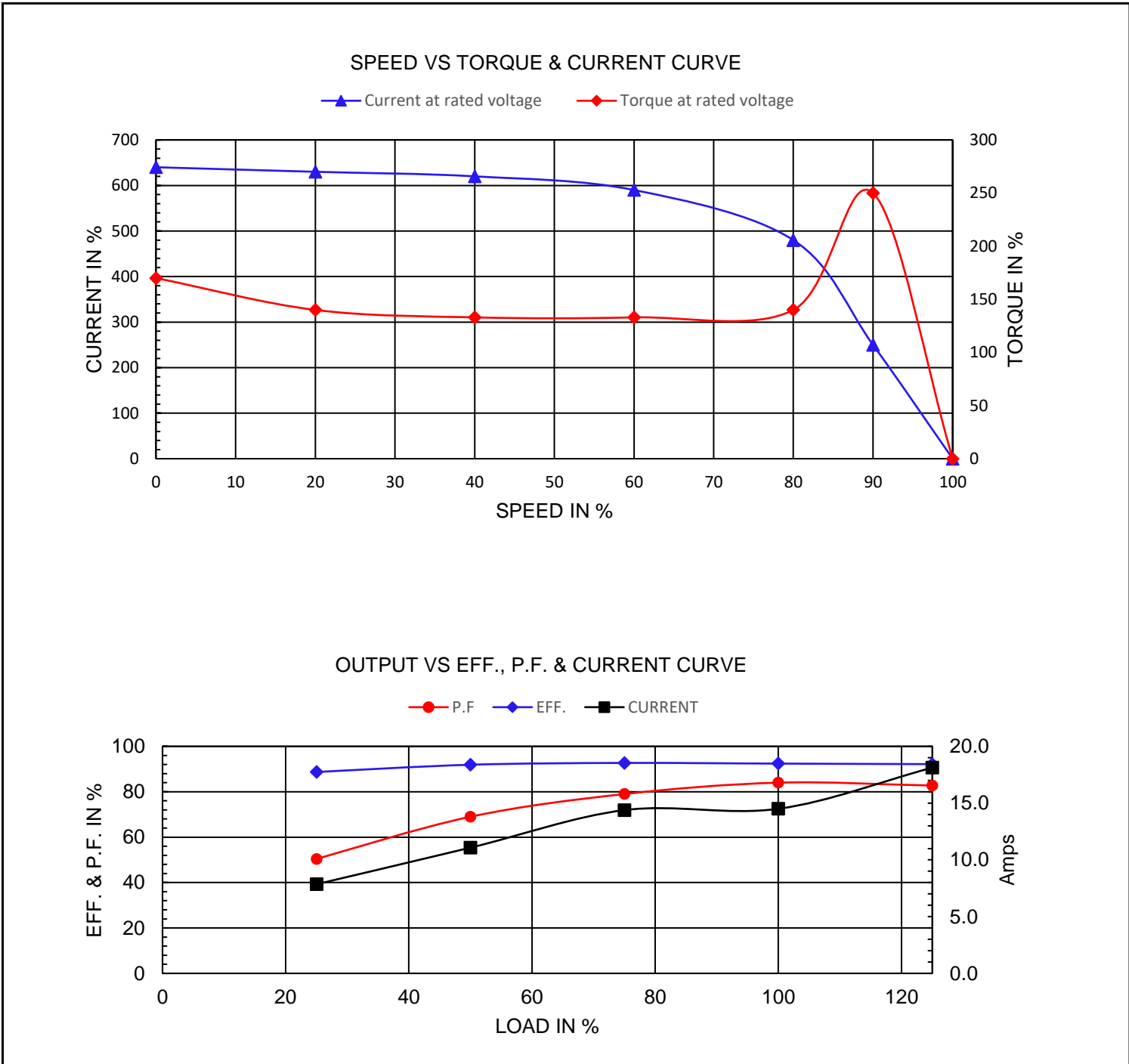
Premium Efficiency Motor:

**PEWWE15-18-575-254T**

Document Generated: 15-Feb-2023  
 Document ID:

Customer:

Motor Type	PEWWE		FL Speed	1765
Output Rating (HP)	15		LRT (%FLT)	170
Full Load Torque	160	lb.ft	BDT (%FLT)	250
Rotor Wk <sup>2</sup>	1.94	lb-ft <sup>2</sup>	575 Volt FLA	14.5A



# NAMEPLATE / WIRING

WorldWide Electric Corporation

1 (800) 808-2131

Worldwideelectric.net



Premium Efficiency Motor: **PEWWE15-18-575-254T**

Document Generated: 15-Feb-2023  
Document ID:

Customer:

## SAMPLE NAMEPLATE DATA

		<b>NEMA Premium</b>		<b>3-PHASE INDUCTION MOTOR</b>		259277 	CE CC006A
Model					Ser No.		
HP		S.F.		IP		Encl	
Frame		P.F.		Code		Type	
Voltage		Hz		Ins Cl		Rating	°C Amb Cont
Amps		RPM		Design		Date	
Nom.Eff.	FL	% 3/4	%	V	10:1 CT	20:1 VT	PWM VFD 1.0SF
Class I DIV. 2 Groups A B C D		Amb.40°C	T3C(160°C)	DE Brng			
Class I Zone 2 IIC		Amb.55°C	T3A(180°C)	ODE Brng			
				Grease type:			
50Hz		HP	V	A	rpm	S.F1.0	
<b>WorldWide Electric Corporation</b>							

<b>Model</b>	PEWWE15-18-575-254T						
<b>HP</b>	15	<b>S.F.</b>	1.25	<b>IP</b>	IP55	<b>Encl</b>	TEFC
<b>Frame</b>	254T	<b>P.F.</b>	0.84	<b>Code</b>	G	<b>Amb.</b>	40°C
<b>Voltage</b>	575 V	<b>Hz</b>	60 Hz	<b>Ins Cl</b>	F	<b>DE Brng</b>	6309 C3
<b>Amps</b>	14.5A	<b>RPM</b>	1765	<b>Design</b>	B	<b>ODE Brng</b>	6209 C3
<b>Nom. Eff.</b>	FL	92.4%	3/4	92.7%			

<b>50Hz</b>	<b>15 HP</b>	<b>500 V</b>	<b>17.1 A</b>	<b>1460 RPM</b>
-------------	--------------	--------------	---------------	-----------------