

DATA SHEET

Premium Efficiency Motor: **PEWWE15-36-215TC**

60 Hz

WorldWide Electric Corporation

1 (800) 808-2131

Worldwideelectric.net



Document Generated: 1-Aug-2023

Document ID:

Customer:

MOTOR INFORMATION

HP	15
RPM	3600
Phase	3
Frequency	60 Hz
Voltage	230/460 V
Frame Size	215TC
Enclosure	TEFC
Degree of Protection	IP55
Service Factor	1.15
Poles	2
Full Load Speed	3505
Insulation Class	F
Temp Rise	80°C
NEMA Code Letter	G
Duty Cycle	S1 / Continuous
Slip	2.64%
NEMA Design	B
Moment of Inertia	0.369 lb.ft.^2
Locked Rotor Time (Hot)	8 seconds
Sound Pressure Level	69 dB(A)
Number of Starts	2 Cold/ 1 Hot
Max Ambient Temperature	40°C
Max Elevation	1000 m.a.s.l (3300 f.a.s.l)
Mounting	F1
Rotation	Bi-Directional
Area of Classification	Class 1 Division 2 Groups A,B,C,D T3C(160°C)
Inverter Rating	10:1 CT / 20:1 VT PWM Type
Standard	NEMA MG-1
Approvals	CSA-US, CE

EFFICIENCY/POWER FACTOR

LOAD	EFF	P. F.
100%	91.0 %	0.89
75%	91.8 %	0.86
50%	91.7 %	0.78

TORQUE

FULL LOAD	LRT	BDT
22.5 lb.ft.	160 %	240 %

AMPERAGE INFORMATION

	230V	460V
Full Load Amps	34.7A	17.3A
Locked Rotor Amps	232A	116A
No Load Current	10.6A	5.3A
Usable at 208V	38.4A	

BEARING INFORMATION

DE Bearing	6308ZZ C3
ODE Bearing	6207ZZ C3
Grease Type	--
DE Regreasing Interval	- Hours
ODE Regreasing Interval	- Hours

ADDITIONAL DATA

F2 Suitable	No
Shaft Material	1045 Carbon Steel
Connection Diagram	230 / 460 V - 9 Lead Δ
Approximate Weight	190 lbs.

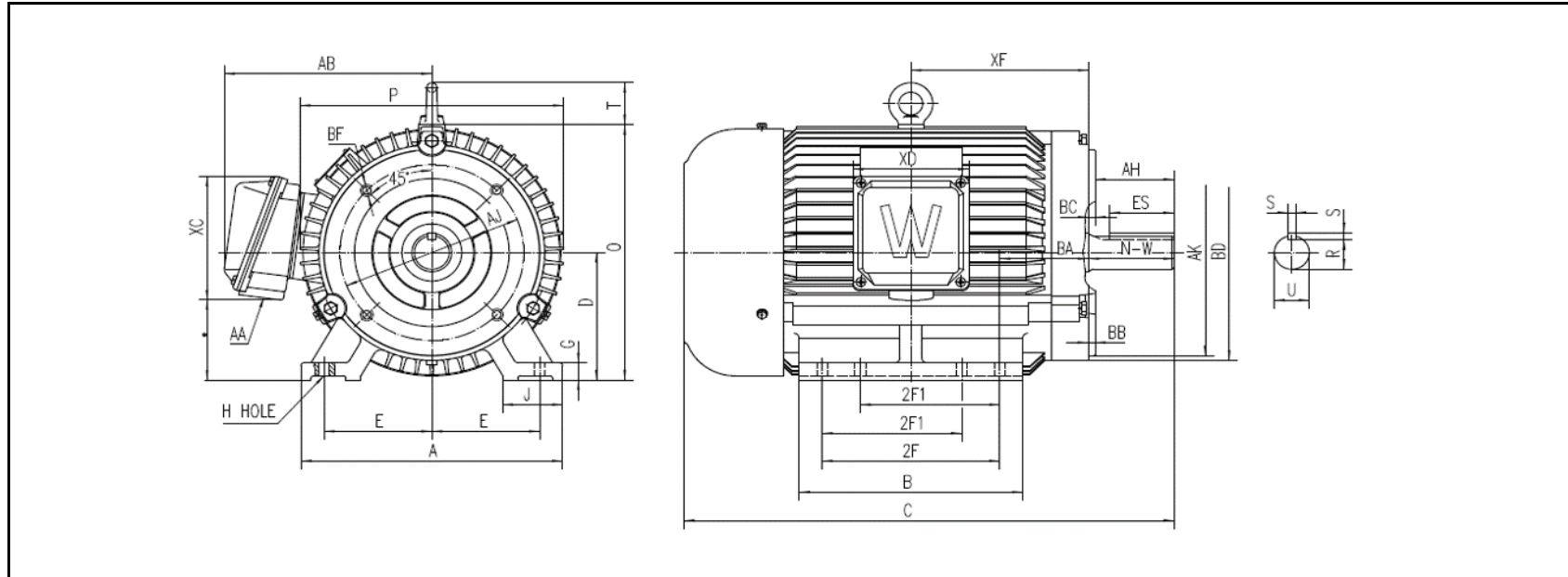
MOTOR DRAWING

Premium Efficiency Motor: **PEWWE15-36-215TC**

WorldWide Electric Corporation

1 (800) 808-2131

Worldwideelectric.net



DIMENSION - INCHES

MOUNTING					A	B	C	D	G	J	P	O	T	AB
E	2F1	2F	H	BA										
4.25	5.5	7	0.41	3.5	10.315	8.819	19.319	5.25	0.709	2.362	10.389	10.526	1.732	8.178

SHAFT & KEY					
S	ES	R	N-W	AH	U
0.312	2.41	1.201	3.38	3.12	1.375

TERMINAL BOX				
AA	XB	XC	XD	XF
1	3.296	5.098	4.567	7.002

FLANGE					
AJ	AK	BB	BD	BF	BC
7.25	8.5	0.25	8.898	1/2-13	0.25

PERFORMANCE CURVES

WorldWide Electric Corporation

1 (800) 808-2131

Worldwideelectric.net



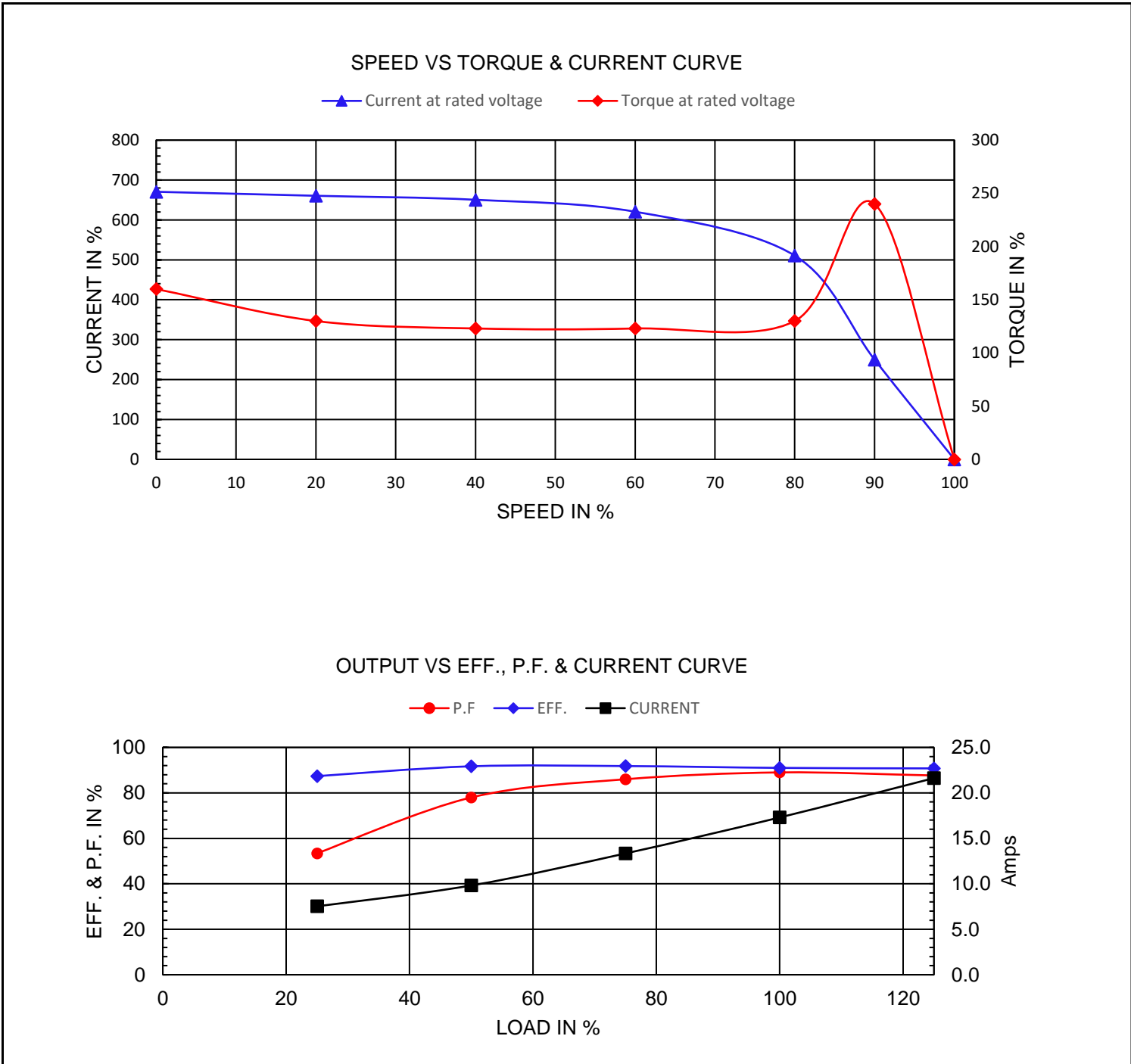
Premium Efficiency Motor:

PEWWE15-36-215TC

Document Generated: 1-Aug-2023
Document ID:

Customer:

Motor Type	PEWWE		FL Speed	3505		
Output Rating (HP)	15		LRT (%FLT)	160	460 volt FLA	17.3
Full Load Torque	22.5	lb.ft	BDT (%FLT)	240	230 volt FLA	34.7
Rotor Wk ²	0.369	lb-ft ²				



NAMEPLATE / WIRING

WorldWide Electric Corporation

1 (800) 808-2131

Worldwideelectric.net



WORLDWIDE
ELECTRIC CORPORATION

Premium Efficiency Motor:

PEWWE15-36-215TC

Document Generated: 1-Aug-2023
Document ID:

Customer:

SAMPLE NAMEPLATE DATA

		NEMA Premium		3-PHASE INDUCTION MOTOR		259277			CC006A
Model			Ser No.			Low Voltage			
HP		S.F.		IP		Encl			
Frame		P.F.		Code		Type			
Voltage	230/460	Hz		Ins Cl		Rating	°C Amb Cont		
Amps		RPM		Design		Date			
Nom. Eff.	FL	% 3/4	%	230/460V	10:1 CT	20:1 VT	PWM	VFD	1.0SF
Class I DIV. 2 Groups A B C D				Amb.40°C	T3C(160°C)	DE Brng			
Class I Zone 2 II C				Amb.55°C	T3A(180°C)	ODE Brng			
				Grease type:					
50Hz		HP	V	A	rpm	S.F1.0			

Model	PEWWE15-36-215TC									
HP	15	S.F.	1.15	IP	IP55	Encl	TEFC			
Frame	215TC	P.F.	0.89	Code	G	Type				
Voltage	230/460 V	Hz	60 Hz	Ins Cl	F	Ambient	40°C			
Amps	34.7/17.3	RPM	3505	Design	B	DE Brng	6308ZZ C3			
Nom. Eff.	FL	91.0%	3/4	91.8%	ODE Brng		6207ZZ C3			
Class 1 Division 2 Groups A,B,C,D					T3C(160°C)		Grease type: --			
50Hz	15 HP	200/400 V	40.6/20.3 A	2895 rpm						