

DATA SHEET

Premium Efficiency Motor: **PEWWE15-36-254T**

60 Hz

WorldWide Electric Corporation

1 (800) 808-2131

Worldwideelectric.net



Document Generated: 31-Jul-2023

Document ID:

Customer:

MOTOR INFORMATION

HP	15
RPM	3600
Phase	3
Frequency	60 Hz
Voltage	230/460 V
Frame Size	254T
Enclosure	TEFC
Degree of Protection	IP55
Service Factor	1.25
Poles	2
Full Load Speed	3540
Insulation Class	F
Temp Rise	80°C
NEMA Code Letter	G
Duty Cycle	S1 / Continuous
Slip	1.66%
NEMA Design	B
Moment of Inertia	0.968 lb.ft.^2
Locked Rotor Time (Hot)	14 seconds
Sound Pressure Level	70 dB(A)
Number of Starts	2 Cold/ 1 Hot
Max Ambient Temperature	40°C
Max Elevation	1000 m.a.s.l (3300 f.a.s.l)
Mounting	F1
Rotation	Bi-Directional
Area of Classification	Class 1 Division 2 Groups A,B,C,D T3C(160°C)
Inverter Rating	10:1 CT / 20:1 VT PWM Type
Standard	NEMA MG-1
Approvals	CSA-US, CE

EFFICIENCY/POWER FACTOR

LOAD	EFF	P. F.
100%	91.0 %	0.88
75%	91.5 %	0.87
50%	90.8 %	0.81

TORQUE

FULL LOAD	LRT	BDT
22.2 lb.ft.	160 %	230 %

AMPERAGE INFORMATION

	230V	460V
Full Load Amps	35.1A	17.5A
Locked Rotor Amps	232A	116A
No Load Current	9.8A	4.9A
Usable at 208V	38.8A	

BEARING INFORMATION

DE Bearing	6309 C3
ODE Bearing	6209 C3
Grease Type	-
DE Regreasing Interval	3000 Hours
ODE Regreasing Interval	3000 Hours

ADDITIONAL DATA

F2 Suitable	Yes
Shaft Material	1045 Carbon Steel
Connection Diagram	230 / 460 V - 9 Lead Δ
Approximate Weight	248 lbs.

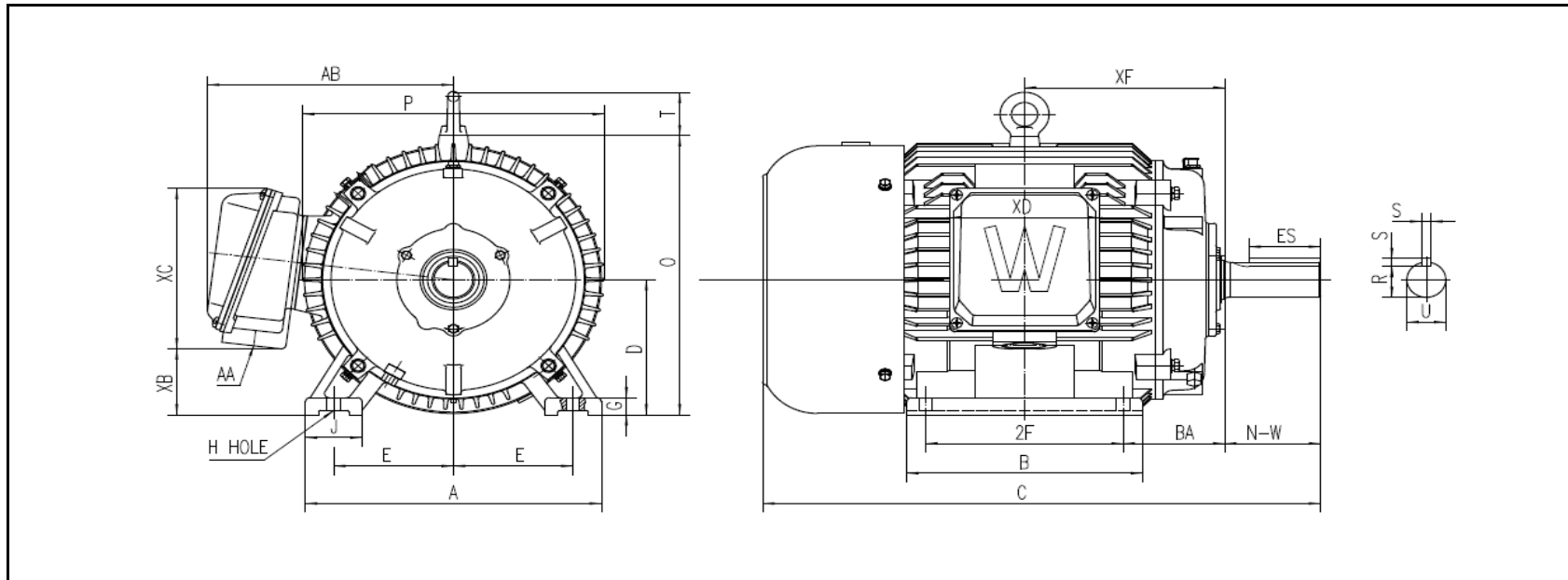
MOTOR DRAWING

Premium Efficiency Motor: **PEWWE15-36-254T**

WorldWide Electric Corporation

1 (800) 808-2131

Worldwideelectric.net



DIMENSION - INCHES

MOUNTING					A	B	C	D	G	J	P	O	T	AB
E	2F1	2F	H	BA										
5	--	8.25	0.53	4.25	12.362	9.843	23.309	6.25	0.787	2.362	12.598	12.894	2.006	10.276

SHAFT & KEY				
S	ES	R	N-W	U
0.375	2.91	1.416	4	1.625

TERMINAL BOX				
AA	XB	XC	XD	XF
1.5	3.047	7.406	6.299	8.364

PERFORMANCE CURVES

WorldWide Electric Corporation

1 (800) 808-2131

Worldwideelectric.net

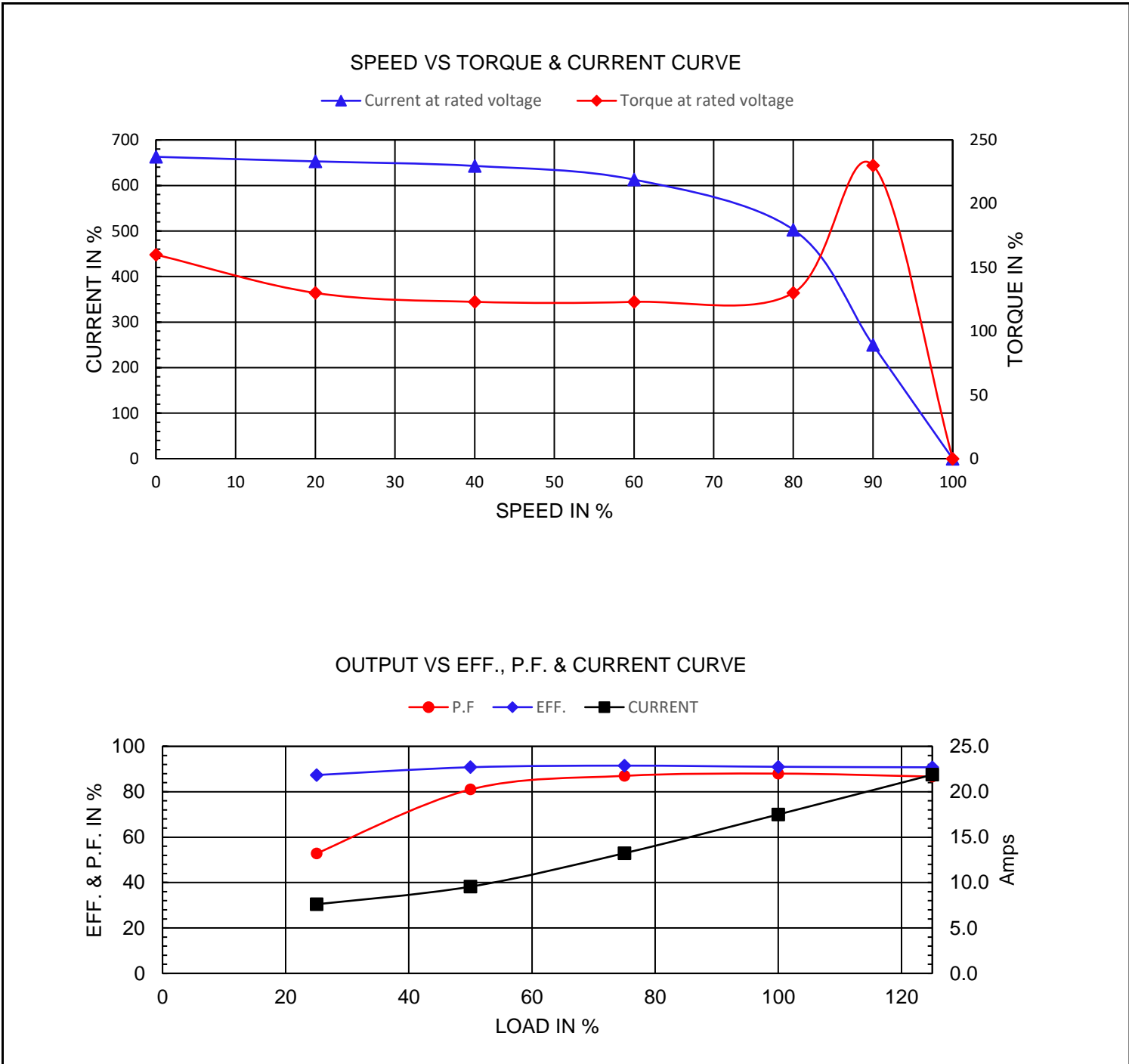


Premium Efficiency Motor:

PEWWE15-36-254T

Document Generated:	31-Jul-2023	Customer:	
Document ID:			

Motor Type	PEWWE			FL Speed	3540		
Output Rating (HP)	15			LRT (%FLT)	160	460 volt FLA	17.5 A
Full Load Torque	22.2	lb.ft		BDT (%FLT)	230	230 volt FLA	35.1 A
Rotor Wk^2	0.968	lb-ft^2					



NAMEPLATE / WIRING

WorldWide Electric Corporation

1 (800) 808-2131

Worldwideelectric.net



Premium Efficiency Motor:

PEWWE15-36-254T

Document Generated: 31-Jul-2023
Document ID:

Customer:

SAMPLE NAMEPLATE DATA

		NEMA Premium		3-PHASE INDUCTION MOTOR		259277 		CC006A
Model				Ser No.				Low Voltage 6 4 5 7 8 9 1 2 3 L1 L2 L3 High Voltage 4 5 6 7 8 9 1 2 3 L1 L2 L3
HP	S.F.		IP		Encl			
Frame	P.F.		Code		Type			
Voltage	230/460	Hz		Ins Cl		Rating	°C Amb Cont	
Amps		RPM		Design		Date		
Nom.Eff.	FL	% 3/4	% 230/460V	10:1 CT	20:1 VT	PWM VFD	1.0SF	
Class I DIV. 2 Groups A B C D			Amb.40°C	T3C(160°C)	DE Brng			
Class I Zone 2 IIC			Amb.55°C	T3A(180°C)	ODE Brng			
			Grease type:					
50Hz		HP	V	A	rpm	S.F1.0		
WorldWide Electric Corporation								

Model	PEWWE15-36-254T						
HP	15	S.F.	1.25	IP	IP55	Encl	TEFC
Frame	254T	P.F.	0.88	Code	G	Type	
Voltage	230/460 V	Hz	60 Hz	Ins Cl	F	Ambient	40°C
Amps	35.1/17.5	RPM	3540	Design	B	DE Brng 6309 C3	
Nom.Eff.	FL	91.0%	3/4	91.5%	ODE Brng 6209 C3		
Class 1 Division 2 Groups A,B,C,D					T3C(160°C)	Grease type: -	
50Hz	15 HP	200/400 V	41.1/20.5 A	2935 rpm			