

DATA SHEET

Premium Efficiency Motor: **PEWWE15-36-575-254T**

60 Hz

WorldWide Electric Corporation

1 (800) 808-2131

Worldwideelectric.net



Document Generated: 15-Feb-2023
Document ID:

Customer:

MOTOR INFORMATION	
HP	15
RPM	3600
Phase	3
Frequency	60 Hz
Voltage	575 V
Frame Size	254T
Enclosure	TEFC
Degree of Protection	IP55
Service Factor	1.25
Poles	2
Full Load Speed	3540
Insulation Class	F
Temp Rise	80°C
NEMA Code Letter	G
Duty Cycle	S1 / Continuous
Slip	1.66%
NEMA Design	B
Moment of Inertia	0.968 lb.ft.^2
Locked Rotor Time (Hot)	14 seconds
Sound Pressure Level	70 dB(A)
Number of Starts	2 Cold/ 1 Hot
Max Ambient Temperature	40°C
Max Elevation	1000 m.a.s.l (3300 f.a.s.l)
Mounting	F1
Rotation	Bi-Directional
Area of Classification	Class I, Division 2, Groups A, B, C, D
Inverter Rating	10:1 CT / 20:1 VT PWM Type
Standard	NEMA MG-1
Approvals	CSA-US, CE

EFFICIENCY/POWER FACTOR		
LOAD	EFF	P. F.
100%	91.0 %	0.88
75%	91.5 %	0.87
50%	90.8 %	0.81

TORQUE		
FULL LOAD	LRT	BDT
22.2 lb.ft.	160 %	230 %

AMPERAGE INFORMATION		
	575V	
Full Load Amps	14A	
Locked Rotor Amps	92.8A	
No Load Current	4.2A	

BEARING INFORMATION	
DE Bearing	6309 C3
ODE Bearing	6209 C3
Grease Type	SKF LGHP 2
DE Regreasing Interval	3000 Hours
ODE Regreasing Interval	3000 Hours

ADDITIONAL DATA	
F2 Suitable	Yes
Shaft Material	1045 Carbon Steel
Connection Diagram	575V - 3 Lead Y
Approximate Weight	248 lbs.

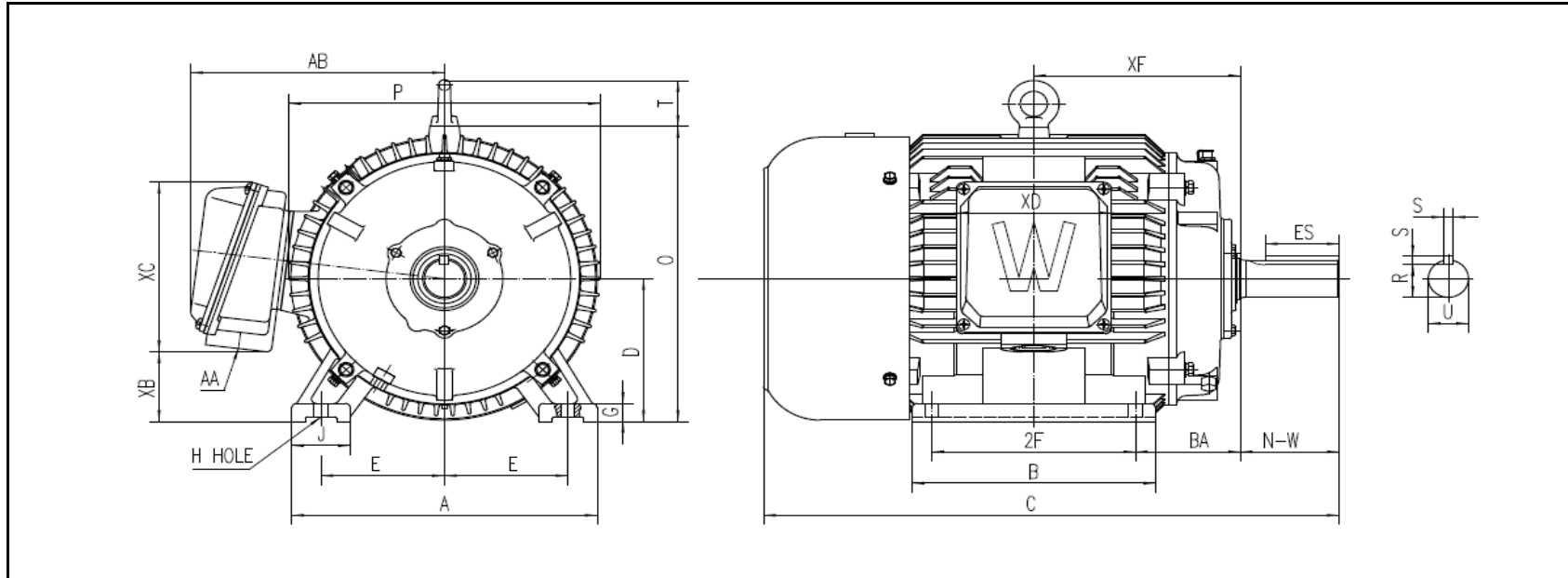
MOTOR DRAWING

Premium Efficiency Motor: **PEWWE15-36-575-254T**

WorldWide Electric Corporation

1 (800) 808-2131

Worldwideelectric.net



DIMENSION - INCHES

MOUNTING					A	B	C	D	G	J	P	O	T	AB
E	2F1	2F	H	BA										
5	--	8.25	0.53	4.25	12.362	9.843	23.309	6.25	0.787	2.362	12.598	12.894	2.006	10.276

SHAFT & KEY				
S	ES	R	N-W	U
0.375	2.91	1.416	4	1.625

TERMINAL BOX				
AA	XB	XC	XD	XF
1.5	3.047	7.406	6.299	8.364

PERFORMANCE CURVES

WorldWide Electric Corporation

1 (800) 808-2131

Worldwideelectric.net



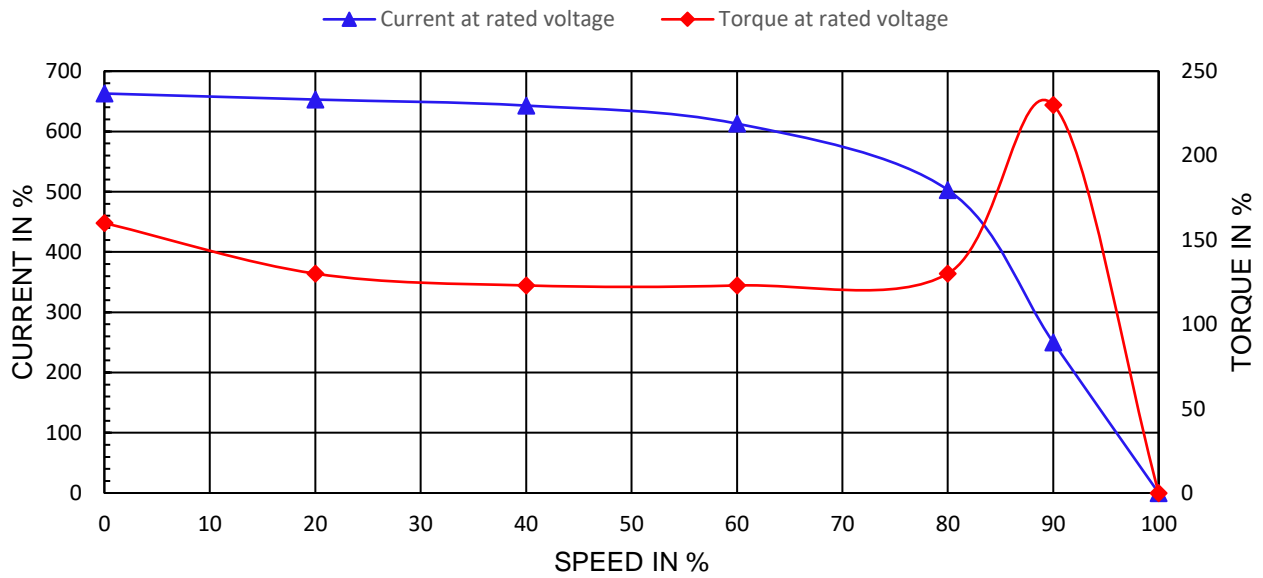
Premium Efficiency Motor:

PEWWE15-36-575-254T

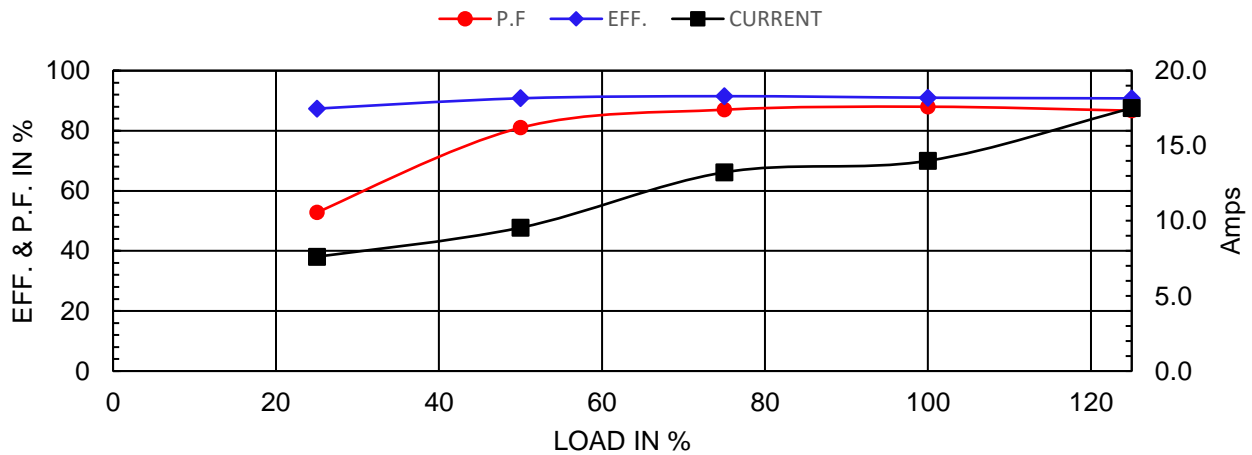
Document Generated:	15-Feb-2023	Customer:	
Document ID:			

Motor Type	PEWWE		
Output Rating (HP)	15	FL Speed	3540
Full Load Torque	135 lb.ft	LRT (%FLT)	160
Rotor Wk ²	1.66 lb-ft ²	BDT (%FLT)	230
		575 Volt FLA	14A

SPEED VS TORQUE & CURRENT CURVE



OUTPUT VS EFF., P.F. & CURRENT CURVE



NAMEPLATE / WIRING

WorldWide Electric Corporation

1 (800) 808-2131

Worldwideelectric.net



Premium Efficiency Motor: **PEWWE15-36-575-254T**

Document Generated: 15-Feb-2023
Document ID:

Customer:

SAMPLE NAMEPLATE DATA

		NEMA Premium		3-PHASE INDUCTION MOTOR		259277	
							CC006A
Model				Ser No.			
HP		S.F.		IP		Encl	
Frame		P.F.		Code		Type	
Voltage		Hz		Ins Cl		Rating	°C Amb Cont
Amps		RPM		Design		Date	
Nom. Eff.	FL	% 3/4	%	V	10:1 CT 20:1 VT PWM VFD 1.0SF		
Class I DIV. 2 Groups A B C D		Amb.40°C	T3C(160°C)		DE Brng		
Class I Zone 2 IIC		Amb.55°C	T3A(180°C)		ODE Brng		
				Grease type:			
				50Hz HP V A rpm S.F1.0			
WorldWide Electric Corporation							

Model	PEWWE15-36-575-254T						
HP	15	S.F.	1.25	IP	IP55	Encl	TEFC
Frame	254T	P.F.	0.88	Code	G	Amb.	40°C
Voltage	575 V	Hz	60 Hz	Ins Cl	F	DE Brng	6309 C3
Amps	14A	RPM	3540	Design	B	ODE Brng	6209 C3
Nom. Eff.	FL	91.0%	3/4	91.5%			

50Hz 15 HP 500 V 16.4 A 2935 RPM