

DATA SHEET

Premium Efficiency Motor: **PEWWE15-9-286T**

60 Hz

WorldWide Electric Corporation

1 (800) 808-2131

Worldwideelectric.net



Document Generated: 31-Jul-2023
Document ID:

Customer:

MOTOR INFORMATION	
HP	15
RPM	900
Phase	3
Frequency	60 Hz
Voltage	230/460 V
Frame Size	286T
Enclosure	TEFC
Degree of Protection	IP55
Service Factor	1.25
Poles	8
Full Load Speed	875
Insulation Class	F
Temp Rise	80°C
NEMA Code Letter	G
Duty Cycle	S1 / Continuous
Slip	2.78%
NEMA Design	B
Moment of Inertia	5.24 lb.ft.^2
Locked Rotor Time (Hot)	14 seconds
Sound Pressure Level	68 dB(A)
Number of Starts	2 Cold/ 1 Hot
Max Ambient Temperature	40°C
Max Elevation	1000 m.a.s.l (3300 f.a.s.l)
Mounting	F1
Rotation	Bi-Directional
Area of Classification	Class 1 Division 2 Groups A,B,C,D T3C(160°C)
Inverter Rating	10:1 CT / 20:1 VT PWM Type
Standard	NEMA MG-1
Approvals	CSA-US, CE

EFFICIENCY/POWER FACTOR		
LOAD	EFF	P. F.
100%	89.5 %	0.78
75%	90.2 %	0.72
50%	89.7 %	0.6

TORQUE		
FULL LOAD	LRT	BDT
90 lb.ft.	180 %	230 %

AMPERAGE INFORMATION		
	230V	460V
Full Load Amps	40.2A	20.1A
Locked Rotor Amps	232A	116A
No Load Current	20A	10A
Usable at 208V	44.5A	

BEARING INFORMATION	
DE Bearing	6311 C3
ODE Bearing	6309 C3
Grease Type	SKF LGHP 2
DE Regreasing Interval	6800 Hours
ODE Regreasing Interval	8500 Hours

ADDITIONAL DATA	
F2 Suitable	Yes
Shaft Material	1045 Carbon Steel
Connection Diagram	230 / 460 V - 12 Lead Δ
Approximate Weight	390 lbs.

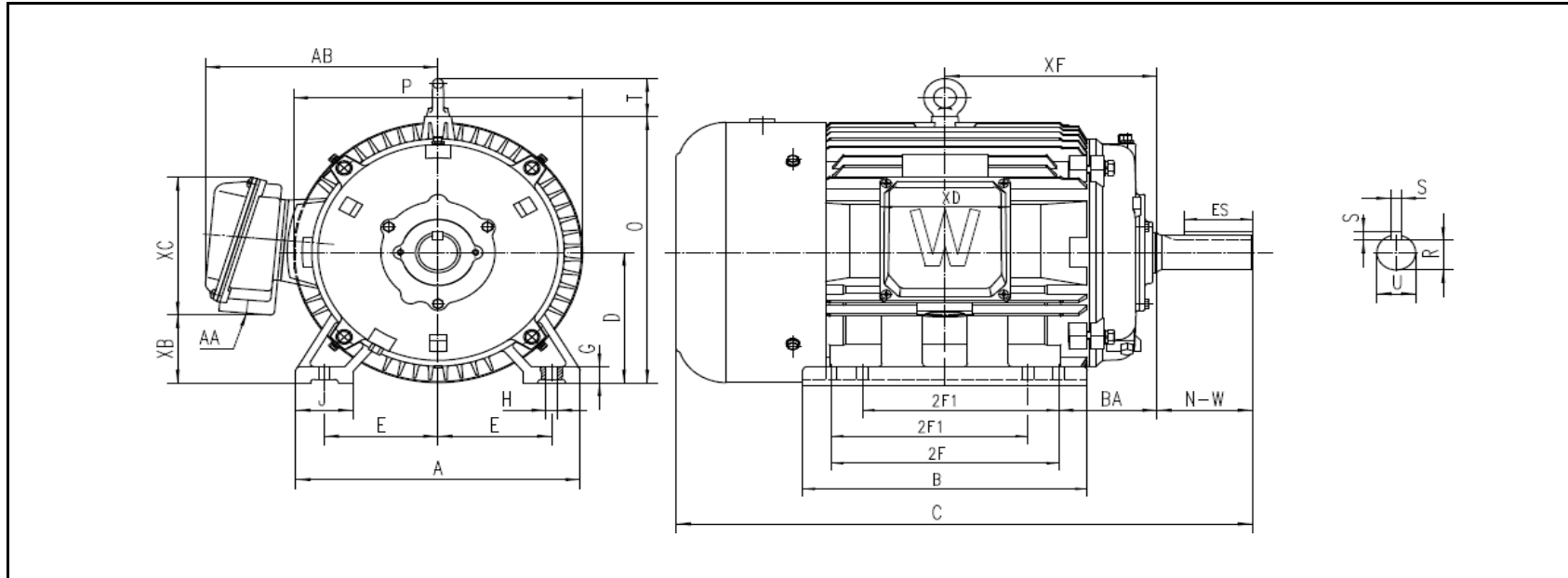
MOTOR DRAWING

Premium Efficiency Motor: **PEWWE15-9-286T**

WorldWide Electric Corporation

1 (800) 808-2131

Worldwideelectric.net



DIMENSION - INCHES

MOUNTING					A	B	C	D	G	J	P	O	T	AB
E	2F1	2F	H	BA										
5.5	9.5	11	0.53	4.75	13.74	13.74	27.858	7	0.866	2.756	13.976	14.283	2.047	11.239

SHAFT & KEY				
S	ES	R	N-W	U
0.5	3.28	1.591	4.62	1.875

TERMINAL BOX				
AA	XB	XC	XD	XF
1.5	3.645	7.381	6.299	10.248

PERFORMANCE CURVES

WorldWide Electric Corporation

1 (800) 808-2131

Worldwideelectric.net



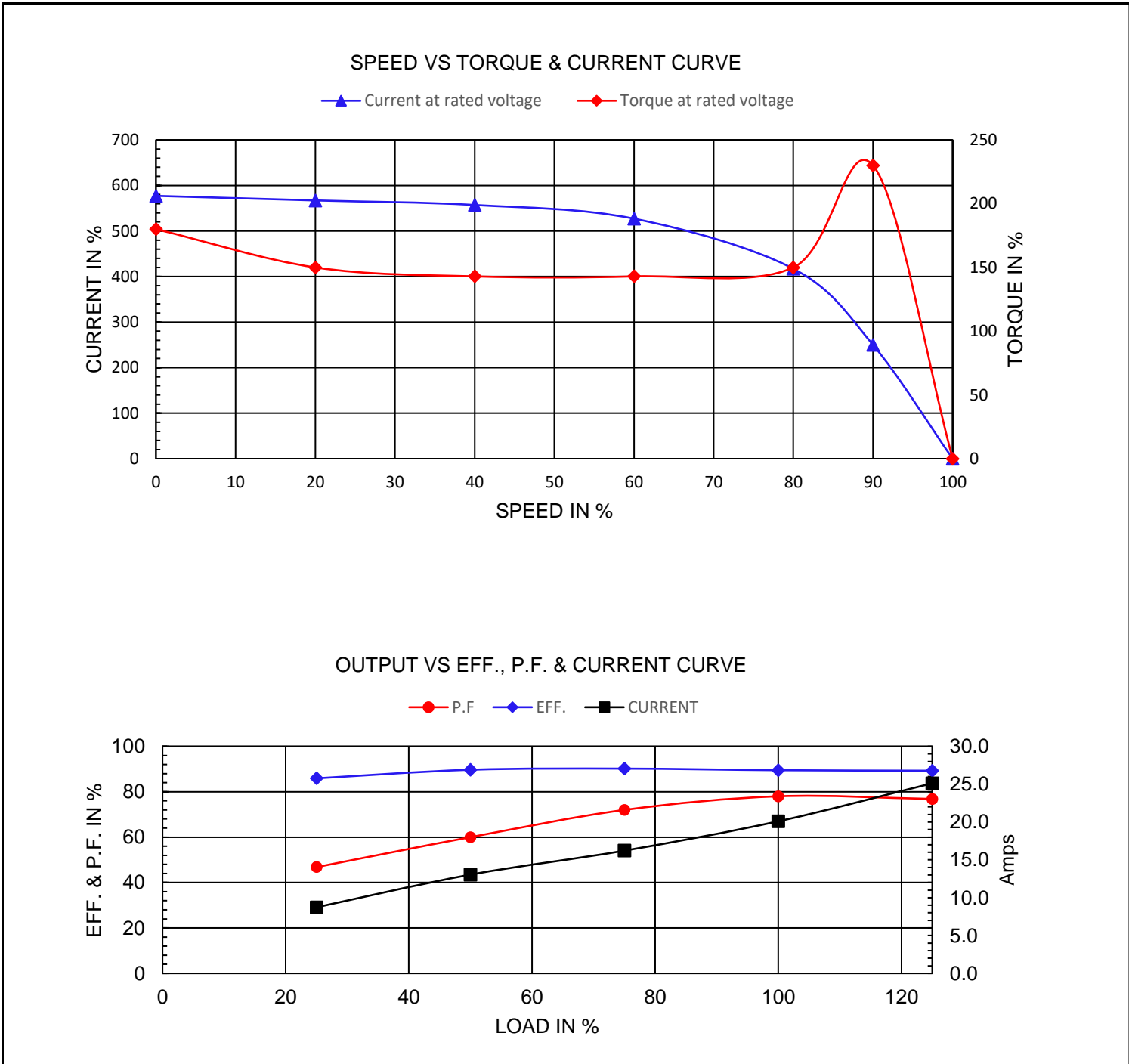
Premium Efficiency Motor:

PEWWE15-9-286T

Document Generated: 31-Jul-2023
 Document ID:

Customer:

Motor Type	PEWWE		FL Speed	875		
Output Rating (HP)	15		LRT (%FLT)	180	460 volt FLA	20.1 A
Full Load Torque	90	lb.ft	BDT (%FLT)	230	230 volt FLA	40.2 A
Rotor Wk^2	5.24	lb-ft^2				



NAMEPLATE / WIRING

WorldWide Electric Corporation

1 (800) 808-2131

Worldwideelectric.net



Premium Efficiency Motor:

PEWWE15-9-286T

Document Generated: 31-Jul-2023
Document ID:

Customer:

SAMPLE NAMEPLATE DATA

		NEMA Premium		3-PHASE INDUCTION MOTOR		259277		CE
Model		Ser No.						Low Voltage
HP	S.F.	IP	Encl					6 4 5
Frame	P.F.	Code	Type					7 8 9
Voltage	Hz	Ins Cl	Rating	°C Amb Cont				12 10 11
Amps	RPM	Design	Date					1 2 3
Nom. Eff.		FL % 3/4 % 230/460V		10:1 CT 20:1 VT PWM VFD 1.0SF				L1 L2 L3
Class I DIV. 2 Groups A B C D		Amb.40°C	T3C(160°C)	DE Brng				High Voltage
Class I Zone 2 IIC		Amb.55°C	T3A(180°C)	ODE Brng				4 5 6
				Grease type: LGHP 2 (compatible with polyrex)				7 8 9
50Hz		HP	V	A	rpm	S.F1.0		
WorldWide Electric Corporation								

Model	PEWWE15-9-286T							
HP	15	S.F.	1.25	IP	IP55	Encl	TEFC	
Frame	286T	P.F.	0.78	Code	G	Type		
Voltage	230/460 V	Hz	60 Hz	Ins Cl	F	Ambient	40°C	
Amps	40.2/20.1	RPM	875	Design	B	DE Brng 6311 C3		
Nom. Eff.	FL	89.5%	3/4	90.2%	ODE Brng 6309 C3			
Class 1 Division 2 Groups A,B,C,D				T3C(160°C)	Grease type: SKF LGHP 2			
50Hz	15 HP	200/400 V	47.7/23.8 A	725 rpm				