

DATA SHEET

Premium Efficiency Motor: **PEWWE150-12-445/7T-IB**

60 Hz

WorldWide Electric Corporation

1 (800) 808-2131

Worldwideelectric.net



Document Generated: 31-Jul-2023
Document ID:

Customer:

MOTOR INFORMATION	
HP	150
RPM	1200
Phase	3
Frequency	60 Hz
Voltage	230/460 V
Frame Size	445/7T
Enclosure	TEFC
Degree of Protection	IP55
Service Factor	1.25
Poles	6
Full Load Speed	1190
Insulation Class	F
Temp Rise	80°C
NEMA Code Letter	G
Duty Cycle	S1 / Continuous
Slip	0.83%
NEMA Design	B
Moment of Inertia	88.7 lb.ft.^2
Locked Rotor Time (Hot)	16 seconds
Sound Pressure Level	76 dB(A)
Number of Starts	2 Cold/ 1 Hot
Max Ambient Temperature	40°C
Max Elevation	1000 m.a.s.l (3300 f.a.s.l)
Mounting	F1
Rotation	Bi-Directional
Area of Classification	Class 1 Division 2 Groups A,B,C,D T3A(180°C)
Inverter Rating	10:1 CT / 20:1 VT PWM Type
Standard	NEMA MG-1
Approvals	CSA-US, CE

EFFICIENCY/POWER FACTOR		
LOAD	EFF	P. F.
100%	95.8 %	0.82
75%	95.9 %	0.78
50%	95.2 %	0.67

TORQUE		
FULL LOAD	LRT	BDT
662 lb.ft.	160 %	250 %

AMPERAGE INFORMATION		
	230V	460V
Full Load Amps	358A	179A
Locked Rotor Amps	2170A	1085A
No Load Current	143A	71.5A
Usable at 208V	395A	

BEARING INFORMATION	
DE Bearing	NU319 C3
ODE Bearing	6313 M/C3
Grease Type	SKF LGHP 2
DE Regreasing Interval	2200 Hours
ODE Regreasing Interval	4500 Hours

ADDITIONAL DATA	
F2 Suitable	Yes
Shaft Material	1045 Carbon Steel
Connection Diagram	230 / 460 V - 12 Lead Δ
Approximate Weight	2013 lbs.

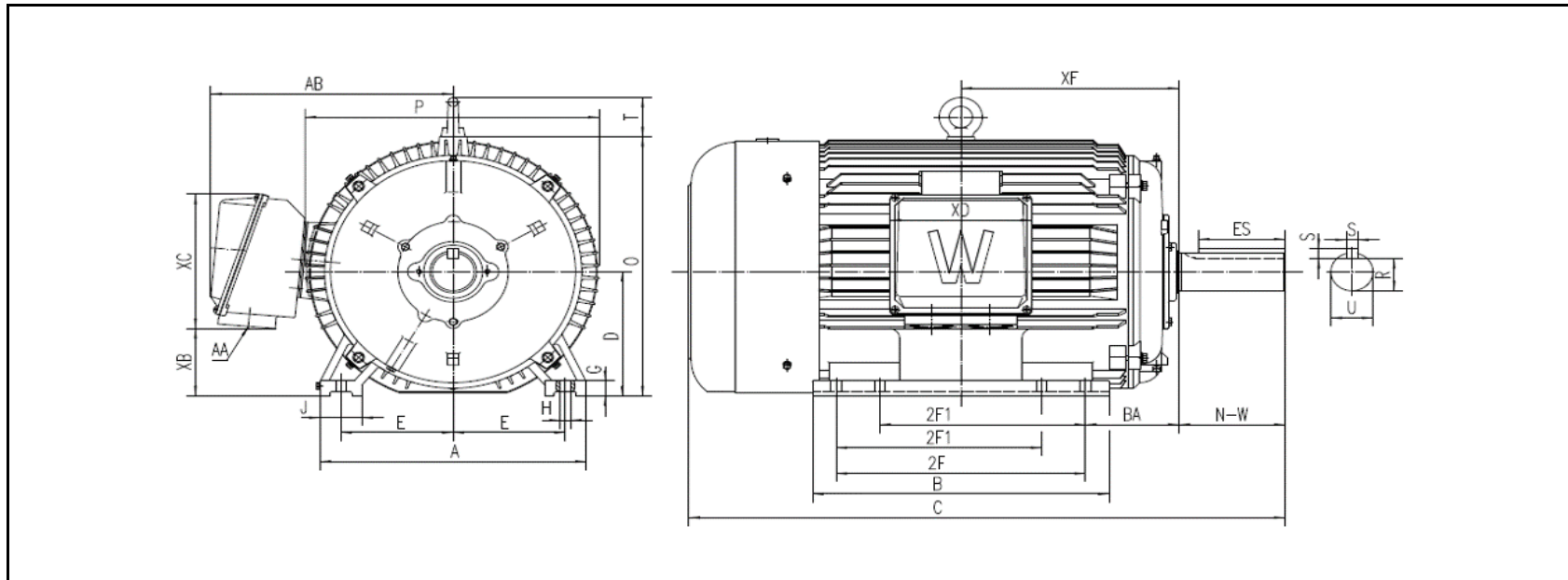
MOTOR DRAWING

Premium Efficiency Motor: **PEWWE150-12-445/7T-IB**

WorldWide Electric Corporation

1 (800) 808-2131

Worldwideelectric.net



DIMENSION - INCHES

MOUNTING					A	B	C	D	G	J	P	O	T	AB
E	2F1	2F	H	BA										
9	16.5	20	0.81	7.5	21.339	23.78	47.813	11	1.378	3.346	23.574	22.969	3.465	19.436

SHAFT & KEY				
S	ES	R	N-W	U
0.875	6.91	2.88	8.5	3.375

TERMINAL BOX				
AA	XB	XC	XD	XF
2 X 3	5.97	11.905	11.339	17.5

PERFORMANCE CURVES

WorldWide Electric Corporation

1 (800) 808-2131

Worldwideelectric.net



Premium Efficiency Motor:

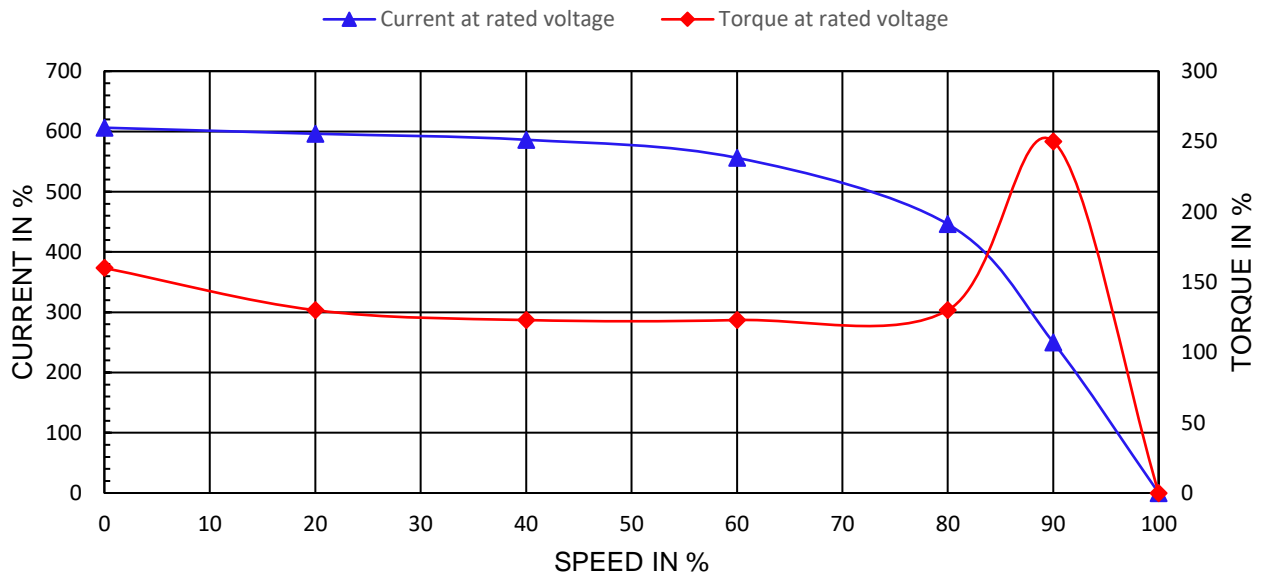
PEWWE150-12-445/7T-IB

Document Generated: 31-Jul-2023
 Document ID:

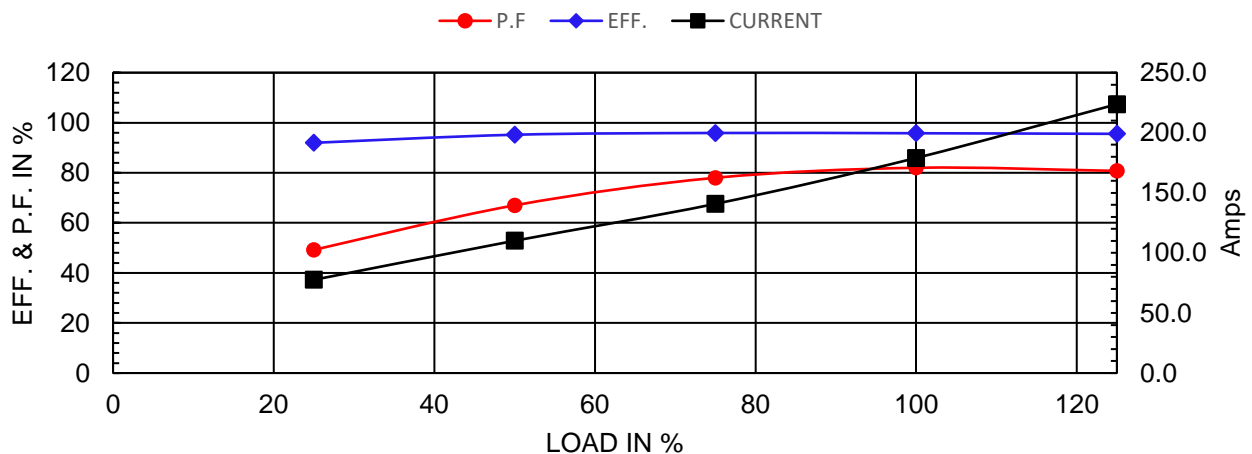
Customer:

Motor Type	PEWWE		FL Speed	1190	
Output Rating (HP)	150		LRT (%FLT)	160	460 volt FLA 179 A
Full Load Torque	662 lb.ft		BDT (%FLT)	250	230 volt FLA 358 A
Rotor Wk^2	88.7 lb-ft^2				

SPEED VS TORQUE & CURRENT CURVE



OUTPUT VS EFF., P.F. & CURRENT CURVE



NAMEPLATE / WIRING

WorldWide Electric Corporation

1 (800) 808-2131

Worldwideelectric.net



Premium Efficiency Motor:

PEWWE150-12-445/7T-IB

Document Generated: 31-Jul-2023
Document ID:

Customer:

SAMPLE NAMEPLATE DATA

				3-PHASE INDUCTION MOTOR		259277 	
Model <input type="text"/>		Ser No. <input type="text"/>		Low Voltage		CC006A	
HP <input type="text"/>	S.F. <input type="text"/>	IP <input type="text"/>	Encl <input type="text"/>	6 4 5 7 8 9 12 10 11 1 2 3 L1 L2 L3		High Voltage	
Frame <input type="text"/>	P.F. <input type="text"/>	Code <input type="text"/>	Type <input type="text"/>	4 5 6 7 8 9 12 10 11 1 2 3 L1 L2 L3		10:1 CT 20:1 VT PWM VFD 1.0SF	
Voltage <input type="text"/> 230/460	Hz <input type="text"/>	Ins Cl <input type="text"/>	Rating <input type="text"/>	°C Amb Cont		DE Brng	
Amps <input type="text"/>	RPM <input type="text"/>	Design <input type="text"/>	Date <input type="text"/>	Class I DIV. 2 Groups A B C D		Amb.40°C	
Nom.Eff. <input type="text"/> FL	% 3/4 <input type="text"/>	% 230/460V <input type="text"/>	10:1 CT <input type="text"/>	20:1 VT <input type="text"/>	PWM <input type="text"/>	VFD <input type="text"/>	1.0SF <input type="text"/>
Class I Zone 2 IIC		Amb.55°C	Grease type: LGHP 2 (compatible with polyrex)		LEADGO		
50Hz		HP	V	A	rpm	1.0SF	
WorldWide Electric Corporation							

Model

HP S.F. IP Encl

Frame P.F. Code Type

Voltage Hz Ins Cl Ambient

Amps RPM Design DE Brng

Nom.Eff. ODE Brng

Class 1 Division 2 Groups A,B,C,D Grease type:

50Hz A