

# DATA SHEET

Premium Efficiency Motor: **PEWWE150-18-445TC**

**60 Hz**

WorldWide Electric Corporation

1 (800) 808-2131

Worldwideelectric.net



Document Generated: 1-Aug-2023

Document ID:

Customer:

## MOTOR INFORMATION

HP	150
RPM	1800
Phase	3
Frequency	60 Hz
Voltage	230/460 V
Frame Size	445TC
Enclosure	TEFC
Degree of Protection	IP55
Service Factor	1.25
Poles	4
Full Load Speed	1790
Insulation Class	F
Temp Rise	80°C
NEMA Code Letter	G
Duty Cycle	S1 / Continuous
Slip	0.55%
NEMA Design	B
Moment of Inertia	45.9 lb.ft.^2
Locked Rotor Time (Hot)	19 seconds
Sound Pressure Level	77 dB(A)
Number of Starts	2 Cold/ 1 Hot
Max Ambient Temperature	40°C
Max Elevation	1000 m.a.s.l (3300 f.a.s.l)
Mounting	F1
Rotation	Bi-Directional
Area of Classification	Class 1 Division 2 Groups A,B,C,D T3A(180°C)
Inverter Rating	10:1 CT / 20:1 VT PWM Type
Standard	NEMA MG-1
Approvals	CSA-US, CE

## EFFICIENCY/POWER FACTOR

LOAD	EFF	P. F.
100%	95.8 %	0.84
75%	96.1 %	0.81
50%	95.9 %	0.73

## TORQUE

FULL LOAD	LRT	BDT
440 lb.ft.	160 %	240 %

## AMPERAGE INFORMATION

	230V	460V
Full Load Amps	349A	175A
Locked Rotor Amps	2170A	1085A
No Load Current	116A	58A
Usable at 208V	386A	

## BEARING INFORMATION

DE Bearing	6318 C3
ODE Bearing	6313 C3
Grease Type	SKF LGHP 2
DE Regreasing Interval	1500 Hours
ODE Regreasing Interval	3000 Hours

## ADDITIONAL DATA

F2 Suitable	Yes
Shaft Material	1045 Carbon Steel
Connection Diagram	230 / 460 V - 12 Lead Δ
Approximate Weight	1570 lbs.

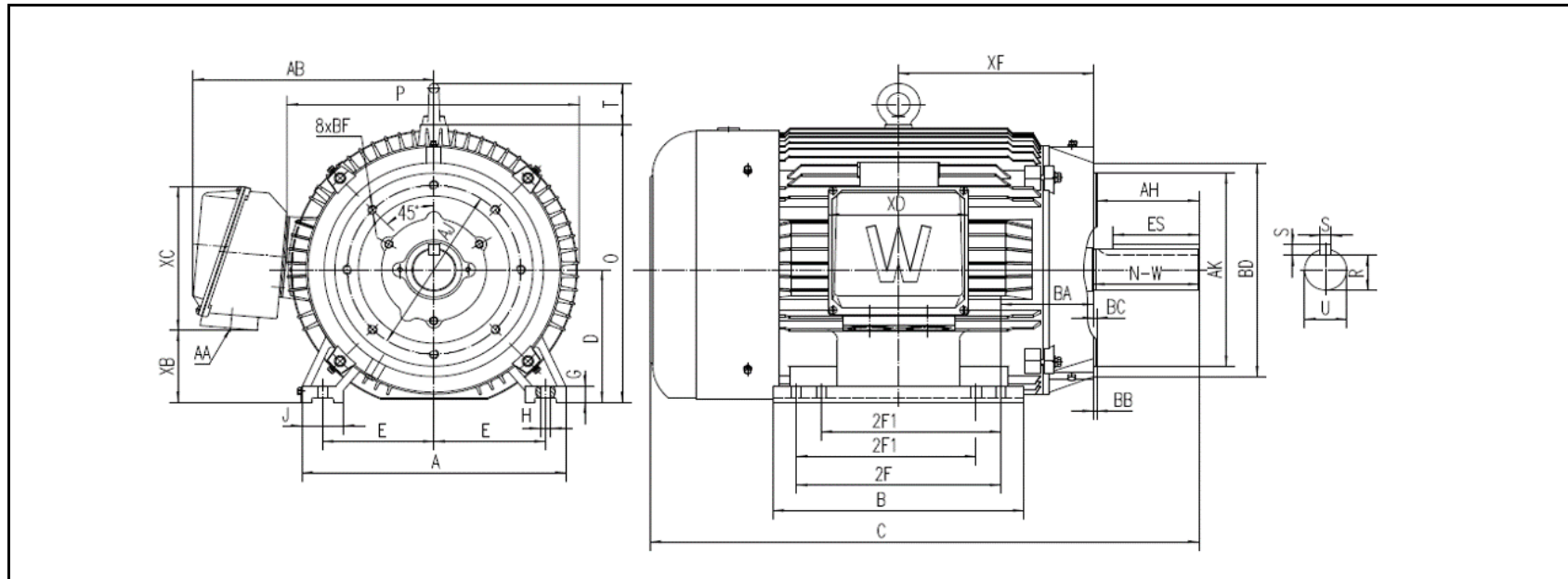
# MOTOR DRAWING

Premium Efficiency Motor: **PEWWE150-18-445TC**

WorldWide Electric Corporation

1 (800) 808-2131

Worldwideelectric.net



## DIMENSION - INCHES

MOUNTING					A	B	C	D	G	J	P	O	T	AB
E	2F1	2F	H	BA										
9	14.5	16.5	0.81	7.5	21.339	20.276	44.309	11	1.378	3.346	23.574	22.969	3.465	19.436

SHAFT & KEY					
S	ES	R	N-W	AH	U
0.875	6.91	2.88	8.5	8.25	3.375

TERMINAL BOX				
AA	XB	XC	XD	XF
2 X 3	5.97	11.905	11.339	15.748

FLANGE					
AJ	AK	BB	BD	BF	BC
14	16	0.25	17.17	5/8-11	0.25

# PERFORMANCE CURVES

WorldWide Electric Corporation

1 (800) 808-2131

Worldwideelectric.net



Premium Efficiency Motor:

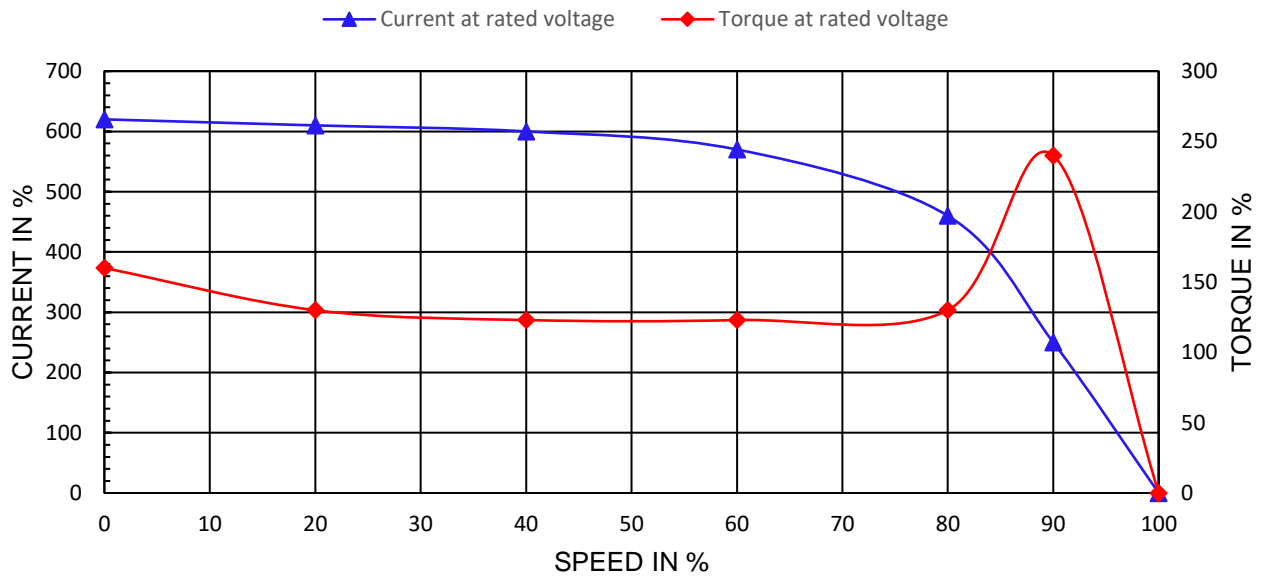
**PEWWE150-18-445TC**

Document Generated: 1-Aug-2023  
Document ID:

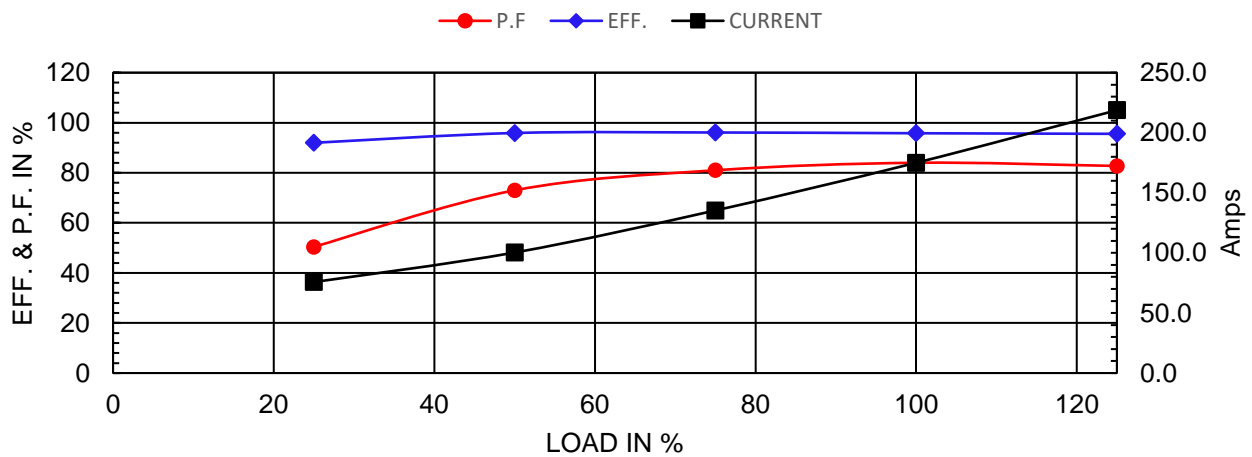
Customer:

Motor Type	PEWWE		FL Speed	1790	
Output Rating (HP)	150		LRT (%FLT)	160	460 volt FLA 175
Full Load Torque	440 lb.ft		BDT (%FLT)	240	230 volt FLA 349
Rotor Wk <sup>2</sup>	45.9 lb-ft <sup>2</sup>				

SPEED VS TORQUE & CURRENT CURVE



OUTPUT VS EFF., P.F. & CURRENT CURVE



# NAMEPLATE / WIRING

WorldWide Electric Corporation

1 (800) 808-2131

Worldwideelectric.net



**WORLDWIDE**  
ELECTRIC CORPORATION

Premium Efficiency Motor:

**PEWWE150-18-445TC**

Document Generated: 1-Aug-2023  
Document ID:

Customer:

## SAMPLE NAMEPLATE DATA

		<b>NEMA Premium</b>		<b>3-PHASE INDUCTION MOTOR</b>		259277 	<b>CE</b> CC006A
Model			Ser No.			<b>Low Voltage</b> 6 4 5 7 8 9 12 10 11 1 2 3 L1 L2 L3	
HP	S.F.	IP	Encl				
Frame	P.F.	Code	Type				
Voltage	230/460	Hz	Ins Cl	Rating	°C Amb Cont		
Amps		RPM	Design	Date			
Nom.Eff.	FL	% 3/4	% 230/460V	10:1 CT	20:1 VT	PWM	VFD 1.0SF
Class I DIV. 2 Groups A B C D			Amb.40°C	DE Brng			
Class I Zone 2 IIC			Amb.55°C	ODE Brng			
				Grease type: LGHP 2 (compatible with polyrex)			
50Hz		HP	V	A	rpm	1.0SF	
<b>WorldWide Electric Corporation</b>							

Model	PEWWE150-18-445TC						
HP	150	S.F.	1.25	IP	IP55	Encl	TEFC
Frame	445TC	P.F.	0.84	Code	G	Type	
Voltage	230/460 V	Hz	60 Hz	Ins Cl	F	Ambient	40°C
Amps	349/175	RPM	1790	Design	B	DE Brng	6318 C3
Nom.Eff.	FL	95.8%	3/4	96.1%		ODE Brng	6313 C3
Class 1 Division 2 Groups A,B,C,D						T3A(180°C)	Grease type: SKF LGHP 2
50Hz	150 HP	200/400 V	407/203	A	1490 rpm		