

# DATA SHEET

Premium Efficiency Motor: **PEWWE150-18-445TSC**

**60 Hz**

WorldWide Electric Corporation

1 (800) 808-2131

Worldwideelectric.net



Document Generated: 1-Aug-2023  
Document ID:

Customer:

| MOTOR INFORMATION       |  |
|-------------------------|--|
| HP                      | 150  |
| RPM                     | 1800   |
| Phase                   | 3  |
| Frequency               | 60 Hz  |
| Voltage                 | 230/460 V                                    |
| Frame Size              | 445TSC                                       |
| Enclosure               | TEFC   |
| Degree of Protection    | IP55   |
| Service Factor          | 1.25   |
| Poles                   | 4  |
| Full Load Speed         | 1790   |
| Insulation Class        | F  |
| Temp Rise               | 80°C   |
| NEMA Code Letter        | G  |
| Duty Cycle              | S1 / Continuous                              |
| Slip                    | 0.55%  |
| NEMA Design             | B  |
| Moment of Inertia       | 45.9 lb.ft.^2                                |
| Locked Rotor Time (Hot) | 19 seconds                                   |
| Sound Pressure Level    | 77 dB(A)                                     |
| Number of Starts        | 2 Cold/ 1 Hot                                |
| Max Ambient Temperature | 40°C   |
| Max Elevation           | 1000 m.a.s.l (3300 f.a.s.l)                  |
| Mounting                | F1   |
| Rotation                | Bi-Directional                               |
| Area of Classification  | Class 1 Division 2 Groups A,B,C,D T3A(180°C) |
| Inverter Rating         | 10:1 CT / 20:1 VT PWM Type                   |
| Standard                | NEMA MG-1                                    |
| Approvals               | CSA-US, CE                                   |

| EFFICIENCY/POWER FACTOR |        |       |
|-------------------------|--------|-------|
| LOAD                    | EFF    | P. F. |
| 100%                    | 95.8 % | 0.84  |
| 75%                     | 96.1 % | 0.81  |
| 50%                     | 95.9 % | 0.73  |

| TORQUE     |       |       |
|------------|-------|-------|
| FULL LOAD  | LRT   | BDT   |
| 440 lb.ft. | 160 % | 240 % |

| AMPERAGE INFORMATION |       |       |
|----------------------|-------|-------|
|                      | 230V  | 460V  |
| Full Load Amps       | 349A  | 175A  |
| Locked Rotor Amps    | 2170A | 1085A |
| No Load Current      | 116A  | 58A   |
| Usable at 208V       | 386A  |       |

| BEARING INFORMATION     |            |
|-------------------------|------------|
| DE Bearing              | 6318 C3    |
| ODE Bearing             | 6313 C3    |
| Grease Type             | SKF LGHP 2 |
| DE Regreasing Interval  | 1500 Hours |
| ODE Regreasing Interval | 3000 Hours |

| ADDITIONAL DATA    |                         |
|--------------------|-------------------------|
| F2 Suitable        | Yes                     |
| Shaft Material     | 1045 Carbon Steel       |
| Connection Diagram | 230 / 460 V - 12 Lead Δ |
| Approximate Weight | 1570 lbs.               |

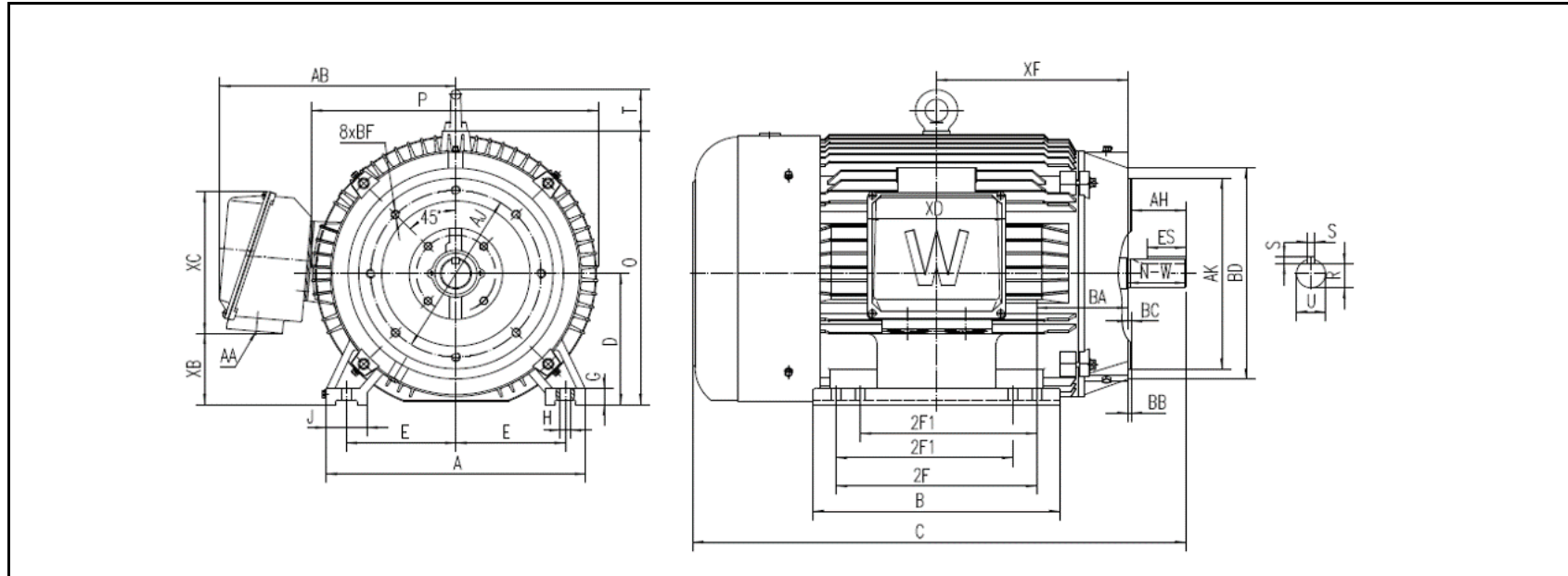
# MOTOR DRAWING

Premium Efficiency Motor: **PEWWE150-18-445TSC**

WorldWide Electric Corporation

1 (800) 808-2131

Worldwideelectric.net



## DIMENSION - INCHES

| MOUNTING |      |      |      |     | A      | B      | C      | D  | G     | J     | P      | O      | T     | AB     |
|----------|------|------|------|-----|--------|--------|--------|----|-------|-------|--------|--------|-------|--------|
| E        | 2F1  | 2F   | H    | BA  |        |        |        |    |       |       |        |        |       |        |
| 9        | 14.5 | 16.5 | 0.81 | 7.5 | 21.339 | 20.276 | 40.553 | 11 | 1.378 | 3.346 | 23.574 | 22.969 | 3.465 | 19.436 |

| SHAFT & KEY |      |       |      |     |       |
|-------------|------|-------|------|-----|-------|
| S           | ES   | R     | N-W  | AH  | U     |
| 0.625       | 3.03 | 2.021 | 4.75 | 4.5 | 2.375 |

| TERMINAL BOX |      |        |        |        |
|--------------|------|--------|--------|--------|
| AA           | XB   | XC     | XD     | XF     |
| 2 X 3        | 5.97 | 11.905 | 11.339 | 15.748 |

| FLANGE |    |      |        |        |      |
|--------|----|------|--------|--------|------|
| AJ     | AK | BB   | BD     | BF     | BC   |
| 14     | 16 | 0.25 | 17.717 | 5/8-11 | 0.25 |

# PERFORMANCE CURVES

WorldWide Electric Corporation

1 (800) 808-2131

Worldwideelectric.net



Premium Efficiency Motor:

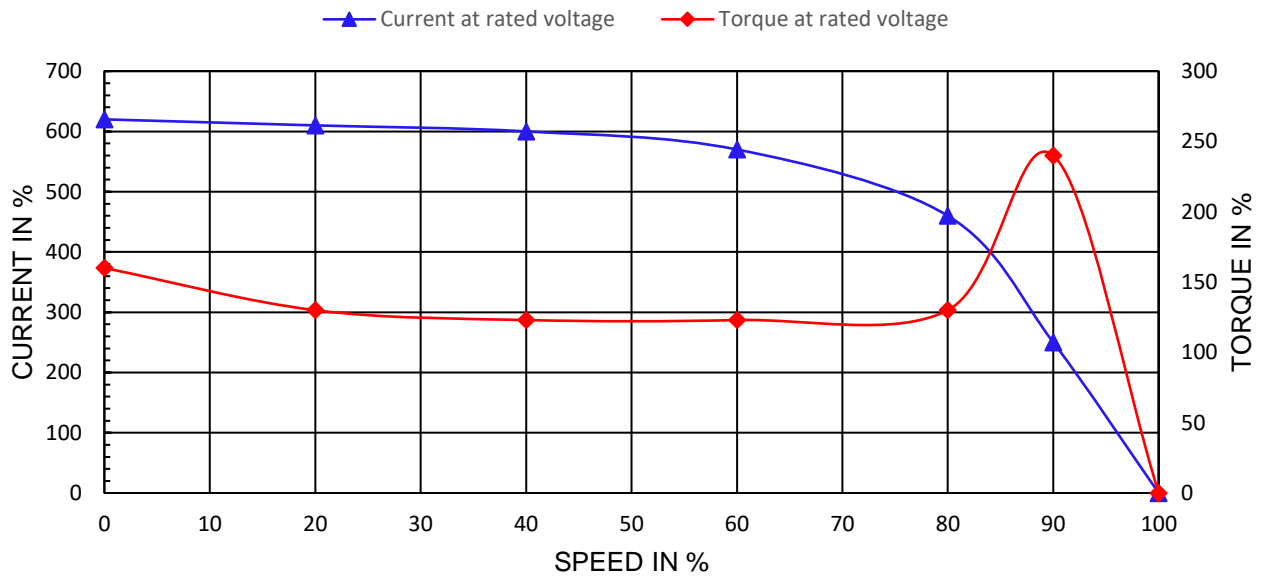
**PEWWE150-18-445TSC**

Document Generated: 1-Aug-2023  
 Document ID:

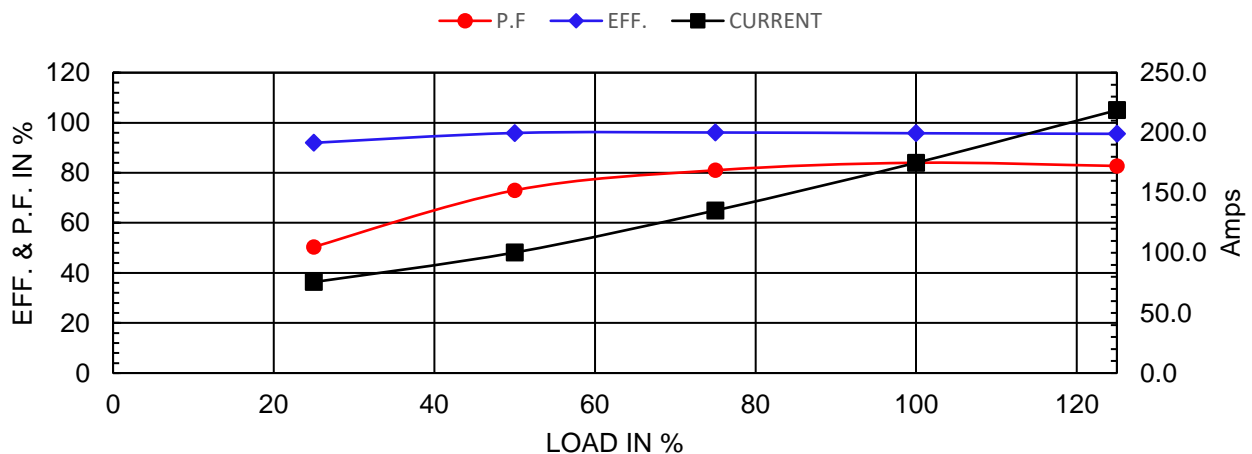
Customer:

|                       |                         |  |            |      |                  |
|-----------------------|-------------------------|--|------------|------|------------------|
| Motor Type            | PEWWE                   |  | FL Speed   | 1790 |                  |
| Output Rating (HP)    | 150                     |  | LRT (%FLT) | 160  | 460 volt FLA 175 |
| Full Load Torque      | 440 lb.ft               |  | BDT (%FLT) | 240  | 230 volt FLA 349 |
| Rotor Wk <sup>2</sup> | 45.9 lb-ft <sup>2</sup> |  |            |      |                  |

SPEED VS TORQUE & CURRENT CURVE



OUTPUT VS EFF., P.F. & CURRENT CURVE



# NAMEPLATE / WIRING

WorldWide Electric Corporation

1 (800) 808-2131

Worldwideelectric.net



Premium Efficiency Motor:

**PEWWE150-18-445TSC**

Document Generated: 1-Aug-2023  
Document ID:

Customer:

## SAMPLE NAMEPLATE DATA

|                                       |         |                     |         |   |         |  |             |           |
|---------------------------------------|---------|---------------------|---------|---|---------|--|-------------|-----------|
|                                       |         | <b>NEMA Premium</b> |         | <b>3-PHASE INDUCTION MOTOR</b>                |         | 259277<br>   |             | CC006A    |
| Model                                 |         |                     | Ser No. |   |         | <b>Low Voltage</b><br>6 4 5<br>7 8 9<br>12 10 11<br>1 2 3<br>L1 L2 L3  |             |           |
| HP                                    |         | S.F.                |         | IP  |         | Encl   |             |           |
| Frame                                 |         | P.F.                |         | Code  |         | Type   |             |           |
| Voltage                               | 230/460 | Hz                  |         | Ins Cl  |         | Rating   | °C Amb Cont |           |
| Amps                                  |         | RPM                 |         | Design  |         | Date   |             |           |
| Nom.Eff.                              | FL      | % 3/4               | %       | 230/460V                                      | 10:1 CT | 20:1 VT  | PWM         | VFD 1.0SF |
|                                       |         |                     |         | DE Brng                                       |         |  |             |           |
| Class I DIV. 2 Groups A B C D         |         | Amb.40°C            |         | ODE Brng                                      |         |  |             |           |
| Class I Zone 2 IIC                    |         | Amb.55°C            |         | Grease type: LGHP 2 (compatible with polyrex) |         | <b>High Voltage</b><br>4 5 6<br>7 8 9<br>12 10 11<br>1 2 3<br>L1 L2 L3 |             |           |
| 50Hz                                  |         | HP                  | V       | A   | rpm     | 1.0SF  |             |           |
| <b>WorldWide Electric Corporation</b> |         |                     |         |   |         |  |             |           |

|                                   |                    |           |         |        |          |            |         |                         |
|-----------------------------------|--------------------|-----------|---------|--------|----------|------------|---------|-------------------------|
| Model                             | PEWWE150-18-445TSC |           |         |        |          |            |         |                         |
| HP                                | 150                | S.F.      | 1.25    | IP     | IP55     | Encl       | TEFC    |                         |
| Frame                             | 445TSC             | P.F.      | 0.84    | Code   | G        | Type       |         |                         |
| Voltage                           | 230/460 V          | Hz        | 60 Hz   | Ins Cl | F        | Ambient    | 40°C    |                         |
| Amps                              | 349/175            | RPM       | 1790    | Design | B        | DE Brng    | 6318 C3 |                         |
| Nom.Eff.                          | FL                 | 95.8%     | 3/4     | 96.1%  | ODE Brng |            | 6313 C3 |                         |
| Class 1 Division 2 Groups A,B,C,D |                    |           |         |        |          | T3A(180°C) |         | Grease type: SKF LGHP 2 |
| 50Hz                              | 150 HP             | 200/400 V | 407/203 | A      | 1490 rpm |            |         |                         |