

DATA SHEET

Premium Efficiency Motor: **PEWWE150-36-445TS-IB**

60 Hz

WorldWide Electric Corporation

1 (800) 808-2131

Worldwideelectric.net



Document Generated: 31-Jul-2023

Document ID:

Customer:

MOTOR INFORMATION

HP	150
RPM	3600
Phase	3
Frequency	60 Hz
Voltage	230/460 V
Frame Size	445TS
Enclosure	TEFC
Degree of Protection	IP55
Service Factor	1.25
Poles	2
Full Load Speed	3575
Insulation Class	F
Temp Rise	80°C
NEMA Code Letter	G
Duty Cycle	S1 / Continuous
Slip	0.69%
NEMA Design	B
Moment of Inertia	27.1 lb.ft.^2
Locked Rotor Time (Hot)	17 seconds
Sound Pressure Level	86 dB(A)
Number of Starts	2 Cold/ 1 Hot
Max Ambient Temperature	40°C
Max Elevation	1000 m.a.s.l (3300 f.a.s.l)
Mounting	F1
Rotation	Bi-Directional
Area of Classification	Class 1 Division 2 Groups A,B,C,D T3A(180°C)
Inverter Rating	10:1 CT / 20:1 VT PWM Type
Standard	NEMA MG-1
Approvals	CSA-US, CE

EFFICIENCY/POWER FACTOR

LOAD	EFF	P. F.
100%	95.0 %	0.9
75%	95.0 %	0.89
50%	94.0 %	0.86

TORQUE

FULL LOAD	LRT	BDT
220 lb.ft.	160 %	240 %

AMPERAGE INFORMATION

	230V	460V
Full Load Amps	329A	164A
Locked Rotor Amps	2170A	1085A
No Load Current	69.2A	34.6A
Usable at 208V	363A	

BEARING INFORMATION

DE Bearing	6313 C3
ODE Bearing	6313 M/C3
Grease Type	SKF LGHP 2
DE Regreasing Interval	1800 Hours
ODE Regreasing Interval	1800 Hours

ADDITIONAL DATA

F2 Suitable	Yes
Shaft Material	1045 Carbon Steel
Connection Diagram	230 / 460 V - 12 Lead Δ
Approximate Weight	1507 lbs.

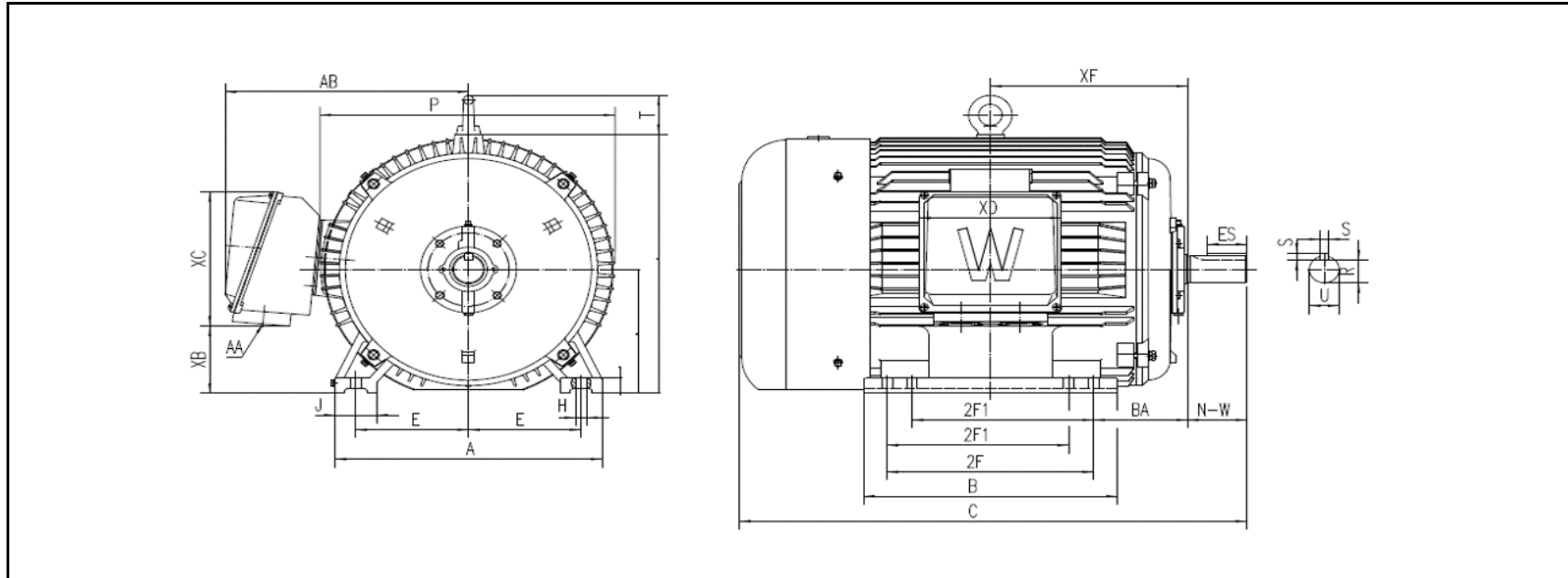
MOTOR DRAWING

Premium Efficiency Motor: **PEWWE150-36-445TS-IB**

WorldWide Electric Corporation

1 (800) 808-2131

Worldwideelectric.net



DIMENSION - INCHES

MOUNTING					A	B	C	D	G	J	P	O	T	AB
E	2F1	2F	H	BA										
9	14.5	16.5	0.81	7.5	21.339	20.276	40.553	11	1.378	3.346	23.574	22.969	3.465	19.436

SHAFT & KEY				
S	ES	R	N-W	U
0.625	3.03	2.021	4.75	2.375

TERMINAL BOX				
AA	XB	XC	XD	XF
2 X 3	5.97	11.905	11.339	15.748

PERFORMANCE CURVES

WorldWide Electric Corporation

1 (800) 808-2131

Worldwideelectric.net



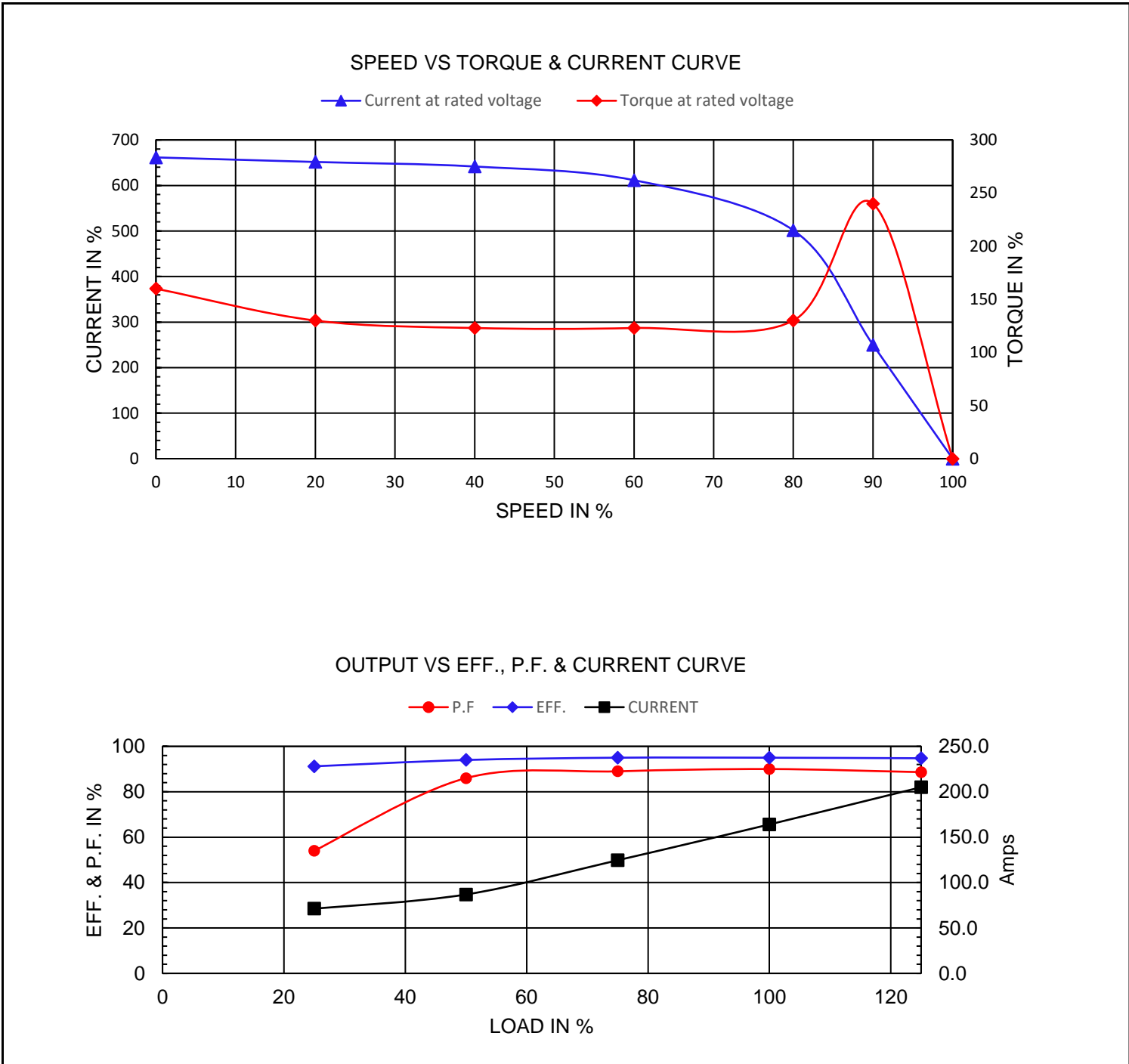
Premium Efficiency Motor:

PEWWE150-36-445TS-IB

Document Generated: 31-Jul-2023
 Document ID:

Customer:

Motor Type	PEWWE				
Output Rating (HP)	150	FL Speed	3575		
Full Load Torque	220 lb.ft	LRT (%FLT)	160	460 volt FLA	164 A
Rotor Wk ²	27.1 lb-ft ²	BDT (%FLT)	240	230 volt FLA	329 A



NAMEPLATE / WIRING

WorldWide Electric Corporation

1 (800) 808-2131

Worldwideelectric.net



Premium Efficiency Motor:

PEWWE150-36-445TS-IB

Document Generated: 31-Jul-2023
Document ID:

Customer:

SAMPLE NAMEPLATE DATA

				3-PHASE INDUCTION MOTOR		259277 	
Model <input type="text"/>		Ser No. <input type="text"/>		Low Voltage		CC006A	
HP <input type="text"/>	S.F. <input type="text"/>	IP <input type="text"/>	Encl <input type="text"/>	6 4 5 7 8 9 12 10 11 1 2 3 L1 L2 L3		High Voltage	
Frame <input type="text"/>	P.F. <input type="text"/>	Code <input type="text"/>	Type <input type="text"/>	4 5 6 7 8 9 12 10 11 1 2 3 L1 L2 L3		120V 208V 240V	
Voltage <input type="text"/>	Hz <input type="text"/>	Ins Cl <input type="text"/>	Rating <input type="text"/>	°C Amb Cont		10:1 CT 20:1 VT PWM VFD 1.0SF	
Amps <input type="text"/>	RPM <input type="text"/>	Design <input type="text"/>	Date <input type="text"/>	DE Brng		ODE Brng	
Nom.Eff. <input type="text"/>		% 3/4 <input type="text"/>		% 230/460V <input type="text"/>		Grease type: LGHP 2 (compatible with polyrex)	
Class I DIV. 2 Groups A B C D		Amb.40°C		Class I Zone 2 IIC		Amb.55°C	
50Hz		HP		V		A rpm 1.0SF	
WorldWide Electric Corporation							

Model	PEWWE150-36-445TS-IB						
HP	150	S.F.	1.25	IP	IP55	Encl	TEFC
Frame	445TS	P.F.	0.9	Code	G	Type	
Voltage	230/460 V	Hz	60 Hz	Ins Cl	F	Ambient	40°C
Amps	329/164	RPM	3575	Design	B	DE Brng 6313 C3	
Nom.Eff.	FL	95.0%	3/4	95.0%	ODE Brng 6313 M/C3		
Class 1 Division 2 Groups A,B,C,D					T3A(180°C)		
					Grease type: SKF LGHP 2		
50Hz	150 HP	200/400 V	381/190	A	2975 rpm		