

DATA SHEET

Premium Efficiency Motor: **PEWWE150-9-449T**

60 Hz

WorldWide Electric Corporation

1 (800) 808-2131

Worldwideelectric.net



Document Generated: 31-Jul-2023

Document ID:

Customer:

MOTOR INFORMATION

HP	150
RPM	900
Phase	3
Frequency	60 Hz
Voltage	230/460 V
Frame Size	449T
Enclosure	TEFC
Degree of Protection	IP55
Service Factor	1.25
Poles	8
Full Load Speed	890
Insulation Class	F
Temp Rise	80°C
NEMA Code Letter	G
Duty Cycle	S1 / Continuous
Slip	1.11%
NEMA Design	B
Moment of Inertia	103 lb.ft.^2
Locked Rotor Time (Hot)	18 seconds
Sound Pressure Level	75 dB(A)
Number of Starts	2 Cold/ 1 Hot
Max Ambient Temperature	40°C
Max Elevation	1000 m.a.s.l (3300 f.a.s.l)
Mounting	F1
Rotation	Bi-Directional
Area of Classification	Class 1 Division 2 Groups A,B,C,D T3(200°C)
Inverter Rating	10:1 CT / 20:1 VT PWM Type
Standard	NEMA MG-1
Approvals	CSA-US, CE

EFFICIENCY/POWER FACTOR

LOAD	EFF	P. F.
100%	94.1 %	0.77
75%	94.3 %	0.71
50%	93.8 %	0.6

TORQUE

FULL LOAD	LRT	BDT
885 lb.ft.	190 %	250 %

AMPERAGE INFORMATION

	230V	460V
Full Load Amps	388A	194A
Locked Rotor Amps	2170A	1085A
No Load Current	180A	90A
Usable at 208V	429A	

BEARING INFORMATION

DE Bearing	NU320 C3
ODE Bearing	6320 C3
Grease Type	SKF LGHP 2
DE Regreasing Interval	2200 Hours
ODE Regreasing Interval	3000 Hours

ADDITIONAL DATA

F2 Suitable	Yes
Shaft Material	4140 Carbon Steel
Connection Diagram	230 / 460 V - 12 Lead Δ
Approximate Weight	2486 lbs.

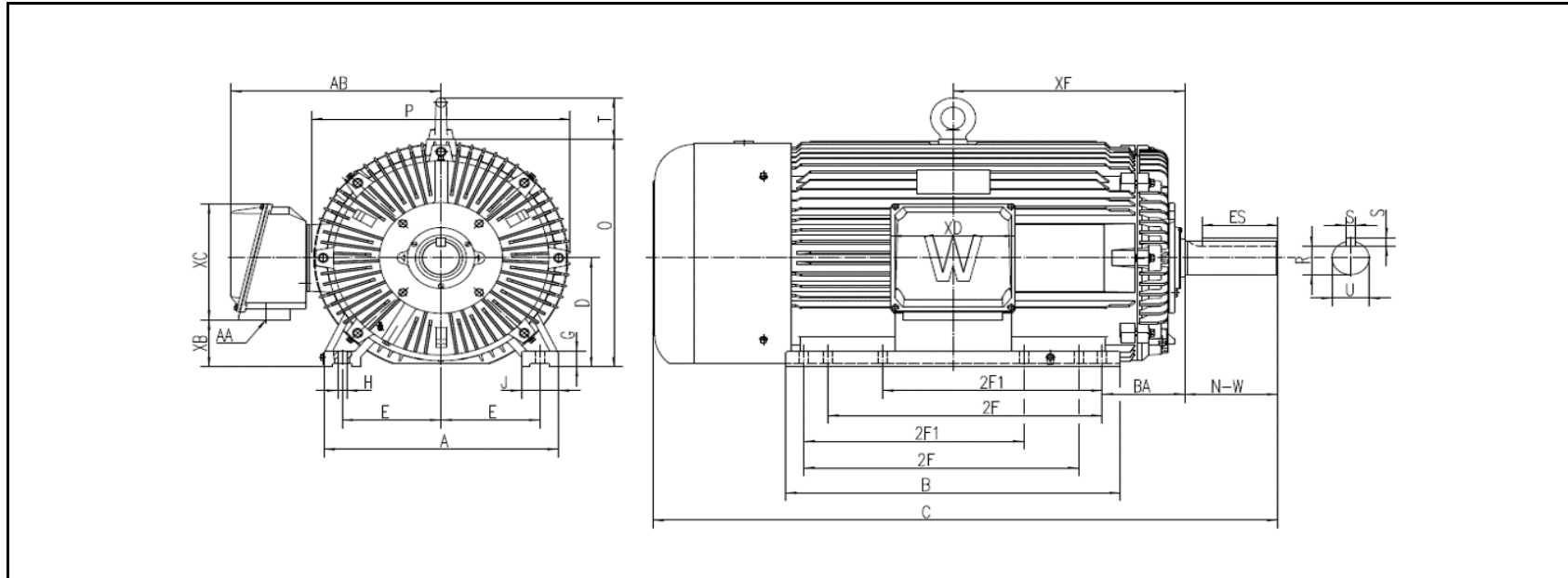
MOTOR DRAWING

Premium Efficiency Motor: **PEWWE150-9-449T**

WorldWide Electric Corporation

1 (800) 808-2131

Worldwideelectric.net



DIMENSION - INCHES

MOUNTING					A	B	C	D	G	J	P	O	T	AB
E	2F1	2F	H	BA										
9	20	25	0.81	7.5	21.339	30.472	56.945	11	1.575	3.346	23.554	22.969	4.213	19.171

SHAFT & KEY				
S	ES	R	N-W	U
0.875	6.91	2.88	8.5	3.375

TERMINAL BOX				
AA	XB	XC	XD	XF
2 X 3	4.7	11.813	11.339	21.087

PERFORMANCE CURVES

WorldWide Electric Corporation

1 (800) 808-2131

Worldwideelectric.net



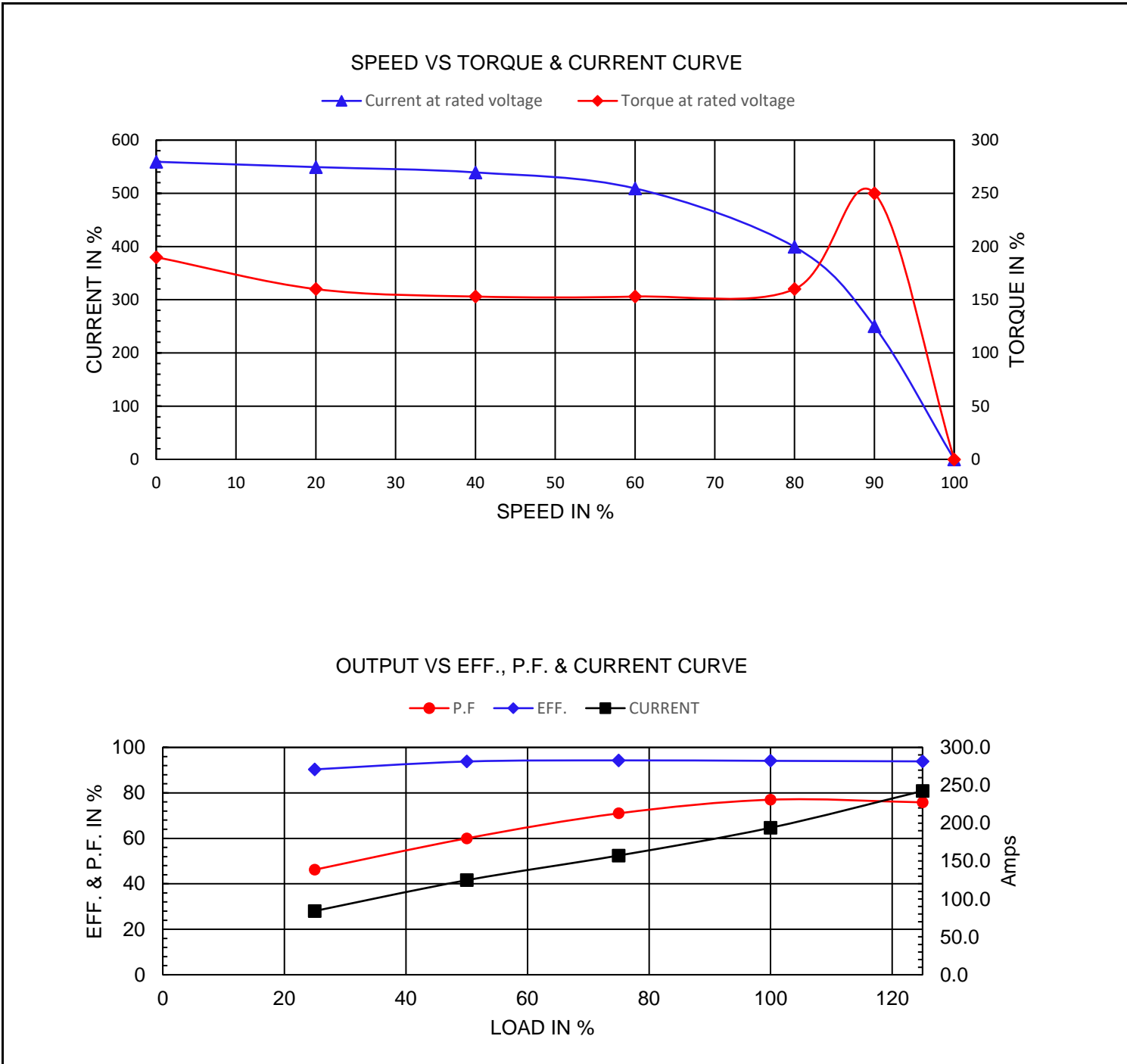
Premium Efficiency Motor:

PEWWE150-9-449T

Document Generated: 31-Jul-2023
 Document ID:

Customer:

Motor Type	PEWWE				
Output Rating (HP)	150	FL Speed	890		
Full Load Torque	885 lb.ft	LRT (%FLT)	190	460 volt FLA	194 A
Rotor Wk ²	103 lb-ft ²	BDT (%FLT)	250	230 volt FLA	388 A



NAMEPLATE / WIRING

WorldWide Electric Corporation

1 (800) 808-2131

Worldwideelectric.net



Premium Efficiency Motor:

PEWWE150-9-449T

Document Generated: 31-Jul-2023
Document ID:

Customer:

SAMPLE NAMEPLATE DATA

				3-PHASE INDUCTION MOTOR		259277 	
Model		Ser No.		Low Voltage 6 4 5 7 8 9 12 10 11 1 2 3 L1 L2 L3		CC006A	
HP	S.F.	IP	Encl	High Voltage 4 5 6 7 8 9 12 10 11 1 2 3 L1 L2 L3			
Frame	P.F.	Code	Type				
Voltage	Hz	Ins Cl	Rating	°C Amb Cont			
Amps	RPM	Design	Date				
Nom.Eff.		% 3/4		% 230/460V		10:1 CT 20:1 VT PWM VFD 1.0SF	
Class I DIV. 2 Groups A B C D		Amb.40°C		DE Brng			
Class I Zone 2 IIC		Amb.55°C		ODE Brng			
				Grease type: LGHP 2 (compatible with polyrex)			
50Hz		HP	V	A	rpm	1.0SF	
WorldWide Electric Corporation							

Model	PEWWE150-9-449T						
HP	150	S.F.	1.25	IP	IP55	Encl	TEFC
Frame	449T	P.F.	0.77	Code	G	Type	
Voltage	230/460 V	Hz	60 Hz	Ins Cl	F	Ambient	40°C
Amps	388/194	RPM	890	Design	B	DE Brng NU320 C3	
Nom.Eff.	FL	94.1%	3/4	94.3%	ODE Brng 6320 C3		
Class 1 Division 2 Groups A,B,C,D					T3(200°C)		
					Grease type: SKF LGHP 2		
50Hz	150 HP	200/400 V	455/227	A	740 rpm		