

# DATA SHEET

Premium Efficiency Motor: **PEWWE2-12-184T**

**60 Hz**

WorldWide Electric Corporation

1 (800) 808-2131

Worldwideelectric.net



Document Generated: 31-Jul-2023  
Document ID:

Customer:

MOTOR INFORMATION	
HP	2
RPM	1200
Phase	3
Frequency	60 Hz
Voltage	230/460 V
Frame Size	184T
Enclosure	TEFC
Degree of Protection	IP55
Service Factor	1.25
Poles	6
Full Load Speed	1175
Insulation Class	F
Temp Rise	80°C
NEMA Code Letter	L
Duty Cycle	S1 / Continuous
Slip	2.08%
NEMA Design	B
Moment of Inertia	0.383 lb.ft.^2
Locked Rotor Time (Hot)	14 seconds
Sound Pressure Level	62 dB(A)
Number of Starts	2 Cold/ 1 Hot
Max Ambient Temperature	40°C
Max Elevation	1000 m.a.s.l (3300 f.a.s.l)
Mounting	F1
Rotation	Bi-Directional
Area of Classification	Class 1 Division 2 Groups A,B,C,D T3C(160°C)
Inverter Rating	10:1 CT / 20:1 VT PWM Type
Standard	NEMA MG-1
Approvals	CSA-US, CE

EFFICIENCY/POWER FACTOR		
LOAD	EFF	P. F.
100%	88.5 %	0.71
75%	88.3 %	0.63
50%	86.4 %	0.51

TORQUE		
FULL LOAD	LRT	BDT
8.94 lb.ft.	200 %	320 %

AMPERAGE INFORMATION		
	230V	460V
Full Load Amps	5.96A	2.98A
Locked Rotor Amps	50A	25A
No Load Current	3.7A	1.85A
Usable at 208V	6.59A	

BEARING INFORMATION	
DE Bearing	6206ZZ C3
ODE Bearing	6206ZZ C3
Grease Type	-
DE Regreasing Interval	- Hours
ODE Regreasing Interval	- Hours

ADDITIONAL DATA	
F2 Suitable	Yes
Shaft Material	1045 Carbon Steel
Connection Diagram	230 / 460 V - 9 Lead Y
Approximate Weight	91.5 lbs.

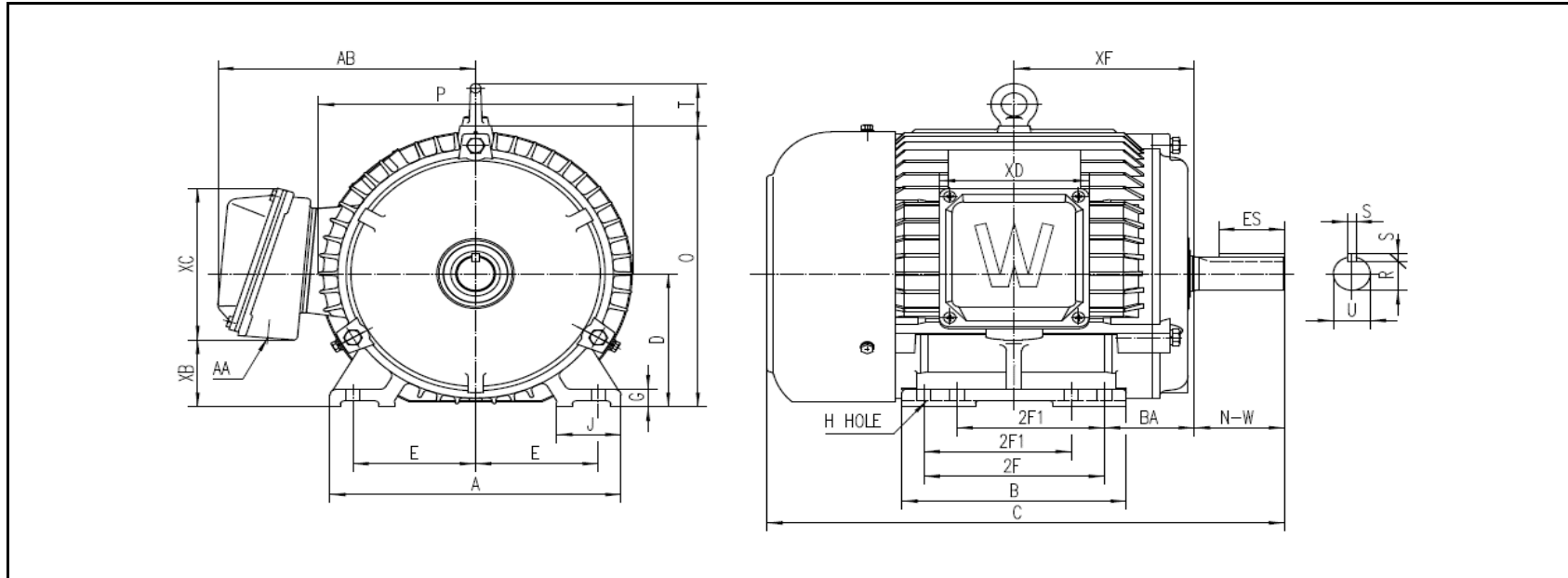
# MOTOR DRAWING

Premium Efficiency Motor: **PEWWE2-12-184T**

WorldWide Electric Corporation

1 (800) 808-2131

Worldwideelectric.net



## DIMENSION - INCHES

MOUNTING					A	B	C	D	G	J	P	O	T	AB
E	2F1	2F	H	BA										
3.75	4.5	5.5	0.41	2.75	8.898	6.852	15.827	4.5	0.591	1.969	9.606	9.5	1.417	7.876

SHAFT & KEY				
S	ES	R	N-W	U
0.25	1.78	0.986	2.75	1.125

TERMINAL BOX				
AA	XB	XC	XD	XF
1	2.26	5.124	4.567	5.509

# PERFORMANCE CURVES

WorldWide Electric Corporation

1 (800) 808-2131

Worldwideelectric.net



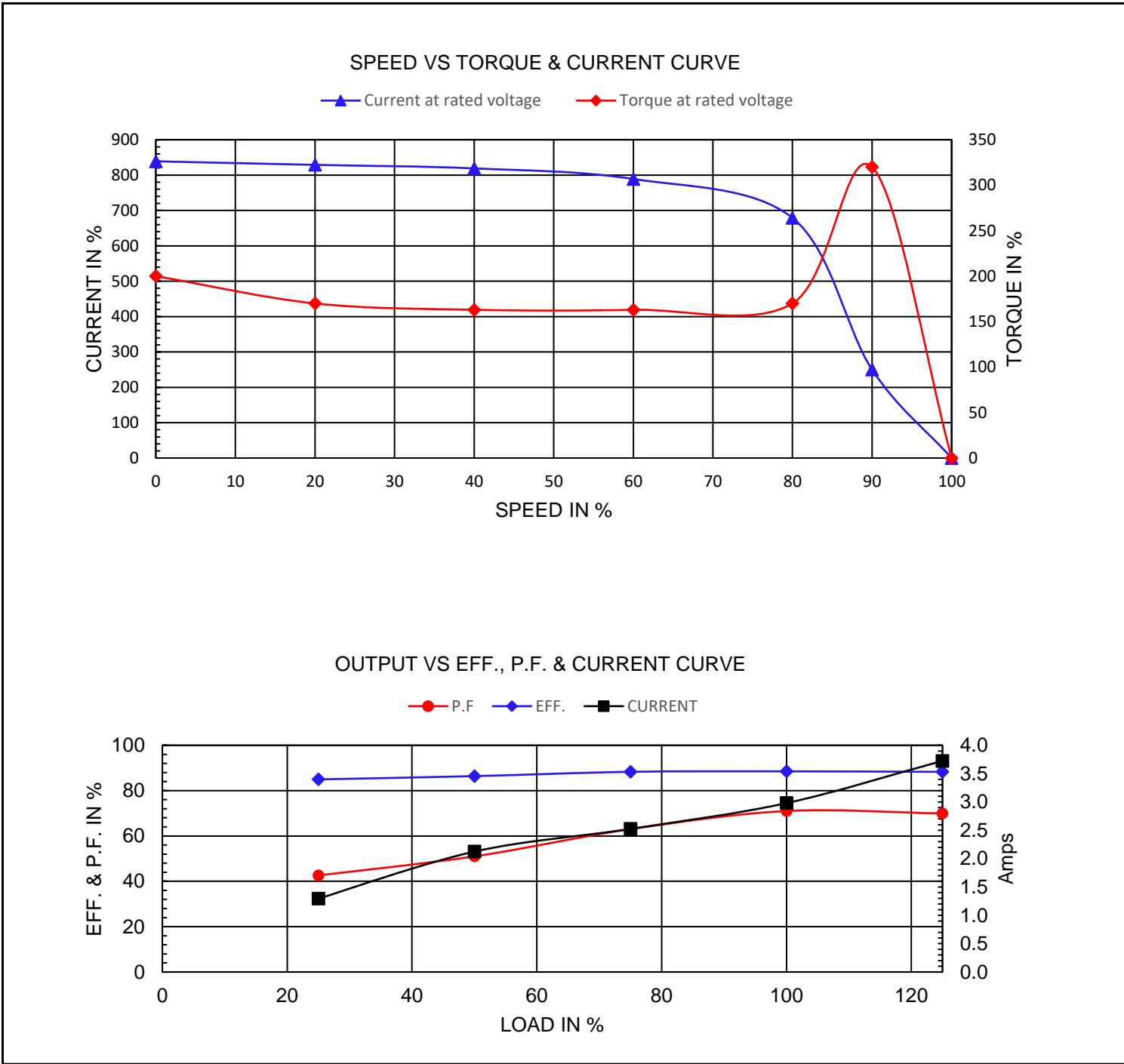
Premium Efficiency Motor:

**PEWWE2-12-184T**

Document Generated: 31-Jul-2023  
 Document ID:

Customer:

Motor Type	PEWWE		FL Speed	1175		
Output Rating (HP)	2		LRT (%FLT)	200	460 volt FLA	2.98 A
Full Load Torque	8.94	lb.ft	BDT (%FLT)	320	230 volt FLA	5.96 A
Rotor Wk^2	0.383	lb-ft^2				



# NAMEPLATE / WIRING

WorldWide Electric Corporation

1 (800) 808-2131

Worldwideelectric.net



Premium Efficiency Motor:

**PEWWE2-12-184T**

Document Generated: 31-Jul-2023  
Document ID:

Customer:

## SAMPLE NAMEPLATE DATA

		<b>NEMA Premium</b>		<b>3-PHASE INDUCTION MOTOR</b>		259277 		CC006A
Model			Ser No.			Low Voltage		
HP		S.F.		IP		Encl		
Frame		P.F.		Code		Type		
Voltage	230/460	Hz		Ins Cl		Rating	°C Amb Cont	
Amps		RPM		Design		Date		
Nom. Eff.	FL	% 3/4	% 230/460V	10:1 CT	20:1 VT	PWM VFD	1.0SF	
Class I DIV. 2 Groups A B C D				Amb.40°C	T3C(160°C)	DE Brng		
Class I Zone 2 IIC				Amb.55°C	T3A(180°C)	ODE Brng		
						Grease type:		
50Hz		HP	V	A	rpm	S.F1.0		

Model	PEWWE2-12-184T						
HP	2	S.F.	1.25	IP	IP55	Encl	TEFC
Frame	184T	P.F.	0.71	Code	L	Type	
Voltage	230/460 V	Hz	60 Hz	Ins Cl	F	Ambient	40°C
Amps	5.96/2.98	RPM	1175	Design	B	DE Brng 6206ZZ C3	
Nom. Eff.	FL	88.5%	3/4	88.3%	ODE Brng 6206ZZ C3		
Class 1 Division 2 Groups A,B,C,D					T3C(160°C)	Grease type: -	
50Hz	2 HP	200/400 V	7.6/3.8	A	970 rpm		