

# DATA SHEET

Premium Efficiency Motor: **PEWWE2-18-145T**

**60 Hz**

WorldWide Electric Corporation

1 (800) 808-2131

Worldwideelectric.net



Document Generated: 31-Jul-2023  
Document ID:

Customer:

MOTOR INFORMATION	
HP	2
RPM	1800
Phase	3
Frequency	60 Hz
Voltage	230/460 V
Frame Size	145T
Enclosure	TEFC
Degree of Protection	IP55
Service Factor	1.25
Poles	4
Full Load Speed	1755
Insulation Class	F
Temp Rise	80°C
NEMA Code Letter	L
Duty Cycle	S1 / Continuous
Slip	2.50%
NEMA Design	B
Moment of Inertia	0.105 lb.ft.^2
Locked Rotor Time (Hot)	12 seconds
Sound Pressure Level	62 dB(A)
Number of Starts	2 Cold/ 1 Hot
Max Ambient Temperature	40°C
Max Elevation	1000 m.a.s.l (3300 f.a.s.l)
Mounting	F1
Rotation	Bi-Directional
Area of Classification	Class 1 Division 2 Groups A,B,C,D T3C(160°C)
Inverter Rating	10:1 CT / 20:1 VT PWM Type
Standard	NEMA MG-1
Approvals	CSA-US, CE

EFFICIENCY/POWER FACTOR		
LOAD	EFF	P. F.
100%	86.5 %	0.73
75%	86.4 %	0.64
50%	83.8 %	0.51

TORQUE		
FULL LOAD	LRT	BDT
5.98 lb.ft.	270 %	350 %

AMPERAGE INFORMATION		
	230V	460V
Full Load Amps	5.93A	2.97A
Locked Rotor Amps	50A	25A
No Load Current	3.9A	1.95A
Usable at 208V	6.56A	

BEARING INFORMATION	
DE Bearing	6205ZZ C3
ODE Bearing	6205ZZ C3
Grease Type	-
DE Regreasing Interval	- Hours
ODE Regreasing Interval	- Hours

ADDITIONAL DATA	
F2 Suitable	Yes
Shaft Material	1045 Carbon Steel
Connection Diagram	230 / 460 V - 9 Lead Y
Approximate Weight	56 lbs.

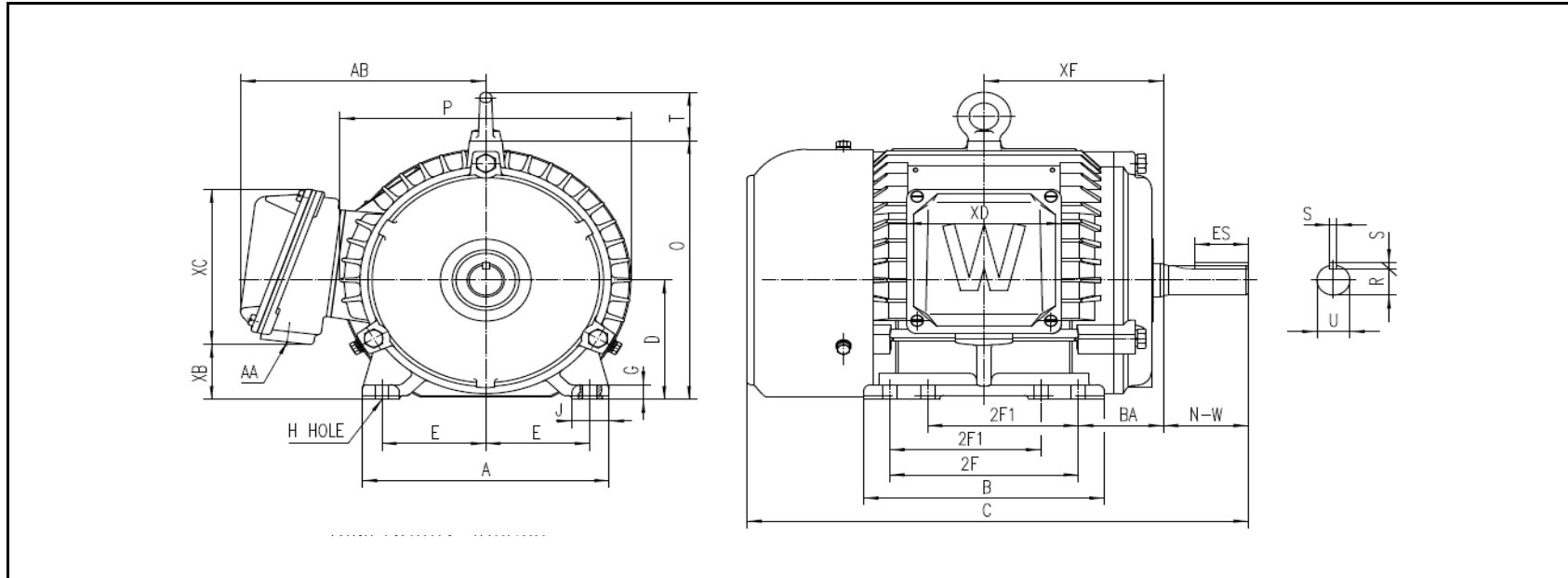
# MOTOR DRAWING

Premium Efficiency Motor: **PEWWE2-18-145T**

WorldWide Electric Corporation

1 (800) 808-2131

Worldwideelectric.net



## DIMENSION - INCHES

MOUNTING					A	B	C	D	G	J	P	O	T	AB
E	2F1	2F	H	BA										
2.75	4	5	0.34	2.25	6.535	6.378	13.276	3.5	0.433	0.984	7.717	7.6	1.417	6.491

SHAFT & KEY				
S	ES	R	N-W	U
0.188	1.41	0.771	2.25	0.875

TERMINAL BOX				
AA	XB	XC	XD	XF
3/4	1.61	4.55	4.094	4.748

# PERFORMANCE CURVES

WorldWide Electric Corporation

1 (800) 808-2131

Worldwideelectric.net

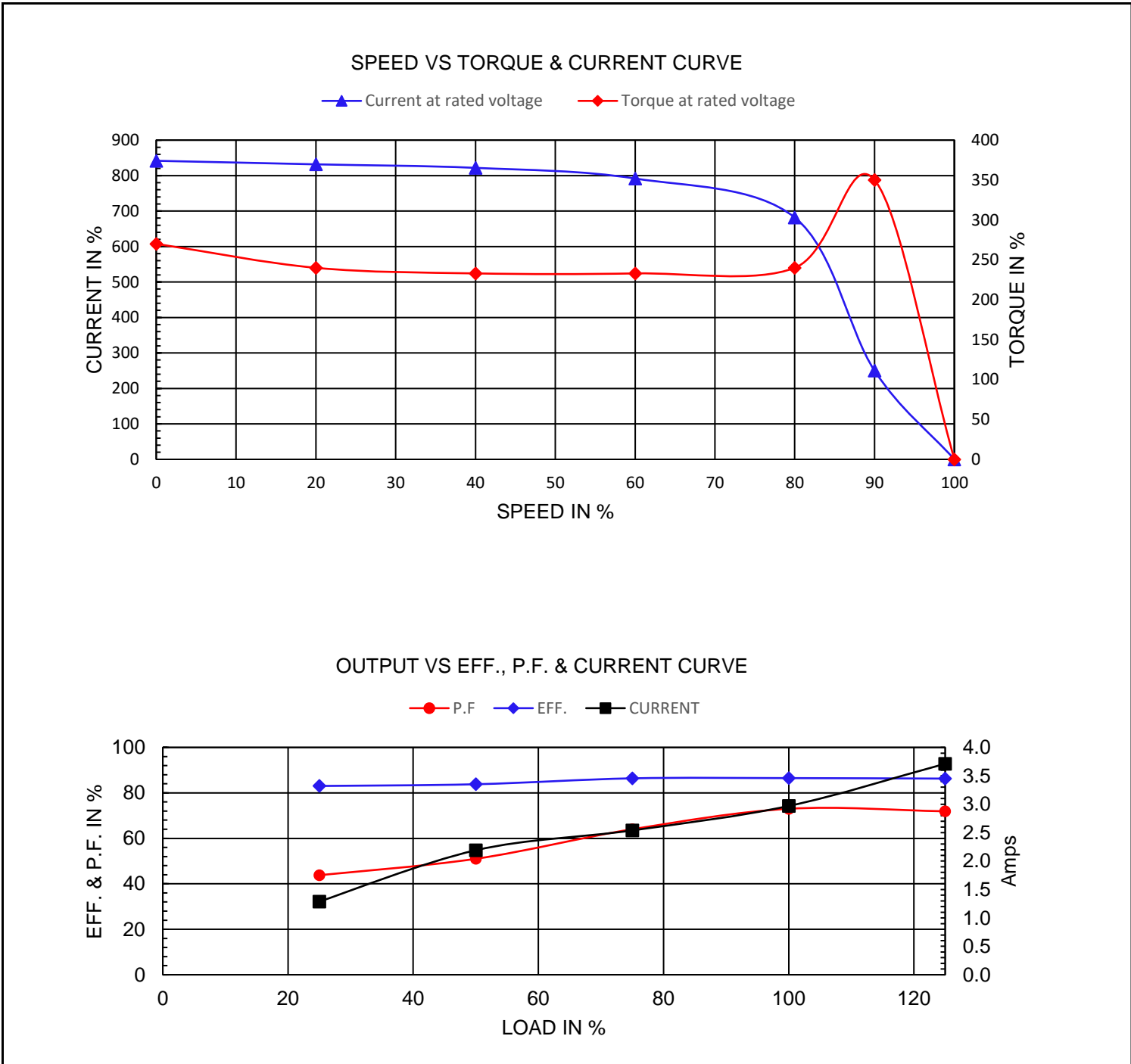


Premium Efficiency Motor:

**PEWWE2-18-145T**

Document Generated:	31-Jul-2023	Customer:	
Document ID:			

Motor Type	PEWWE		FL Speed	1755		
Output Rating (HP)	2		LRT (%FLT)	270	460 volt FLA	2.97 A
Full Load Torque	5.98	lb.ft	BDT (%FLT)	350	230 volt FLA	5.93 A
Rotor Wk <sup>2</sup>	0.105	lb-ft <sup>2</sup>				



# NAMEPLATE / WIRING

WorldWide Electric Corporation

1 (800) 808-2131

Worldwideelectric.net



Premium Efficiency Motor:

**PEWWE2-18-145T**

Document Generated: 31-Jul-2023  
Document ID:

Customer:

## SAMPLE NAMEPLATE DATA

		<b>NEMA Premium</b>		<b>3-PHASE INDUCTION MOTOR</b>		259277 	<b>CE</b> CC006A												
Model			Ser No.			Low Voltage													
HP	S.F.		IP		Encl	<table border="1"> <tr><td>4</td><td>5</td><td>6</td></tr> <tr><td>7</td><td>8</td><td>9</td></tr> <tr><td>1</td><td>2</td><td>3</td></tr> <tr><td>L1</td><td>L2</td><td>L3</td></tr> </table>		4	5	6	7	8	9	1	2	3	L1	L2	L3
4	5	6																	
7	8	9																	
1	2	3																	
L1	L2	L3																	
Frame	P.F.		Code		Type														
Voltage	230/460	Hz		Ins Cl	Rating	°C Amb Cont													
Amps		RPM		Design	Date														
Nom. Eff.	FL	% 3/4	% 230/460V	10:1 CT	20:1 VT	PWM	VFD 1.0SF												
Class I DIV. 2 Groups A B C D			Amb.40°C	T3C(160°C)	DE Brng														
Class I Zone 2 IIC			Amb.55°C	T3A(180°C)	ODE Brng														
						Grease type:													
50Hz	HP	V	A	rpm	S.F1.0														

Model

HP  S.F.  IP  Encl

Frame  P.F.  Code  Type

Voltage  Hz  Ins Cl  Ambient

Amps  RPM  Design  DE Brng 6205ZZ C3

Nom. Eff.     ODE Brng 6205ZZ C3

Grease type: -