

DATA SHEET

Premium Efficiency Motor: **PEWWE2-18-145TC**

60 Hz

WorldWide Electric Corporation

1 (800) 808-2131

Worldwideelectric.net



Document Generated: 1-Aug-2023

Document ID:

Customer:

MOTOR INFORMATION

HP	2
RPM	1800
Phase	3
Frequency	60 Hz
Voltage	230/460 V
Frame Size	145TC
Enclosure	TEFC
Degree of Protection	IP55
Service Factor	1.25
Poles	4
Full Load Speed	1755
Insulation Class	F
Temp Rise	80°C
NEMA Code Letter	L
Duty Cycle	S1 / Continuous
Slip	2.50%
NEMA Design	B
Moment of Inertia	0.105 lb.ft.^2
Locked Rotor Time (Hot)	12 seconds
Sound Pressure Level	62 dB(A)
Number of Starts	2 Cold/ 1 Hot
Max Ambient Temperature	40°C
Max Elevation	1000 m.a.s.l (3300 f.a.s.l)
Mounting	F1
Rotation	Bi-Directional
Area of Classification	Class 1 Division 2 Groups A,B,C,D T3C(160°C)
Inverter Rating	10:1 CT / 20:1 VT PWM Type
Standard	NEMA MG-1
Approvals	CSA-US, CE

EFFICIENCY/POWER FACTOR

LOAD	EFF	P. F.
100%	86.5 %	0.73
75%	86.4 %	0.64
50%	83.8 %	0.51

TORQUE

FULL LOAD	LRT	BDT
5.98 lb.ft.	270 %	350 %

AMPERAGE INFORMATION

	230V	460V
Full Load Amps	5.93A	2.97A
Locked Rotor Amps	50A	25A
No Load Current	3.9A	1.95A
Usable at 208V	6.56A	

BEARING INFORMATION

DE Bearing	6205ZZ C3
ODE Bearing	6205ZZ C3
Grease Type	--
DE Regreasing Interval	- Hours
ODE Regreasing Interval	- Hours

ADDITIONAL DATA

F2 Suitable	Yes
Shaft Material	1045 Carbon Steel
Connection Diagram	230 / 460 V - 9 Lead Y
Approximate Weight	56 lbs.

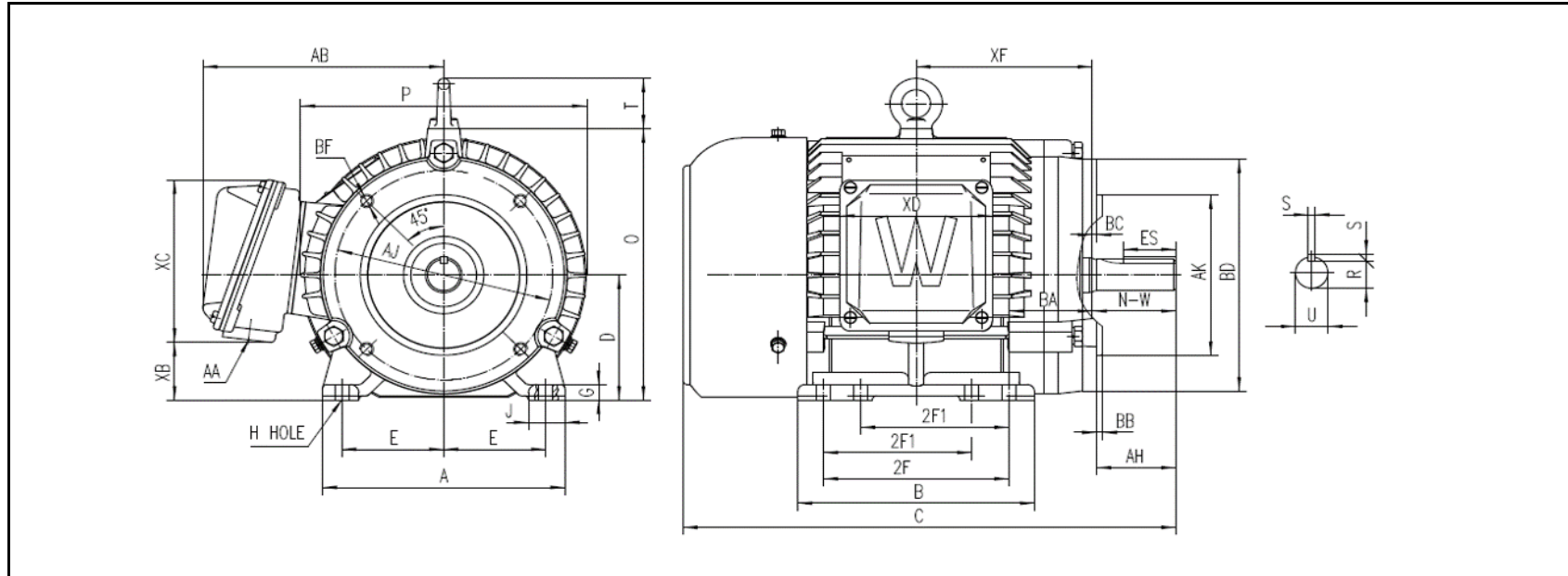
MOTOR DRAWING

Premium Efficiency Motor: **PEWWE2-18-145TC**

WorldWide Electric Corporation

1 (800) 808-2131

Worldwideelectric.net



DIMENSION - INCHES

MOUNTING					A	B	C	D	G	J	P	O	T	AB
E	2F1	2F	H	BA										
2.75	4	5	0.34	2.25	6.535	6.378	13.276	3.5	0.433	0.984	7.717	7.6	1.417	6.491

SHAFT & KEY					
S	ES	R	N-W	AH	U
0.188	1.41	0.771	2.25	2.12	0.875

TERMINAL BOX				
AA	XB	XC	XD	XF
3/4	1.61	4.55	4.094	4.748

FLANGE					
AJ	AK	BB	BD	BF	BC
5.875	4.5	0.16	6.496	3/8-16	0.12

PERFORMANCE CURVES

WorldWide Electric Corporation

1 (800) 808-2131

Worldwideelectric.net



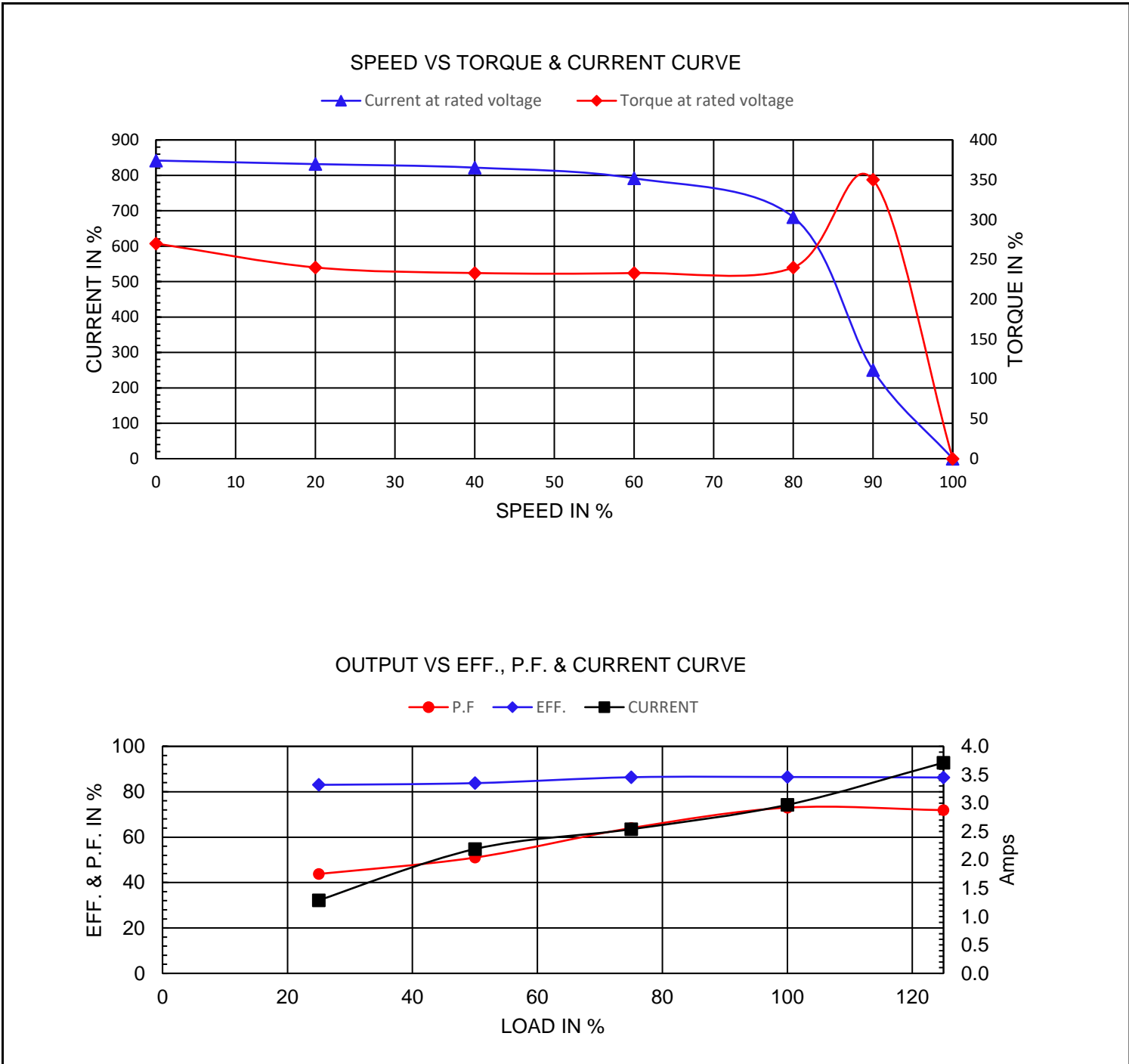
Premium Efficiency Motor:

PEWWE2-18-145TC

Document Generated: 1-Aug-2023
 Document ID:

Customer:

Motor Type	PEWWE		FL Speed	1755		
Output Rating (HP)	2		LRT (%FLT)	270	460 volt FLA	2.97
Full Load Torque	5.98	lb.ft	BDT (%FLT)	350	230 volt FLA	5.93
Rotor Wk ²	0.105	lb-ft ²				



NAMEPLATE / WIRING

Premium Efficiency Motor: **PEWWE2-18-145TC**

WorldWide Electric Corporation

1 (800) 808-2131

Worldwideelectric.net



Document Generated: 1-Aug-2023
Document ID:

Customer:

SAMPLE NAMEPLATE DATA

		NEMA Premium		3-PHASE INDUCTION MOTOR		259277		CE	
Model		Ser No.		Low Voltage		4 5 6			
HP	S.F.	IP	Encl	7 8 9		1 2 3			
Frame	P.F.	Code	Type	1 2 3		L1 L2 L3			
Voltage	230/460	Hz	Ins Cl	Rating	°C Amb Cont	High Voltage			
Amps	RPM	Design	Date	4 5 6		7 8 9			
Nom.Eff.	FL	% 3/4	% 230/460V	10:1 CT	20:1 VT	PWM	VFD	1.0SF	1 2 3
Class I DIV. 2 Groups A B C D		Amb.40°C	T3C(160°C)	DE Brng		L1 L2 L3			
Class I Zone 2 IIC		Amb.55°C	T3A(180°C)	ODE Brng		Grease type:			
50Hz	HP	V	A	rpm	S.F1.0				
WorldWide Electric Corporation									

Model	PEWWE2-18-145TC						
HP	2	S.F.	1.25	IP	IP55	Encl	TEFC
Frame	145TC	P.F.	0.73	Code	L	Type	
Voltage	230/460 V	Hz	60 Hz	Ins Cl	F	Ambient	40°C
Amps	5.93/2.97	RPM	1755	Design	B	DE Brng	6205ZZ C3
Nom.Eff.	FL	86.5%	3/4	86.4%	ODE Brng	6205ZZ C3	
Class 1 Division 2 Groups A,B,C,D					T3C(160°C)	Grease type: --	
50Hz	2 HP	200/400 V	7.13/3.56 A	1450 rpm			