

DATA SHEET

Premium Efficiency Motor: **PEWWE2-36-145T**

60 Hz

WorldWide Electric Corporation

1 (800) 808-2131

Worldwideelectric.net



Document Generated: 31-Jul-2023
Document ID:

Customer:

MOTOR INFORMATION	
HP	2
RPM	3600
Phase	3
Frequency	60 Hz
Voltage	230/460 V
Frame Size	145T
Enclosure	TEFC
Degree of Protection	IP55
Service Factor	1.25
Poles	2
Full Load Speed	3495
Insulation Class	F
Temp Rise	80°C
NEMA Code Letter	L
Duty Cycle	S1 / Continuous
Slip	2.92%
NEMA Design	B
Moment of Inertia	0.0483 lb.ft.^2
Locked Rotor Time (Hot)	12 seconds
Sound Pressure Level	63 dB(A)
Number of Starts	2 Cold/ 1 Hot
Max Ambient Temperature	40°C
Max Elevation	1000 m.a.s.l (3300 f.a.s.l)
Mounting	F1
Rotation	Bi-Directional
Area of Classification	Class 1 Division 2 Groups A,B,C,D T3C(160°C)
Inverter Rating	10:1 CT / 20:1 VT PWM Type
Standard	NEMA MG-1
Approvals	CSA-US, CE

EFFICIENCY/POWER FACTOR		
LOAD	EFF	P. F.
100%	85.5 %	0.8
75%	85.0 %	0.71
50%	82.5 %	0.58

TORQUE		
FULL LOAD	LRT	BDT
3.01 lb.ft.	230 %	340 %

AMPERAGE INFORMATION		
	230V	460V
Full Load Amps	5.48A	2.74A
Locked Rotor Amps	50A	25A
No Load Current	3.2A	1.6A
Usable at 208V	6.05A	

BEARING INFORMATION	
DE Bearing	6205ZZ C3
ODE Bearing	6205ZZ C3
Grease Type	-
DE Regreasing Interval	- Hours
ODE Regreasing Interval	- Hours

ADDITIONAL DATA	
F2 Suitable	Yes
Shaft Material	1045 Carbon Steel
Connection Diagram	230 / 460 V - 9 Lead Y
Approximate Weight	49.7 lbs.

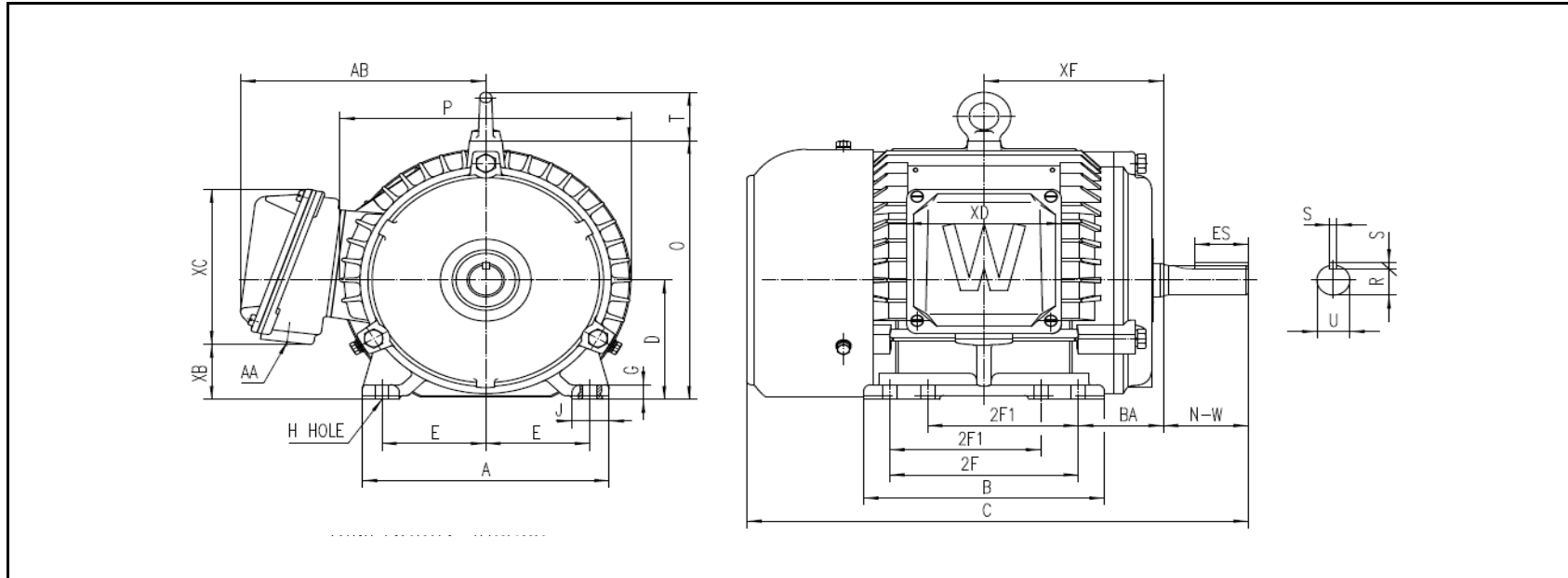
MOTOR DRAWING

Premium Efficiency Motor: **PEWWE2-36-145T**

WorldWide Electric Corporation

1 (800) 808-2131

Worldwideelectric.net



DIMENSION - INCHES

MOUNTING					A	B	C	D	G	J	P	O	T	AB
E	2F1	2F	H	BA										
2.75	4	5	0.34	2.25	6.535	6.378	13.276	3.5	0.433	0.984	7.717	7.6	1.417	6.491

SHAFT & KEY				
S	ES	R	N-W	U
0.188	1.41	0.771	2.25	0.875

TERMINAL BOX				
AA	XB	XC	XD	XF
3/4	1.61	4.55	4.094	4.748

PERFORMANCE CURVES

WorldWide Electric Corporation

1 (800) 808-2131

Worldwideelectric.net



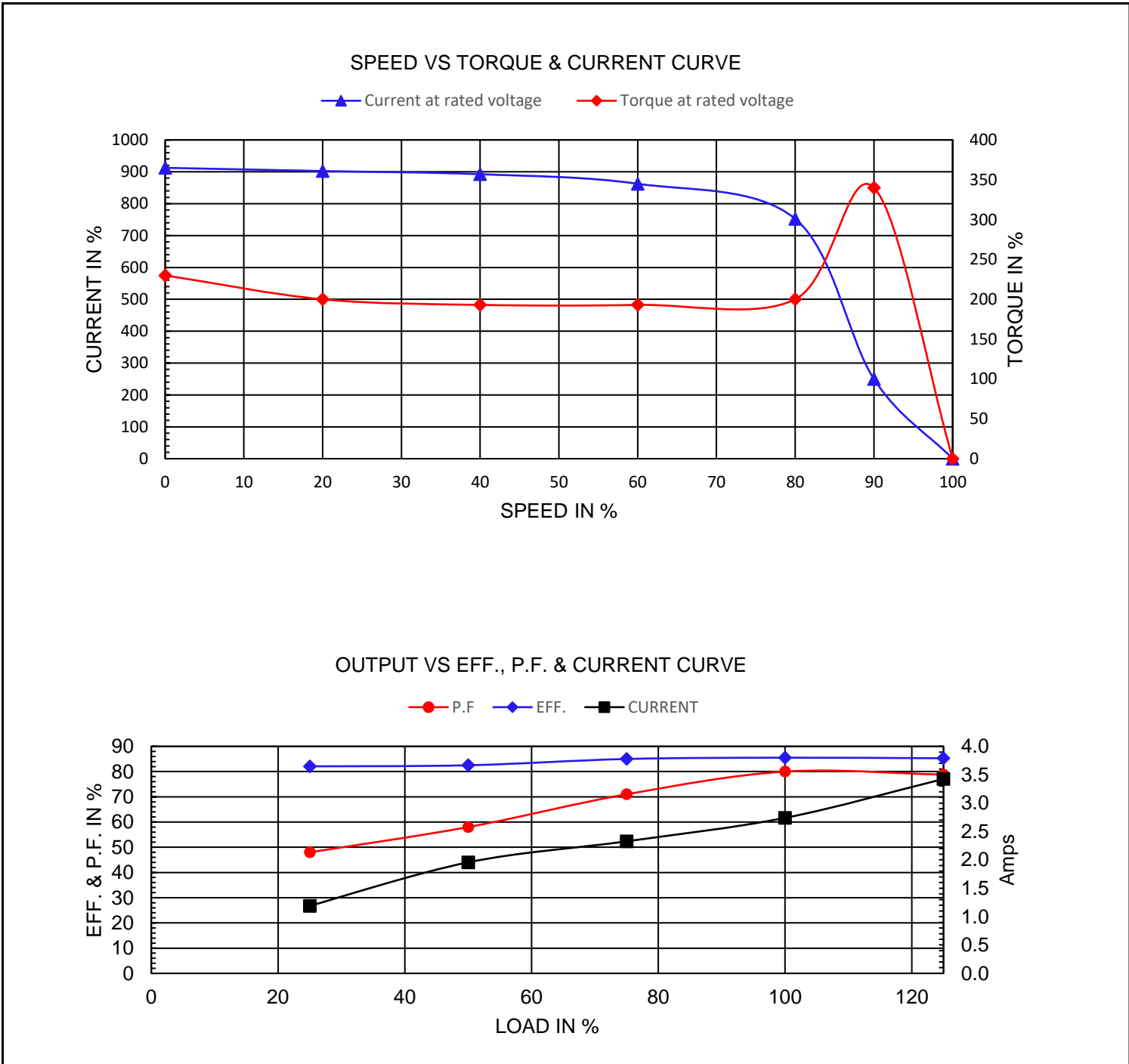
Premium Efficiency Motor:

PEWWE2-36-145T

Document Generated: 31-Jul-2023
 Document ID:

Customer:

Motor Type	PEWWE		FL Speed	3495		
Output Rating (HP)	2		LRT (%FLT)	230	460 volt FLA	2.74 A
Full Load Torque	3.01	lb.ft	BDT (%FLT)	340	230 volt FLA	5.48 A
Rotor Wk ²	0.0483	lb-ft ²				



NAMEPLATE / WIRING

WorldWide Electric Corporation

1 (800) 808-2131

Worldwideelectric.net



Premium Efficiency Motor:

PEWWE2-36-145T

Document Generated: 31-Jul-2023
Document ID:

Customer:

SAMPLE NAMEPLATE DATA

		NEMA Premium		3-PHASE INDUCTION MOTOR		259277 	CE CC006A
Model			Ser No.				
HP		S.F.		IP		Encl	
Frame		P.F.		Code		Type	
Voltage	230/460	Hz		Ins Cl		Rating	°C Amb Cont
Amps		RPM		Design		Date	
Nom. Eff.	FL	% 3/4	% 230/460V	10:1 CT 20:1 VT PWM VFD 1.0SF			
Class I DIV. 2 Groups A B C D			Amb.40°C	T3C(160°C)		DE Brng	
Class I Zone 2 IIC			Amb.55°C	T3A(180°C)		ODE Brng	
			Grease type:				
50Hz		HP	V	A	rpm	S.F1.0	

Model	PEWWE2-36-145T						
HP	2	S.F.	1.25	IP	IP55	Encl	TEFC
Frame	145T	P.F.	0.8	Code	L	Type	
Voltage	230/460 V	Hz	60 Hz	Ins Cl	F	Ambient	40°C
Amps	5.48/2.74	RPM	3495	Design	B	DE Brng 6205ZZ C3	
Nom. Eff.	FL	85.5%	3/4	85.0%	ODE Brng 6205ZZ C3		
Class 1 Division 2 Groups A,B,C,D					T3C(160°C)		Grease type: -
50Hz	2 HP	200/400 V	6.62/3.31 A	2880 rpm			