

DATA SHEET

Premium Efficiency Motor: **PEWWE20-12-286TC**

60 Hz

WorldWide Electric Corporation

1 (800) 808-2131

Worldwideelectric.net



Document Generated: 1-Aug-2023

Document ID:

Customer:

MOTOR INFORMATION

HP	20
RPM	1200
Phase	3
Frequency	60 Hz
Voltage	230/460 V
Frame Size	286TC
Enclosure	TEFC
Degree of Protection	IP55
Service Factor	1.25
Poles	6
Full Load Speed	1185
Insulation Class	F
Temp Rise	80°C
NEMA Code Letter	G
Duty Cycle	S1 / Continuous
Slip	1.25%
NEMA Design	B
Moment of Inertia	4.41 lb.ft.^2
Locked Rotor Time (Hot)	12 seconds
Sound Pressure Level	70 dB(A)
Number of Starts	2 Cold/ 1 Hot
Max Ambient Temperature	40°C
Max Elevation	1000 m.a.s.l (3300 f.a.s.l)
Mounting	F1
Rotation	Bi-Directional
Area of Classification	Class 1 Division 2 Groups A,B,C,D T3C(160°C)
Inverter Rating	10:1 CT / 20:1 VT PWM Type
Standard	NEMA MG-1
Approvals	CSA-US, CE

EFFICIENCY/POWER FACTOR

LOAD	EFF	P. F.
100%	91.7 %	0.8
75%	92.1 %	0.77
50%	91.6 %	0.66

TORQUE

FULL LOAD	LRT	BDT
88.6 lb.ft.	140 %	220 %

AMPERAGE INFORMATION

	230V	460V
Full Load Amps	51.1A	25.5A
Locked Rotor Amps	290A	145A
No Load Current	22A	11A
Usable at 208V	56.5A	

BEARING INFORMATION

DE Bearing	6311 C3
ODE Bearing	6309 C3
Grease Type	SKF LGHP 2
DE Regreasing Interval	6000 Hours
ODE Regreasing Interval	7500 Hours

ADDITIONAL DATA

F2 Suitable	Yes
Shaft Material	1045 Carbon Steel
Connection Diagram	230 / 460 V - 12 Lead Δ
Approximate Weight	393 lbs.

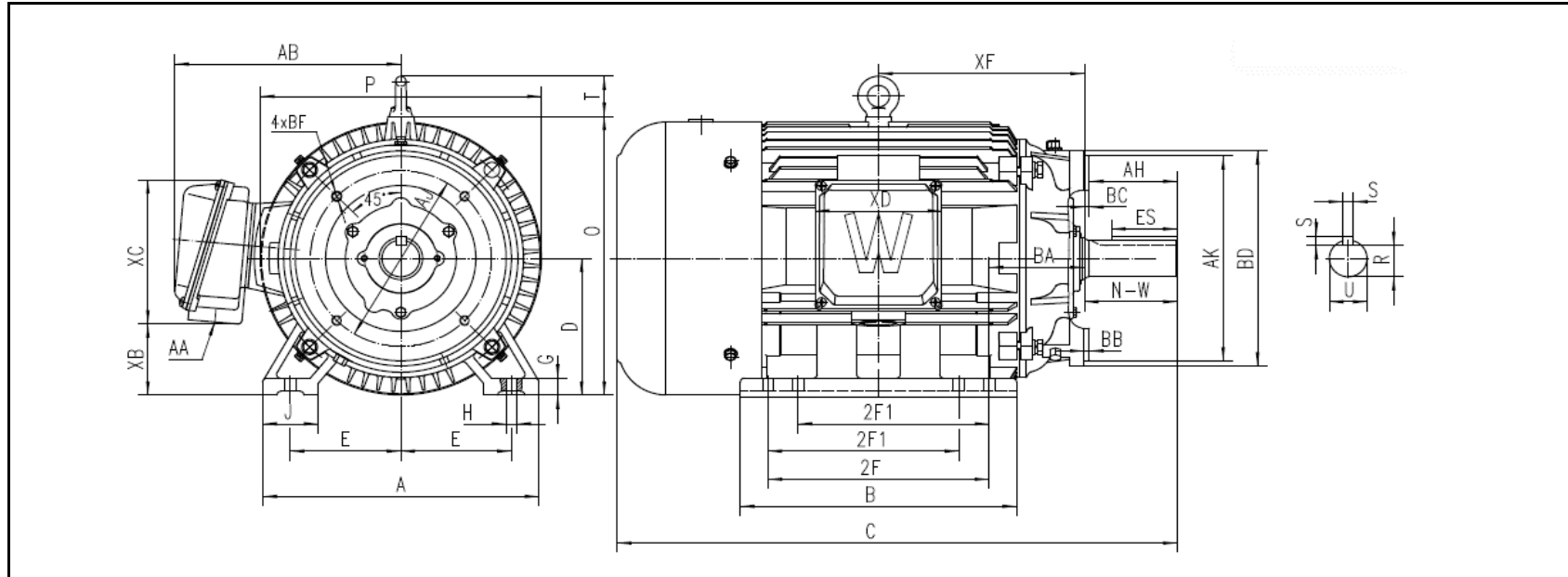
MOTOR DRAWING

Premium Efficiency Motor: **PEWWE20-12-286TC**

WorldWide Electric Corporation

1 (800) 808-2131

Worldwideelectric.net



DIMENSION - INCHES

MOUNTING					A	B	C	D	G	J	P	O	T	AB
E	2F1	2F	H	BA										
5.5	9.5	11	0.53	4.75	13.74	13.74	27.858	7	0.866	2.756	13.976	14.283	2.047	11.239

SHAFT & KEY					
S	ES	R	N-W	AH	U
0.5	3.28	1.591	4.62	4.38	1.875

TERMINAL BOX				
AA	XB	XC	XD	XF
1.5	3.645	7.381	6.299	10.248

FLANGE					
AJ	AK	BB	BD	BF	BC
9	10.5	0.25	11.024	1/2-13	0.25

PERFORMANCE CURVES

WorldWide Electric Corporation

1 (800) 808-2131

Worldwideelectric.net



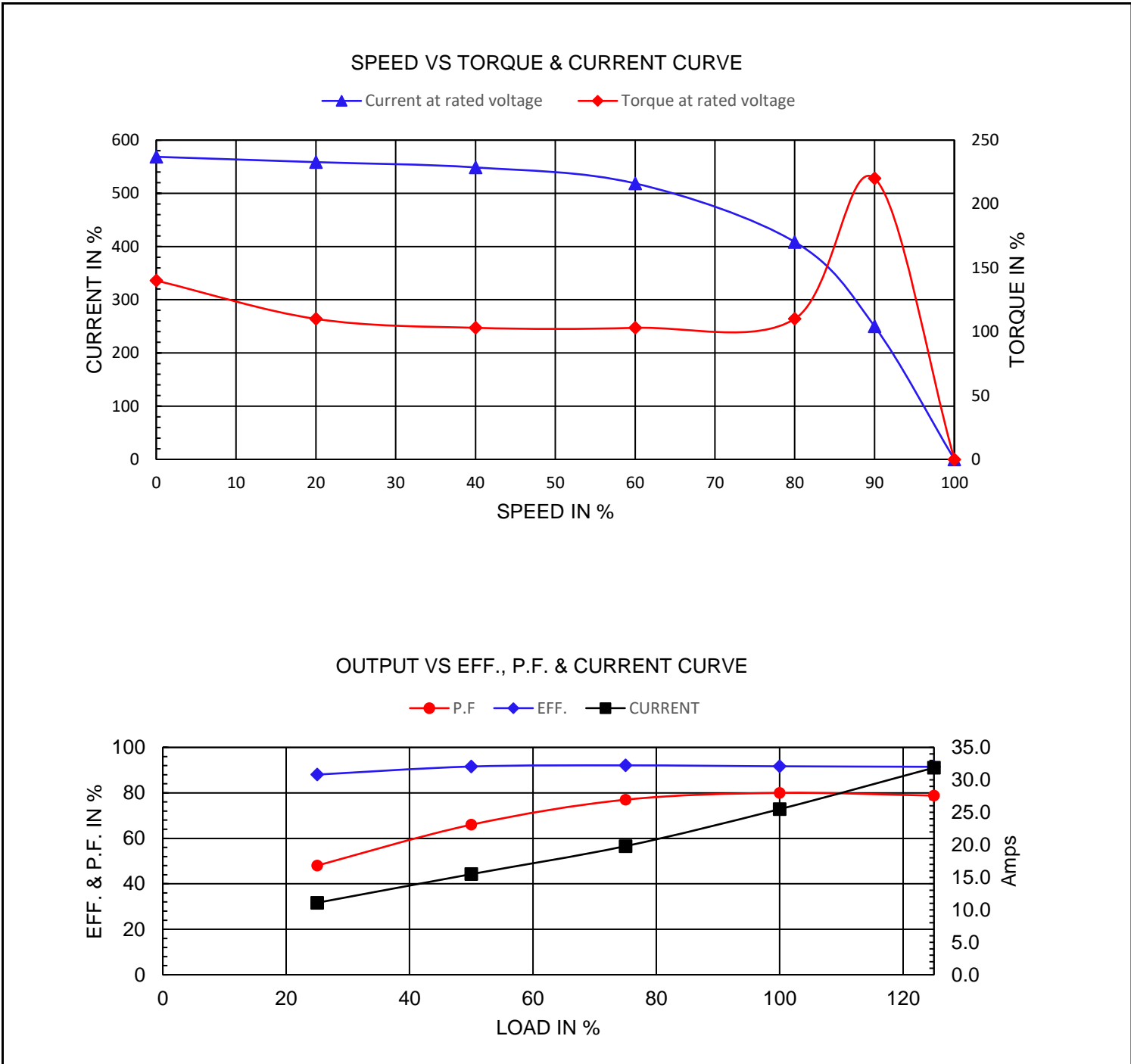
Premium Efficiency Motor:

PEWWE20-12-286TC

Document Generated: 1-Aug-2023
 Document ID:

Customer:

Motor Type	PEWWE		FL Speed	1185	
Output Rating (HP)	20		LRT (%FLT)	140	460 volt FLA 25.5
Full Load Torque	88.6	lb.ft	BDT (%FLT)	220	230 volt FLA 51.1
Rotor Wk^2	4.41	lb-ft^2			



NAMEPLATE / WIRING

Premium Efficiency Motor: **PEWWE20-12-286TC**

WorldWide Electric Corporation

1 (800) 808-2131

Worldwideelectric.net



Document Generated: 1-Aug-2023
Document ID:

Customer:

SAMPLE NAMEPLATE DATA

		NEMA Premium		3-PHASE INDUCTION MOTOR		259277		CE	CC006A															
Model			Ser No.			<table border="1"> <tr><td>6</td><td>4</td><td>5</td></tr> <tr><td>7</td><td>8</td><td>9</td></tr> <tr><td>12</td><td>10</td><td>11</td></tr> <tr><td>1</td><td>2</td><td>3</td></tr> <tr><td>L1</td><td>L2</td><td>L3</td></tr> </table>				6	4	5	7	8	9	12	10	11	1	2	3	L1	L2	L3
6	4	5																						
7	8	9																						
12	10	11																						
1	2	3																						
L1	L2	L3																						
HP	S.F.	IP	Encl																					
Frame	P.F.	Code	Type																					
Voltage	230/460	Hz	Ins Cl	Rating	°C Amb Cont																			
Amps	RPM	Design	Date																					
Nom.Eff.	FL	% 3/4	% 230/460V	10:1 CT	20:1 VT	PWM	VFD	1.0SF																
Class I DIV. 2 Groups A B C D			Amb.40°C	T3C(160°C)	DE Brng																			
Class I Zone 2 IIC			Amb.55°C	T3A(180°C)	ODE Brng																			
			Grease type: LGHP 2 (compatible with polyrex)																					
50Hz	HP	V	A	rpm	S.F1.0																			

Model	PEWWE20-12-286TC						
HP	20	S.F.	1.25	IP	IP55	Encl	TEFC
Frame	286TC	P.F.	0.8	Code	G	Type	
Voltage	230/460 V	Hz	60 Hz	Ins Cl	F	Ambient	40°C
Amps	51.1/25.5	RPM	1185	Design	B	DE Brng	6311 C3
Nom.Eff.	FL	91.7%	3/4	92.1%		ODE Brng	6309 C3
Class 1 Division 2 Groups A,B,C,D				T3C(160°C)		Grease type: SKF LGHP 2	
50Hz	20 HP	200/400 V	30/30	A	980 rpm		