

DATA SHEET

Premium Efficiency Motor: **PEWWE20-18-256TZ-GD,**

60 Hz

WorldWide Electric Corporation

1 (800) 808-2131

Worldwideelectric.net



Document Generated: 11-Dec-2023
Document ID:

Customer:

MOTOR INFORMATION	
HP	20
RPM	1800
Phase	3
Frequency	60
Voltage	230/460
Frame Size	256TZ
Enclosure	TEFC
Degree of Protection	IP55
Service Factor	1.25
Poles	4
Full Load Speed	1765
Insulation Class	F
Temp Rise	80°C
NEMA Code Letter	G
Duty Cycle	S1 / Continuous
Slip	1.94%
NEMA Design	B
Moment of Inertia	2.23 lb.ft.^2
Locked Rotor Time (Hot)	22 seconds
Sound Pressure Level	68 dB(A)
Number of Starts	2 Cold / 1 Hot
Max Ambient Temperature	40°C
Max Elevation	1000 m.a.s.l (3300 f.a.s.l)
Mounting	F1
Rotation	Bi-Directional
Area of Classification	Class 1 Division 2 Groups A,B,C,D - T3C
Inverter Rating	10:1 CT / 20:1 VT
Standard	NEMA MG-1
Approvals	CSA, CE

EFFICIENCY/POWER FACTOR		
LOAD	EFF	P. F.
100%	93.0 %	0.85
75%	93.2 %	0.82
50%	92.9 %	0.72

TORQUE		
FULL LOAD	LRT	BDT
59.5 lb.ft.	180 %	390 %

AMPERAGE INFORMATION		
	230V	460V
Full Load Amps	47.4A	23.7A
Locked Rotor Amps	290A	145A
No Load Current	18A	9A

BEARING INFORMATION	
DE Bearing	6309ZZ C3
ODE Bearing	6209ZZ C3

ADDITIONAL DATA	
F2 Suitable	Y
Shaft Material	1045 Carbon Steel
Connection Diagram	230 / 460 V - 9 Lead Δ
Lead Length	72 inches
Approximate Weight	299 lbs.

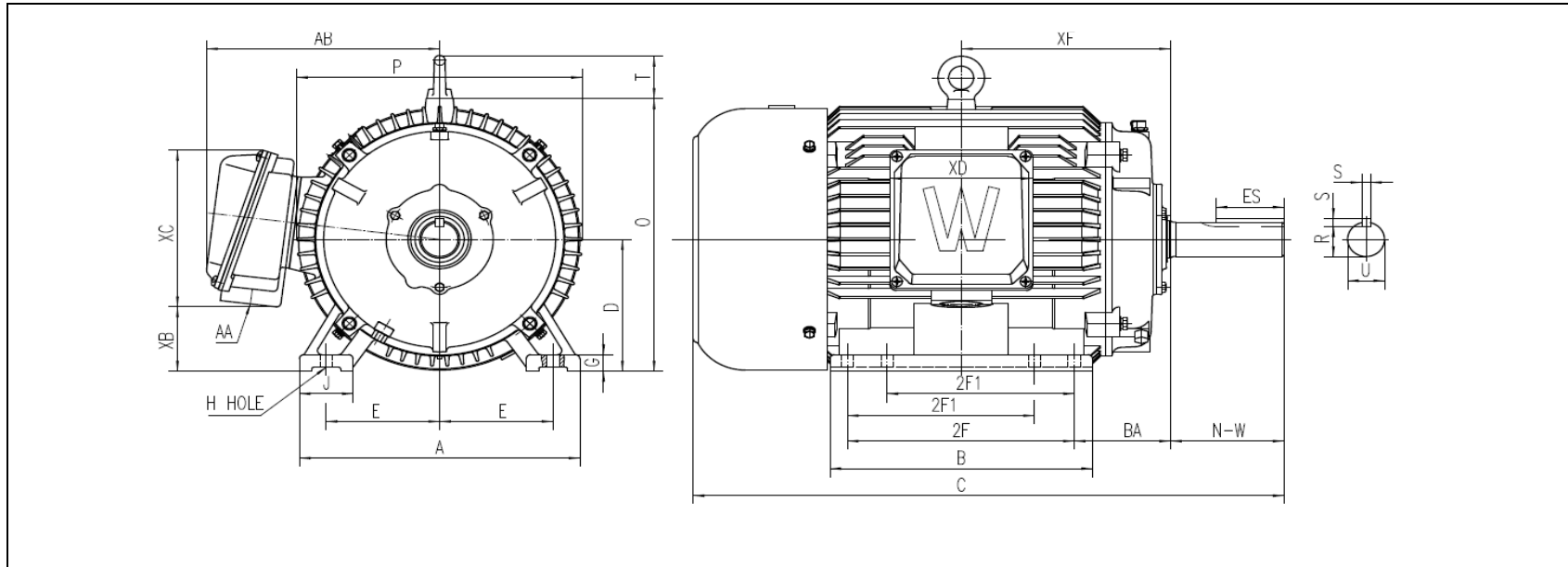
MOTOR DRAWING

Premium Efficiency Motor: **PEWWE20-18-256TZ-GD**

WorldWide Electric Corporation

1 (800) 808-2131

Worldwideelectric.net



DIMENSION - INCHES

MOUNTING					A	B	C	D	G	J	P	O	T	AB
E	2F1	2F2	H	BA										
5	8.25	10	0.53	4.25	12.362	11.575	26.041	6.25	0.787	2.362	12.598	12.894	2.006	10.276

SHAFT & KEY				
S	ES	R	N-W	U
0.375	2.91	1.416	5	1.625

TERMINAL BOX				
AA	XB	XC	XD	XE
1-1/2	3.047	7.406	6.299	9.23

PERFORMANCE CURVES

Premium Efficiency Motor:

PEWWE20-18-256TZ-GD

WorldWide Electric Corporation

1 (800) 808-2131

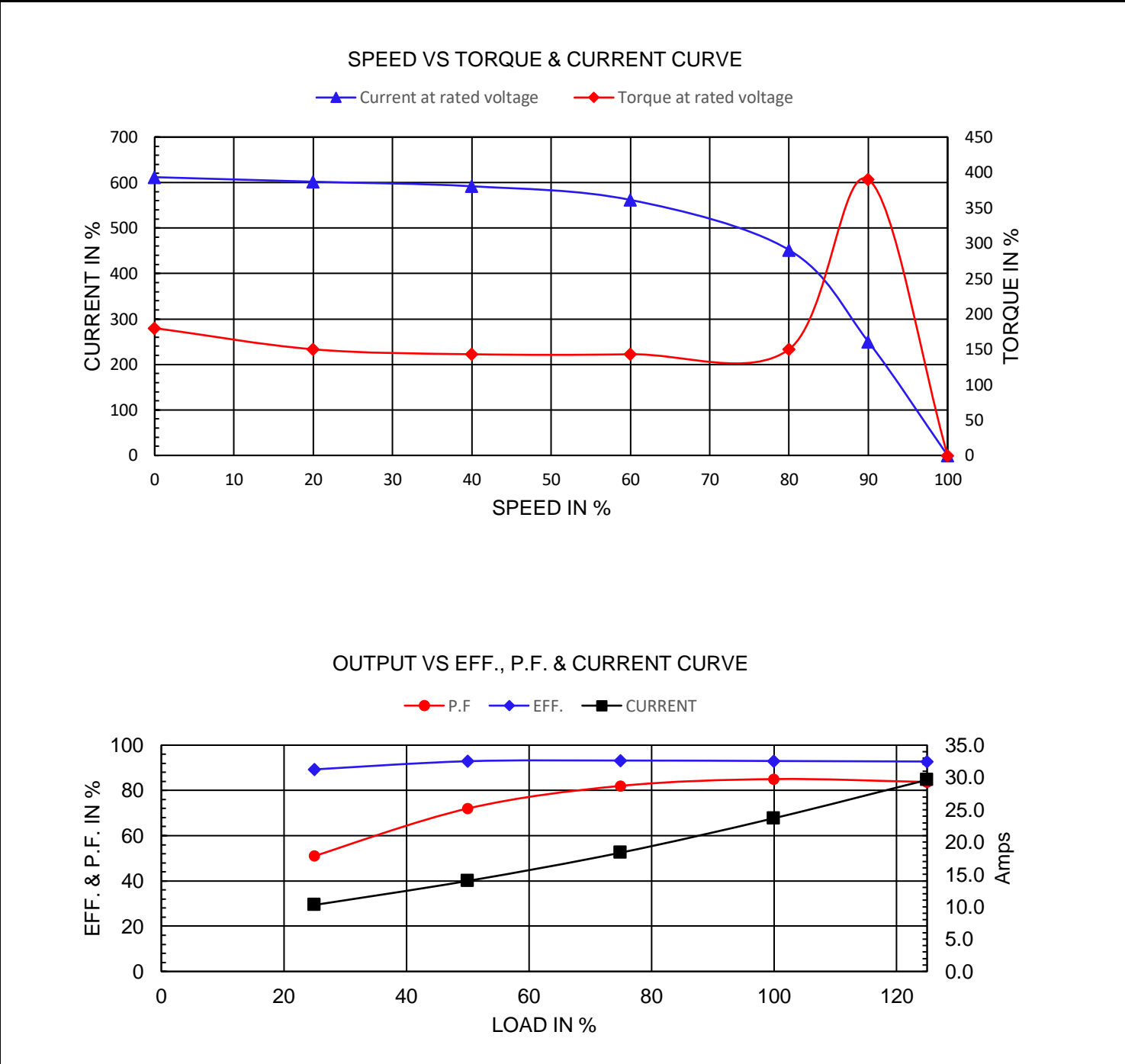
Worldwideelectric.net



Document Generated: 11-Dec-2023
Document ID:

Customer:

Motor Type	PEWWE				
Output Rating (HP)	20		FL Speed	1765	
Full Load Torque	59.5	lb.ft	LRT (%FLT)	180	460 volt FLA 23.7
Rotor Wk ²	2.23	lb-ft ²	BDT (%FLT)	390	230 volt FLA 47.4



NAMEPLATE / WIRING

WorldWide Electric Corporation

1 (800) 808-2131

Worldwideelectric.net



Premium Efficiency Motor: **PEWWE20-18-256TZ-GD**

Document Generated: 11-Dec-2023
Document ID:

Customer:

SAMPLE NAMEPLATE DATA

		NEMA Premium		3-PHASE INDUCTION MOTOR		259277		CE	
Model		Ser No.		Low Voltage		6 4 5		7 8 9	
HP	S.F.	IP	Encl	High Voltage		4 5 6		7 8 9	
Frame	P.F.	Code	Type	1 2 3		L1 L2 L3		1 2 3	
Voltage	Hz	Ins Cl	Rating	L1 L2 L3		4 5 6		7 8 9	
Amps	RPM	Design	Date	1 2 3		L1 L2 L3		1 2 3	
Nom.Eff.	FL	% 3/4	% 230/460V	10:1 CT 20:1 VT PWM VFD 1.0SF		4 5 6		7 8 9	
Class I DIV. 2 Groups A B C D		Amb.40°C	T3C(160°C)	DE Brng		4 5 6		7 8 9	
Class I Zone 2 IIC		Amb.55°C	T3A(180°C)	ODE Brng		1 2 3		L1 L2 L3	
Grease type:		50Hz		HP	V	A	rpm	S.F1.0	
WorldWide Electric Corporation									

Model	PEWWE20-18-256TZ-GD						
HP	20	S.F.	1.25	IP	IP55	Encl	TEFC
Frame	256TZ	P.F.	0.85	Code	G	Type	BJPE
Voltage	230/460	Hz	60	Ins Cl	F	Rating	40°C
Amps	47.4/23.7	RPM	1765	Design	B	DE Brng	6309ZZ C3
Nom.Eff.	93.0%	3/4 Eff	93.2%	ODE Brng			6209ZZ C3
50Hz							
HP	20	Volts	200/400	200V FLA	55.9A	RPM	1460
				400V FLA	28		