

# DATA SHEET

Premium Efficiency Motor: **PEWWE20-18-575-256TC**

**60 Hz**

WorldWide Electric Corporation

1 (800) 808-2131

Worldwideelectric.net



Document Generated: 15-Feb-2023  
Document ID:

Customer:

MOTOR INFORMATION	
HP	20
RPM	1800
Phase	3
Frequency	60 Hz
Voltage	575 V
Frame Size	256TC
Enclosure	TEFC
Degree of Protection	IP55
Service Factor	1.25
Poles	4
Full Load Speed	1765
Insulation Class	F
Temp Rise	80°C
NEMA Code Letter	G
Duty Cycle	S1 / Continuous
Slip	1.94%
NEMA Design	B
Moment of Inertia	2.32 lb.ft.^2
Locked Rotor Time (Hot)	22 seconds
Sound Pressure Level	68 dB(A)
Number of Starts	2 Hot/1 Cold
Max Ambient Temperature	40°C
Max Elevation	1000 m.a.s.l (3300 f.a.s.l)
Mounting	F1
Rotation	Bi-Directional
Area of Classification	Class I, Division 2, Groups A, B, C, D
Inverter Rating	10:1 CT / 20:1 VT PWM Type
Standard	NEMA MG-1
Approvals	CSA-US, CE

EFFICIENCY/POWER FACTOR		
LOAD	EFF	P. F.
100%	93.0 %	0.85
75%	93.2 %	0.82
50%	92.9 %	0.72

TORQUE		
FULL LOAD	LRT	BDT
59.5 lb.ft.	180 %	250 %

AMPERAGE INFORMATION		
	575V	
Full Load Amps	19A	
Locked Rotor Amps	116A	
No Load Current	7.5A	

BEARING INFORMATION	
DE Bearing	6309 C3
ODE Bearing	6209 C3
Grease Type	SKF LGHP 2
DE Regreasing Interval	5000 Hours
ODE Regreasing Interval	5000 Hours

ADDITIONAL DATA	
F2 Suitable	Yes
Shaft Material	1045 Carbon Steel
Connection Diagram	575V - 3 Lead Y
Approximate Weight	297 lbs.

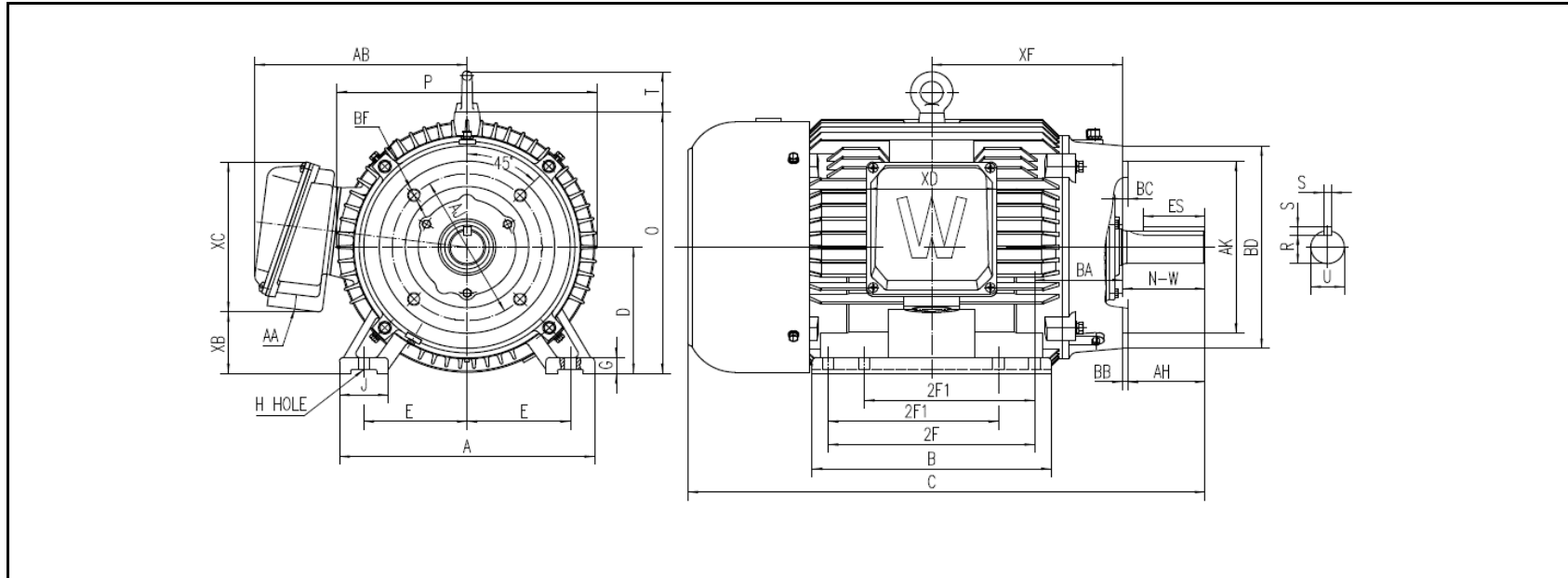
# MOTOR DRAWING

Premium Efficiency Motor: **PEWWE20-18-575-256TC**

WorldWide Electric Corporation

1 (800) 808-2131

Worldwideelectric.net



## DIMENSION - INCHES

MOUNTING					A	B	C	D	G	J	P	O	T	AB
E	2F1	2F	H	BA										
5	8.25	10	0.53	4.25	12.362	11.575	25.041	6.25	0.787	2.362	12.598	12.894	2.006	10.276

SHAFT & KEY				
S	ES	R	N-W	U
0.375	2.91	1.416	4	1.625

TERMINAL BOX				
AA	XB	XC	XD	XF
1.5	3.047	7.406	6.299	9.23

FLANGE				
AJ	AK	BB	BD	BF
7.25	8.5	0.25	10	1/2-13

# PERFORMANCE CURVES

WorldWide Electric Corporation

1 (800) 808-2131

Worldwideelectric.net



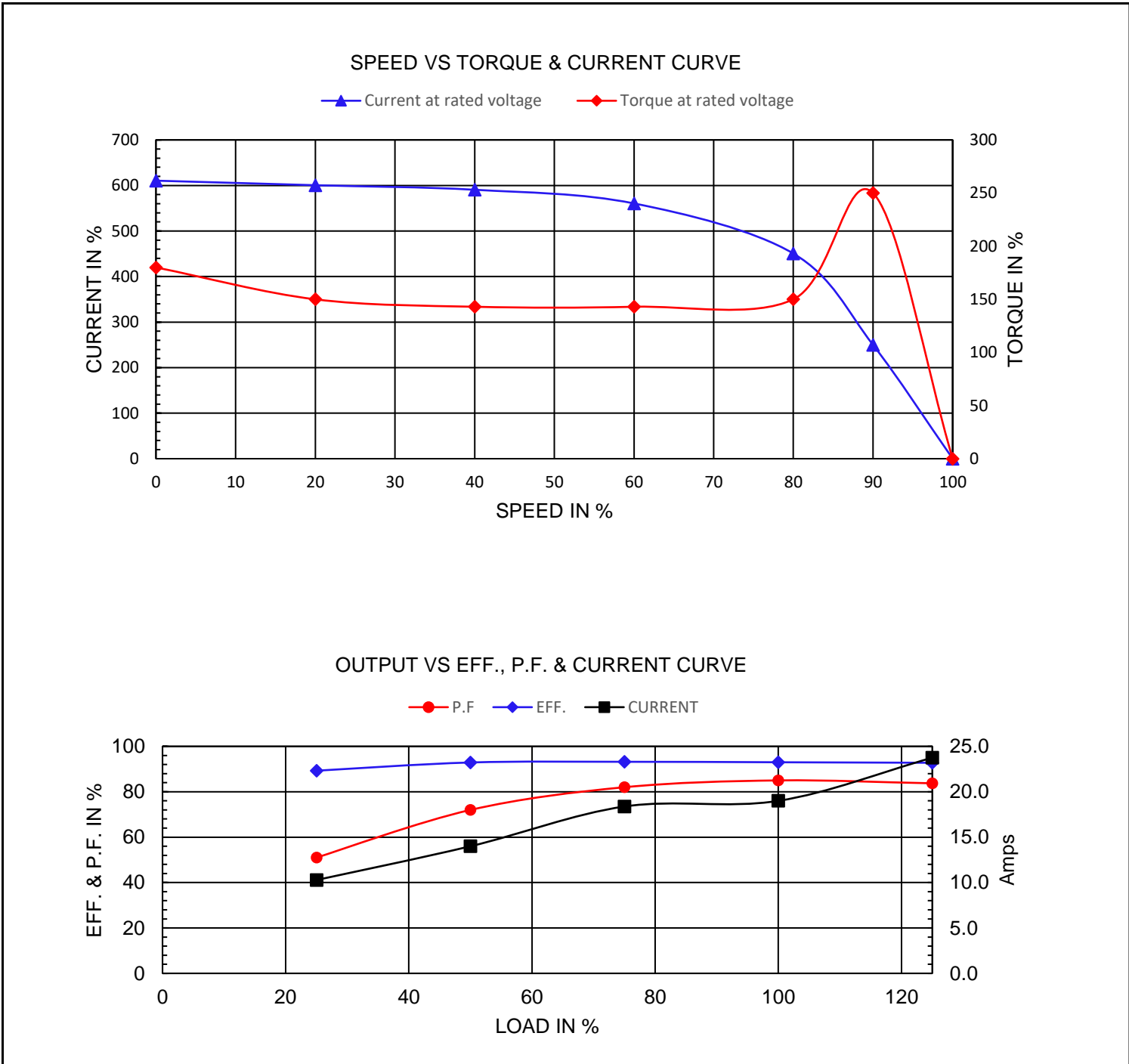
Premium Efficiency Motor:

**PEWWE20-18-575-256TC**

Document Generated: 15-Feb-2023  
 Document ID:

Customer:

Motor Type	PEWWE		
Output Rating (HP)	20	FL Speed	1765
Full Load Torque	165 lb.ft	LRT (%FLT)	180
Rotor Wk <sup>2</sup>	1.94 lb-ft <sup>2</sup>	BDT (%FLT)	250
		575 Volt FLA	19A



# NAMEPLATE / WIRING

WorldWide Electric Corporation

1 (800) 808-2131

Worldwideelectric.net



Premium Efficiency Motor: **PEWWE20-18-575-256TC**

Document Generated: 15-Feb-2023  
Document ID:

Customer:

## SAMPLE NAMEPLATE DATA

	<b>NEMA Premium</b>	<b>3-PHASE INDUCTION MOTOR</b>	259277 	 CC006A		
Model	Ser No.					
HP	S.F.	IP	Encl	<b>Connection</b> 		
Frame	P.F.	Code	Type			
Voltage	Hz	Ins Cl	Rating			
Amps	RPM	Design	Date			
Nom. Eff.	FL	% 3/4	%	V	10:1 CT 20:1 VT PWM VFD 1.0SF	
Class I DIV. 2 Groups A B C D		Amb.40°C	T3C(160°C)	DE Brng		
Class I Zone 2 II C		Amb.55°C	T3A(180°C)	ODE Brng		
				Grease type:		
50Hz		HP	V	A	rpm	S.F.1.0
<b>WorldWide Electric Corporation</b>						

<b>Model</b>	PEWWE20-18-575-256TC				
<b>HP</b>	20	<b>S.F.</b>	1.25	<b>IP</b>	IP55
<b>Frame</b>	256TC	<b>P.F.</b>	0.85	<b>Code</b>	G
<b>Voltage</b>	575 V	<b>Hz</b>	60 Hz	<b>Ins Cl</b>	F
<b>Amps</b>	19A	<b>RPM</b>	1765	<b>Design</b>	B
<b>Nom. Eff.</b>	FL	93.0%	3/4	93.2%	

<b>Encl</b>	TEFC
<b>Amb.</b>	40°C
<b>DE Brng</b>	6309 C3
<b>ODE Brng</b>	6209 C3

50Hz	20 HP	500 V	22.4 A	1460 RPM
------	-------	-------	--------	----------