

DATA SHEET

Premium Efficiency Motor: **PEWWE20-36-256T**

60 Hz

WorldWide Electric Corporation

1 (800) 808-2131

Worldwideelectric.net



Document Generated: 31-Jul-2023

Document ID:

Customer:

MOTOR INFORMATION

HP	20
RPM	3600
Phase	3
Frequency	60 Hz
Voltage	230/460 V
Frame Size	256T
Enclosure	TEFC
Degree of Protection	IP55
Service Factor	1.25
Poles	2
Full Load Speed	3540
Insulation Class	F
Temp Rise	80°C
NEMA Code Letter	G
Duty Cycle	S1 / Continuous
Slip	1.66%
NEMA Design	B
Moment of Inertia	1.2 lb.ft.^2
Locked Rotor Time (Hot)	18 seconds
Sound Pressure Level	72 dB(A)
Number of Starts	2 Cold/ 1 Hot
Max Ambient Temperature	40°C
Max Elevation	1000 m.a.s.l (3300 f.a.s.l)
Mounting	F1
Rotation	Bi-Directional
Area of Classification	Class 1 Division 2 Groups A,B,C,D T3C(160°C)
Inverter Rating	10:1 CT / 20:1 VT PWM Type
Standard	NEMA MG-1
Approvals	CSA-US, CE

EFFICIENCY/POWER FACTOR

LOAD	EFF	P. F.
100%	91.0 %	0.89
75%	91.5 %	0.88
50%	91.2 %	0.83

TORQUE

FULL LOAD	LRT	BDT
29.7 lb.ft.	160 %	230 %

AMPERAGE INFORMATION

	230V	460V
Full Load Amps	46.2A	23.1A
Locked Rotor Amps	290A	145A
No Load Current	11.6A	5.8A
Usable at 208V	51.1A	

BEARING INFORMATION

DE Bearing	6309 C3
ODE Bearing	6209 C3
Grease Type	-
DE Regreasing Interval	3000 Hours
ODE Regreasing Interval	3000 Hours

ADDITIONAL DATA

F2 Suitable	Yes
Shaft Material	1045 Carbon Steel
Connection Diagram	230 / 460 V - 9 Lead Δ
Approximate Weight	288 lbs.

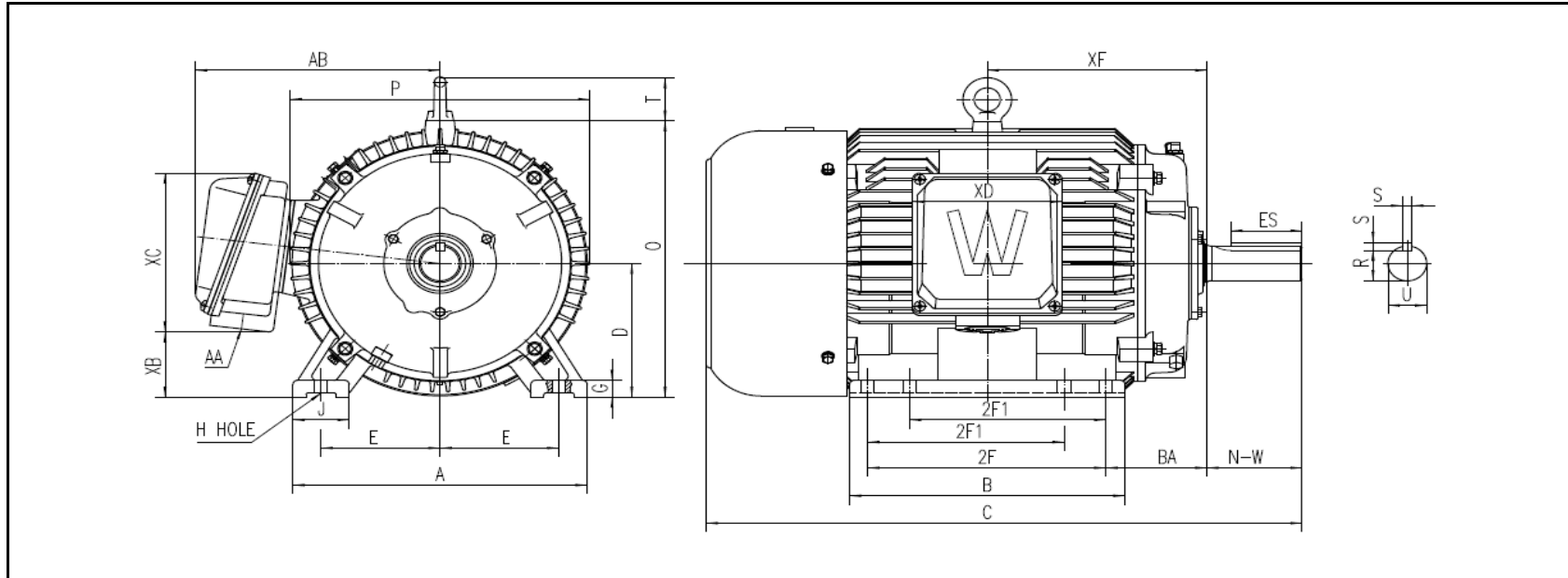
MOTOR DRAWING

Premium Efficiency Motor: **PEWWE20-36-256T**

WorldWide Electric Corporation

1 (800) 808-2131

Worldwideelectric.net



DIMENSION - INCHES

MOUNTING					A	B	C	D	G	J	P	O	T	AB
E	2F1	2F	H	BA										
5	8.25	10	0.53	4.25	12.362	11.575	25.041	6.25	0.787	2.362	12.598	12.894	2.006	10.276

SHAFT & KEY				
S	ES	R	N-W	U
0.375	2.91	1.416	4	1.625

TERMINAL BOX				
AA	XB	XC	XD	XF
1 1/2	3.047	7.406	6.299	9.23

PERFORMANCE CURVES

WorldWide Electric Corporation

1 (800) 808-2131

Worldwideelectric.net



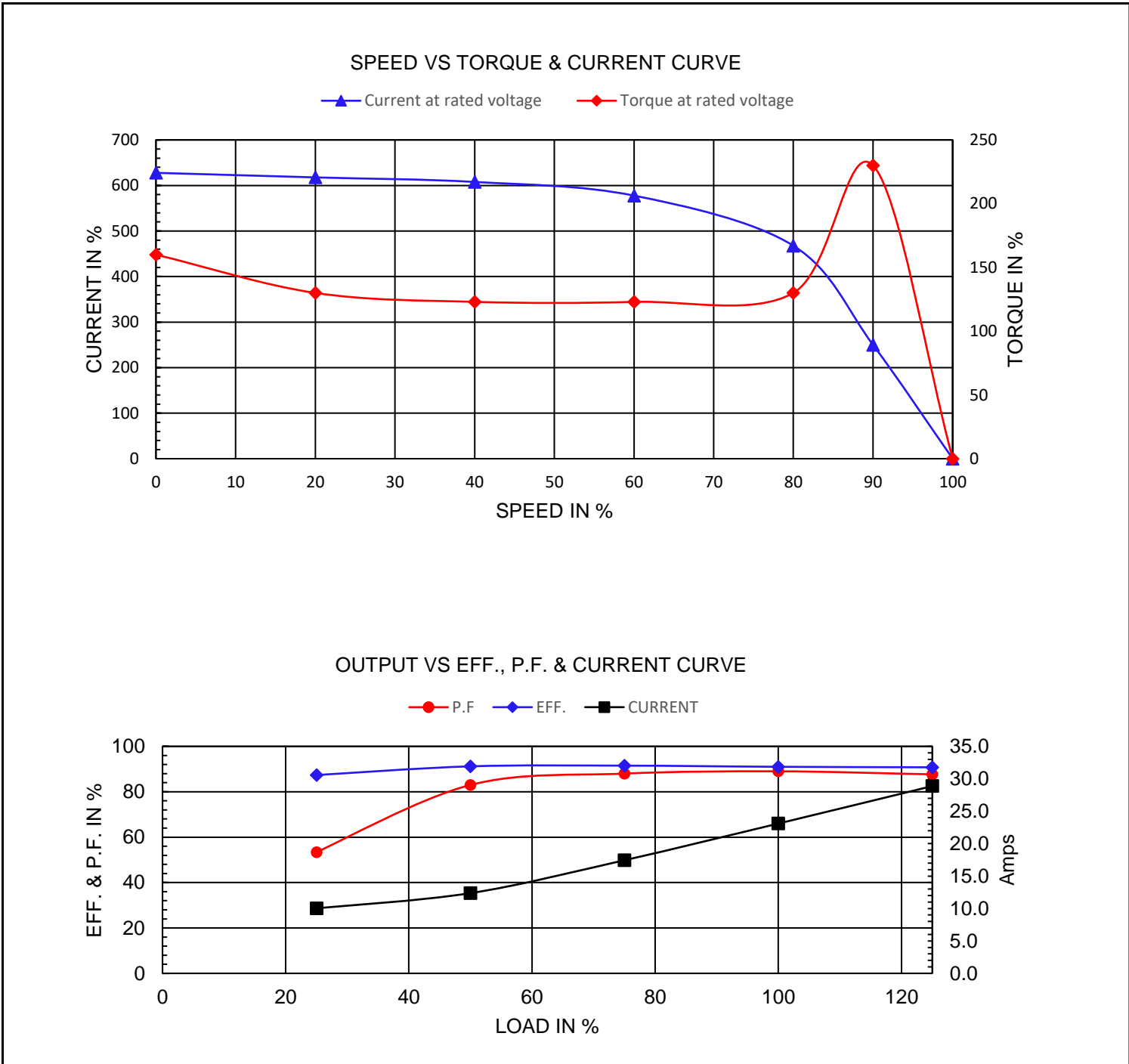
Premium Efficiency Motor:

PEWWE20-36-256T

Document Generated: 31-Jul-2023
 Document ID:

Customer:

Motor Type	PEWWE				
Output Rating (HP)	20	FL Speed	3540		
Full Load Torque	29.7 lb.ft	LRT (%FLT)	160	460 volt FLA	23.1 A
Rotor Wk ²	1.2 lb-ft ²	BDT (%FLT)	230	230 volt FLA	46.2 A



NAMEPLATE / WIRING

WorldWide Electric Corporation

1 (800) 808-2131

Worldwideelectric.net



Premium Efficiency Motor:

PEWWE20-36-256T

Document Generated: 31-Jul-2023
Document ID:

Customer:

SAMPLE NAMEPLATE DATA

		NEMA Premium		3-PHASE INDUCTION MOTOR		259277 		CC006A	
Model				Ser No.				Low Voltage 6 4 5 7 8 9 1 2 3 L1 L2 L3 High Voltage 4 5 6 7 8 9 1 2 3 L1 L2 L3	
HP	S.F.	IP	Encl						
Frame	P.F.	Code	Type						
Voltage	230/460	Hz	Ins Cl	Rating	°C Amb Cont				
Amps	RPM	Design	Date						
Nom.Eff.	FL	% 3/4	% 230/460V	10:1 CT	20:1 VT	PWM	VFD		1.0SF
Class I DIV. 2 Groups A B C D			Amb.40°C	T3C(160°C)	DE Brng				
Class I Zone 2 IIC			Amb.55°C	T3A(180°C)	ODE Brng				
				Grease type:					
50Hz		HP	V	A	rpm	S.F1.0			
WorldWide Electric Corporation									

Model	PEWWE20-36-256T						
HP	20	S.F.	1.25	IP	IP55	Encl	TEFC
Frame	256T	P.F.	0.89	Code	G	Type	
Voltage	230/460 V	Hz	60 Hz	Ins Cl	F	Ambient	40°C
Amps	46.2/23.1	RPM	3540	Design	B	DE Brng 6309 C3	
Nom.Eff.	FL	91.0%	3/4	91.5%	ODE Brng 6209 C3		
Class 1 Division 2 Groups A,B,C,D					T3C(160°C)		Grease type: -
50Hz	20 HP	200/400 V	53.6/26.8 A	2935 rpm			