

# DATA SHEET

Premium Efficiency Motor: **PEWWE20-9-324T**

**60 Hz**

WorldWide Electric Corporation

1 (800) 808-2131

Worldwideelectric.net



Document Generated: 31-Jul-2023  
Document ID:

Customer:

MOTOR INFORMATION	
HP	20
RPM	900
Phase	3
Frequency	60Hz
Voltage	230/460 V
Frame Size	324T
Enclosure	TEFC
Degree of Protection	IP55
Service Factor	1.25
Poles	8
Full Load Speed	875
Insulation Class	F
Temp Rise	80°C
NEMA Code Letter	G
Duty Cycle	S1 / Continuous
Slip	2.78%
NEMA Design	B
Moment of Inertia	7.89 lb.ft.^2
Locked Rotor Time (Hot)	13 seconds
Sound Pressure Level	68 dB(A)
Number of Starts	2 Cold/ 1 Hot
Max Ambient Temperature	40°C
Max Elevation	1000 m.a.s.l (3300 f.a.s.l)
Mounting	F1
Rotation	Bi-Directional
Area of Classification	Class 1 Division 2 Groups A,B,C,D T3C(160°C)
Inverter Rating	10:1 CT / 20:1 VT PWM Type
Standard	NEMA MG-1
Approvals	CSA-US, CE

EFFICIENCY/POWER FACTOR		
LOAD	EFF	P. F.
100%	90.2 %	0.79
75%	91.2 %	0.74
50%	91.1 %	0.62

TORQUE		
FULL LOAD	LRT	BDT
120 lb.ft.	165 %	220 %

AMPERAGE INFORMATION		
	230V	460V
Full Load Amps	52.6A	26.3A
Locked Rotor Amps	290A	145A
No Load Current	23A	11.5A
Usable at 208V	58.1A	

BEARING INFORMATION	
DE Bearing	6312 C3
ODE Bearing	6311 C3
Grease Type	SKF LGHP 2
DE Regreasing Interval	6800 Hours
ODE Regreasing Interval	6800 Hours

ADDITIONAL DATA	
F2 Suitable	Yes
Shaft Material	1045 Carbon Steel
Connection Diagram	230 / 460 V - 12 Lead Δ
Approximate Weight	478 lbs.

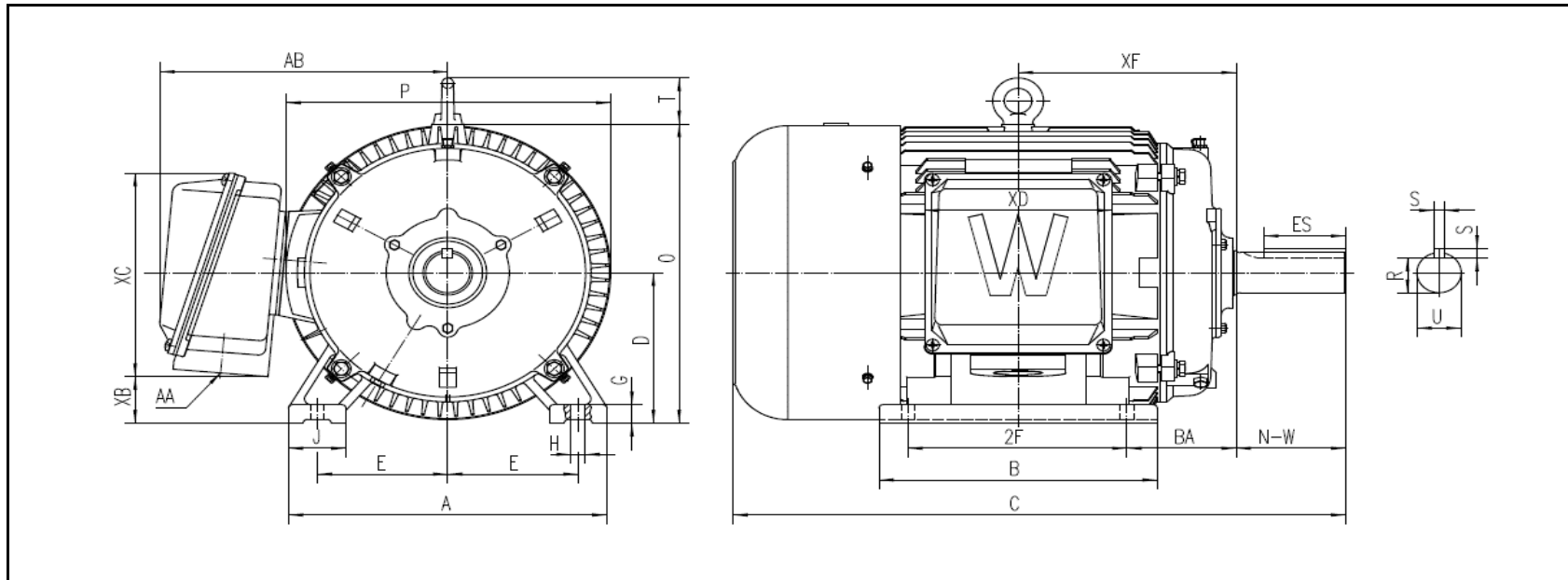
# MOTOR DRAWING

Premium Efficiency Motor: **PEWWE20-9-324T**

WorldWide Electric Corporation

1 (800) 808-2131

Worldwideelectric.net



## DIMENSION - INCHES

MOUNTING					A	B	C	D	G	J	P	O	T	AB
E	2F1	2F	H	BA										
6.25	--	10.5	0.66	5.25	15.276	13.346	29.392	8	0.984	2.756	15.751	15.913	2.441	13.813

SHAFT & KEY				
S	ES	R	N-W	U
0.5	3.91	1.845	5.25	2.125

TERMINAL BOX				
AA	XB	XC	XD	XF
2	2.471	10.826	8.976	10.461

# PERFORMANCE CURVES

WorldWide Electric Corporation

1 (800) 808-2131

Worldwideelectric.net



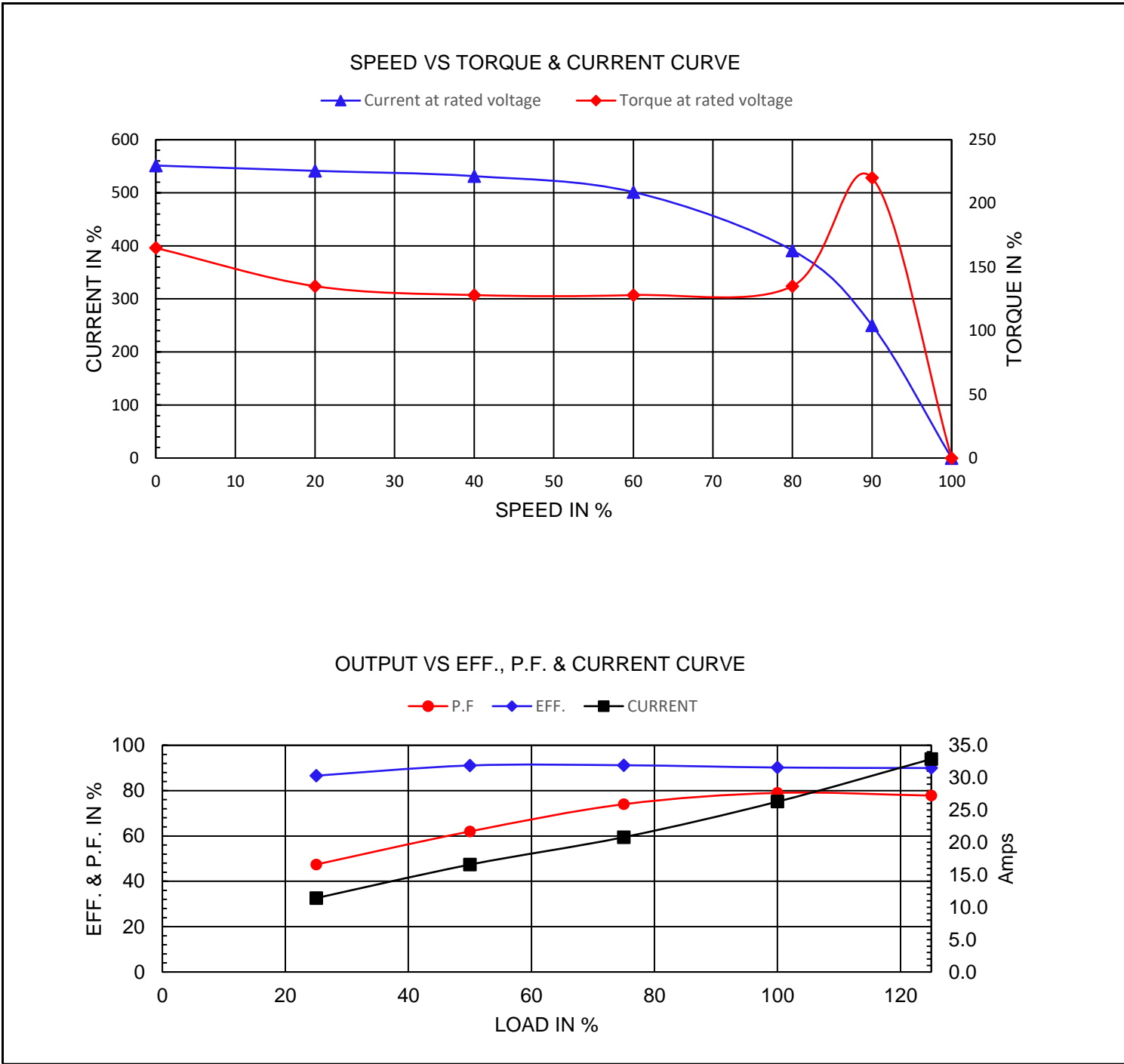
Premium Efficiency Motor:

**PEWWE20-9-324T**

Document Generated: 31-Jul-2023  
 Document ID:

Customer:

Motor Type	PEWWE		FL Speed	875	
Output Rating (HP)	20		LRT (%FLT)	165	460 volt FLA 26.3 A
Full Load Torque	120 lb.ft		BDT (%FLT)	220	230 volt FLA 52.6 A
Rotor Wk^2	7.89 lb-ft^2				



# NAMEPLATE / WIRING

WorldWide Electric Corporation

1 (800) 808-2131

Worldwideelectric.net



Premium Efficiency Motor:

**PEWWE20-9-324T**

Document Generated: 31-Jul-2023  
Document ID:

Customer:

## SAMPLE NAMEPLATE DATA

		<b>NEMA Premium</b>		<b>3-PHASE INDUCTION MOTOR</b>		259277 	<b>CE</b> CC006A
Model	<input type="text"/>	Ser No.	<input type="text"/>				
HP	<input type="text"/>	S.F.	<input type="text"/>	IP	<input type="text"/>	Encl	<input type="text"/>
Frame	<input type="text"/>	P.F.	<input type="text"/>	Code	<input type="text"/>	Type	<input type="text"/>
Voltage	230/460	Hz	<input type="text"/>	Ins Cl	<input type="text"/>	Rating	°C Amb Cont
Amps	<input type="text"/>	RPM	<input type="text"/>	Design	<input type="text"/>	Date	<input type="text"/>
Nom.Eff.	FL	% 3/4	% 230/460 V	10:1 CT	20:1 VT	PWM VFD	1.0SF
Class I DIV. 2 Groups A B C D			Amb.40°C	DE Brng			
Class I Zone 2 IIC			Amb.55°C	ODE Brng			
				Grease type: LGHP 2 (compatible with polyrex)			
50Hz		HP	V	A	rpm	1.0SF	

Model	<input type="text" value="PEWWE20-9-324T"/>						
HP	<input type="text" value="20"/>	S.F.	<input type="text" value="1.25"/>	IP	<input type="text" value="IP55"/>	Encl	<input type="text" value="TEFC"/>
Frame	<input type="text" value="324T"/>	P.F.	<input type="text" value="0.79"/>	Code	<input type="text" value="G"/>	Type	<input type="text"/>
Voltage	<input type="text" value="230/460 V"/>	Hz	<input type="text" value="60Hz"/>	Ins Cl	<input type="text" value="F"/>	Ambient	<input type="text" value="40°C"/>
Amps	<input type="text" value="52.6/26.3"/>	RPM	<input type="text" value="875"/>	Design	<input type="text" value="B"/>	DE Brng 6312 C3	
Nom.Eff.	<input type="text" value="FL 90.2% 3/4 91.2%"/>			ODE Brng 6311 C3			
Class 1 Division 2 Groups A,B,C,D						T3C(160°C)	
						Grease type: SKF LGHP 2	
50Hz	20 HP	200/400 V	62/31	A	725 rpm		