

DATA SHEET

Premium Efficiency Motor: **PEWWE200-12-449TC**

60 Hz

WorldWide Electric Corporation

1 (800) 808-2131

Worldwideelectric.net



Document Generated: 1-Aug-2023
Document ID:

Customer:

MOTOR INFORMATION	
HP	200
RPM	1200
Phase	3
Frequency	60 Hz
Voltage	230/460 V
Frame Size	449TC
Enclosure	TEFC
Degree of Protection	IP55
Service Factor	1.25
Poles	6
Full Load Speed	1190
Insulation Class	F
Temp Rise	80°C
NEMA Code Letter	G
Duty Cycle	S1 / Continuous
Slip	0.83%
NEMA Design	B
Moment of Inertia	108 lb.ft.^2
Locked Rotor Time (Hot)	14 seconds
Sound Pressure Level	78 dB(A)
Number of Starts	2 Cold/ 1 Hot
Max Ambient Temperature	40°C
Max Elevation	1000 m.a.s.l (3300 f.a.s.l)
Mounting	F1
Rotation	Bi-Directional
Area of Classification	Class 1 Division 2 Groups A,B,C,D T3(200°C)
Inverter Rating	10:1 CT / 20:1 VT PWM Type
Standard	NEMA MG-1
Approvals	CSA-US, CE

EFFICIENCY/POWER FACTOR		
LOAD	EFF	P. F.
100%	95.8 %	0.8
75%	95.7 %	0.75
50%	95.0 %	0.64

TORQUE		
FULL LOAD	LRT	BDT
882 lb.ft.	190 %	250 %

AMPERAGE INFORMATION		
	230V	460V
Full Load Amps	489A	244A
Locked Rotor Amps	2900A	1450A
No Load Current	190A	95A
Usable at 208V	540A	

BEARING INFORMATION	
DE Bearing	6320 C3
ODE Bearing	6320 C3
Grease Type	SKF LGHP 2
DE Regreasing Interval	2000 Hours
ODE Regreasing Interval	2700 Hours

ADDITIONAL DATA	
F2 Suitable	Yes
Shaft Material	4140 Carbon Steel
Connection Diagram	230 / 460 V - 12 Lead (2Δ/Δ)
Approximate Weight	2664 lbs.

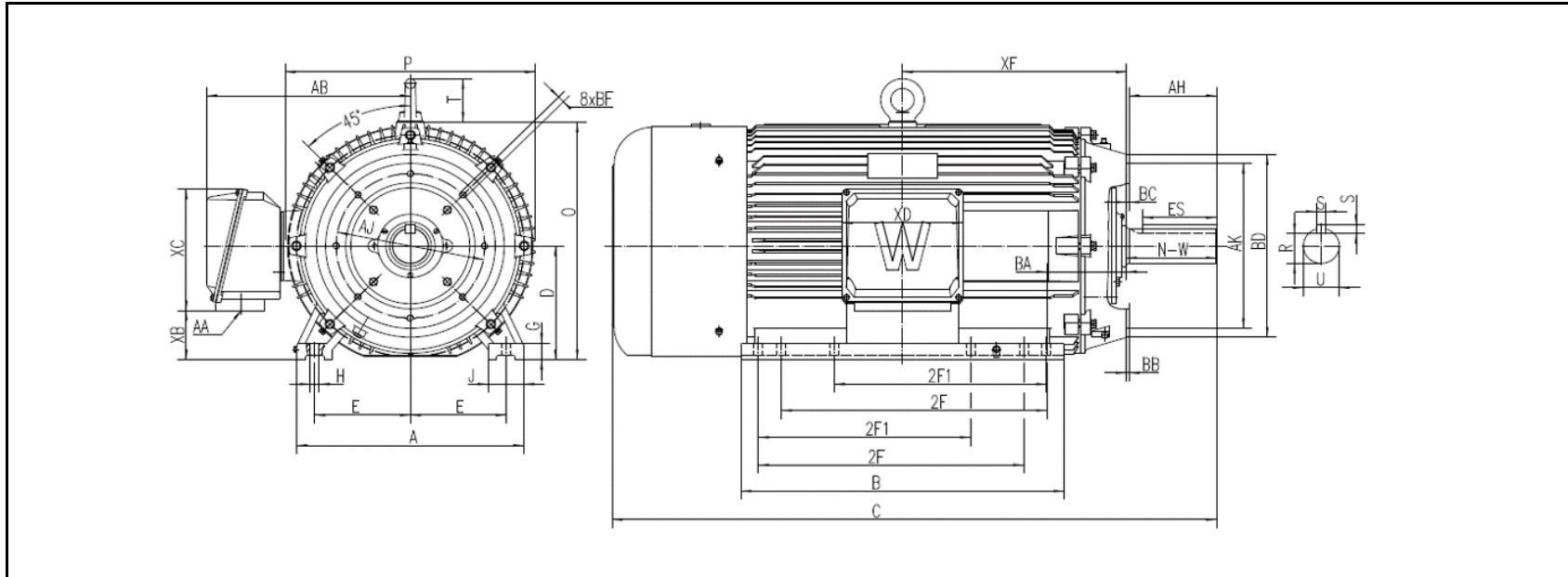
MOTOR DRAWING

Premium Efficiency Motor: **PEWWE200-12-449TC**

WorldWide Electric Corporation

1 (800) 808-2131

Worldwideelectric.net



DIMENSION - INCHES

MOUNTING					A	B	C	D	G	J	P	O	T	AB
E	2F1	2F	H	BA										
9	20	25	0.81	7.5	21.339	30.472	56.945	11	1.575	3.346	23.554	22.969	4.213	19.171

SHAFT & KEY					
S	ES	R	N-W	AH	U
0.875	6.91	2.88	8.5	8.25	3.375

TERMINAL BOX				
AA	XB	XC	XD	XF
2 X 3	4.74	11.813	11.339	21.087

FLANGE					
AJ	AK	BB	BD	BF	BC
14	16	0.25	17.717	5/8-11	0.25

PERFORMANCE CURVES

WorldWide Electric Corporation

1 (800) 808-2131

Worldwideelectric.net



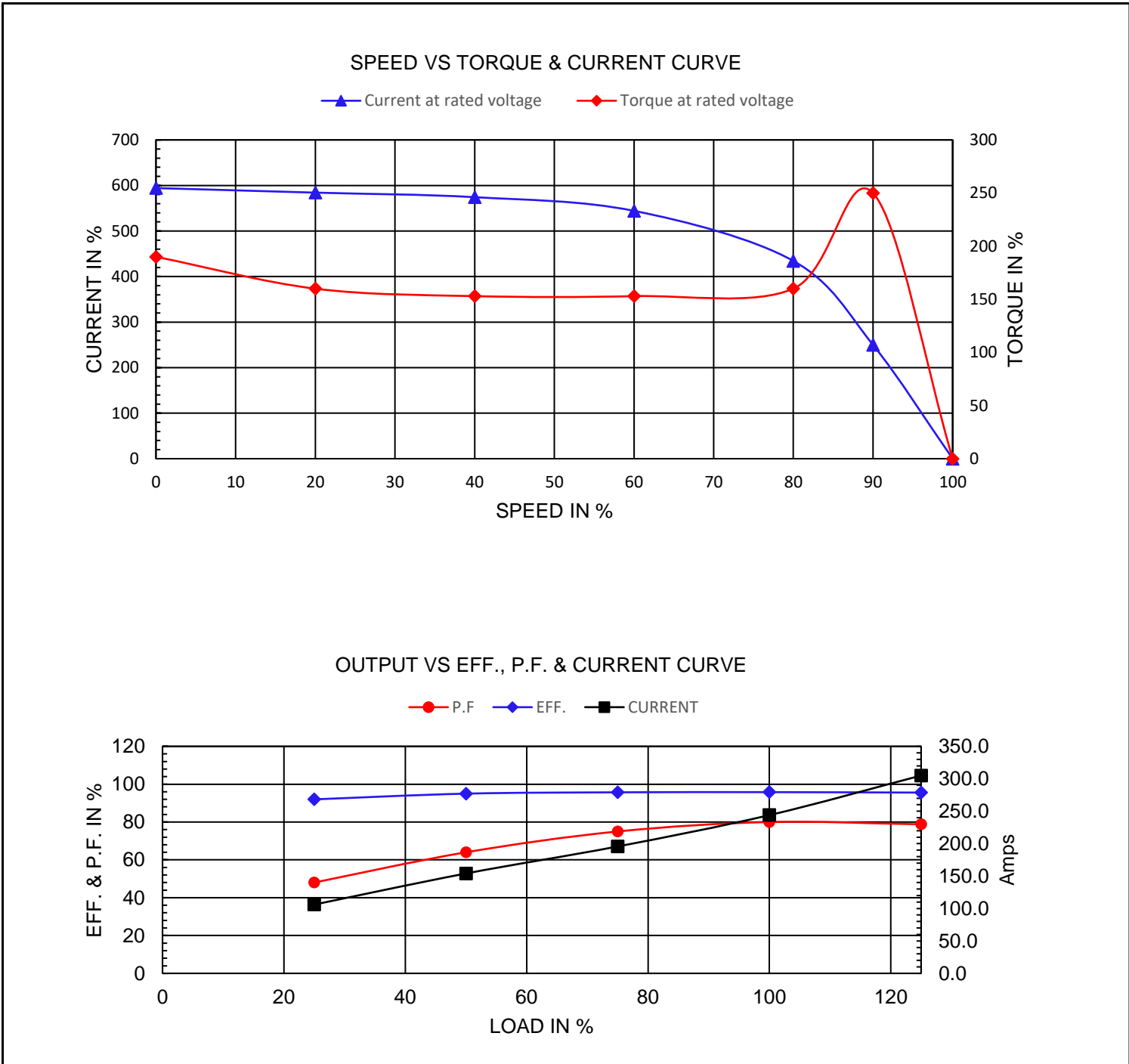
Premium Efficiency Motor:

PEWWE200-12-449TC

Document Generated: 1-Aug-2023
Document ID:

Customer:

Motor Type	PEWWE				
Output Rating (HP)	200	FL Speed	1190		
Full Load Torque	882 lb.ft	LRT (%FLT)	190	460 volt FLA	244
Rotor Wk^2	108 lb-ft^2	BDT (%FLT)	250	230 volt FLA	489



NAMEPLATE / WIRING

Premium Efficiency Motor: **PEWWE200-12-449TC**

WorldWide Electric Corporation

1 (800) 808-2131

Worldwideelectric.net



Document Generated: 1-Aug-2023
Document ID:

Customer:

SAMPLE NAMEPLATE DATA

		NEMA Premium		3-PHASE INDUCTION MOTOR		259277 		CC006A
Model			Ser No.			Low Voltage 6 4 5 7 8 9 12 10 11 1 2 3 L1 L2 L3		
HP		S.F.		IP		Encl		
Frame		P.F.		Code		Type		
Voltage	230/460	Hz		Ins Cl		Rating	°C Amb Cont	
Amps		RPM		Design		Date		
Nom.Eff.	FL	% 3/4	%	230/460V	10:1 CT	20:1 VT	PWM	VFD 1.0SF
Class I DIV. 2 Groups A B C D				Amb.40°C	DE Brng			
Class I Zone 2 IIC				Amb.55°C	ODE Brng			
				Grease type: LGHP 2 (compatible with polyrex)				
50Hz		HP	V	A	rpm	1.0SF		
WorldWide Electric Corporation								

Model	PEWWE200-12-449TC							
HP	200	S.F.	1.25	IP	IP55	Encl	TEFC	
Frame	449TC	P.F.	0.8	Code	G	Type		
Voltage	230/460 V	Hz	60 Hz	Ins Cl	F	Ambient	40°C	
Amps	489/244	RPM	1190	Design	B	DE Brng	6320 C3	
Nom.Eff.	FL	95.8%	3/4	95.7%	ODE Brng		6320 C3	
Class 1 Division 2 Groups A,B,C,D						T3(200°C)	Grease type: SKF LGHP 2	
50Hz	200 HP	200/400 V	568/284	A	990 rpm			