

DATA SHEET

Premium Efficiency Motor: **PEWWE200-18-445/7TBB**

60 Hz

WorldWide Electric Corporation

1 (800) 808-2131

Worldwideelectric.net



Document Generated: 31-Jul-2023

Document ID:

Customer:

MOTOR INFORMATION

| | |
|-------------------------|--|
| HP | 200 |
| RPM | 1800 |
| Phase | 3 |
| Frequency | 60Hz |
| Voltage | 230/460 V |
| Frame Size | 445/7T |
| Enclosure | TEFC |
| Degree of Protection | IP55 |
| Service Factor | 1.25 |
| Poles | 4 |
| Full Load Speed | 1790 |
| Insulation Class | F |
| Temp Rise | 80°C |
| NEMA Code Letter | G |
| Duty Cycle | S1 / Continuous |
| Slip | 0.55% |
| NEMA Design | B |
| Moment of Inertia | 61 lb.ft.² |
| Locked Rotor Time (Hot) | 17 seconds |
| Sound Pressure Level | 78 dB(A) |
| Number of Starts | 2 Cold/ 1 Hot |
| Max Ambient Temperature | 40°C |
| Max Elevation | 1000 m.a.s.l (3300 f.a.s.l) |
| Mounting | F1 |
| Rotation | Bi-Directional |
| Area of Classification | Class 1 Division 2 Groups A,B,C,D T3A(180°C) |
| Inverter Rating | 10:1 CT / 20:1 VT PWM Type |
| Standard | NEMA MG-1 |
| Approvals | CSA-US, CE |

EFFICIENCY/POWER FACTOR

| LOAD | EFF | P. F. |
|------|--------|-------|
| 100% | 96.2 % | 0.85 |
| 75% | 96.5 % | 0.84 |
| 50% | 96.3 % | 0.76 |

TORQUE

| FULL LOAD | LRT | BDT |
|------------|-------|-------|
| 587 lb.ft. | 180 % | 250 % |

AMPERAGE INFORMATION

| | 230V | 460V |
|-------------------|-------|-------|
| Full Load Amps | 458A | 229A |
| Locked Rotor Amps | 2900A | 1450A |
| No Load Current | 148A | 74A |
| Usable at 208V | 506A | |

BEARING INFORMATION

| | |
|-------------------------|------------|
| DE Bearing | 6319 C3 |
| ODE Bearing | 6313 C3 |
| Grease Type | SKF LGHP 2 |
| DE Regreasing Interval | 1500 Hours |
| ODE Regreasing Interval | 3000 Hours |

ADDITIONAL DATA

| | |
|--------------------|-------------------------|
| F2 Suitable | Yes |
| Shaft Material | 1045 Carbon Steel |
| Connection Diagram | 230 / 460 V - 12 Lead Δ |
| Approximate Weight | 1964 lbs. |

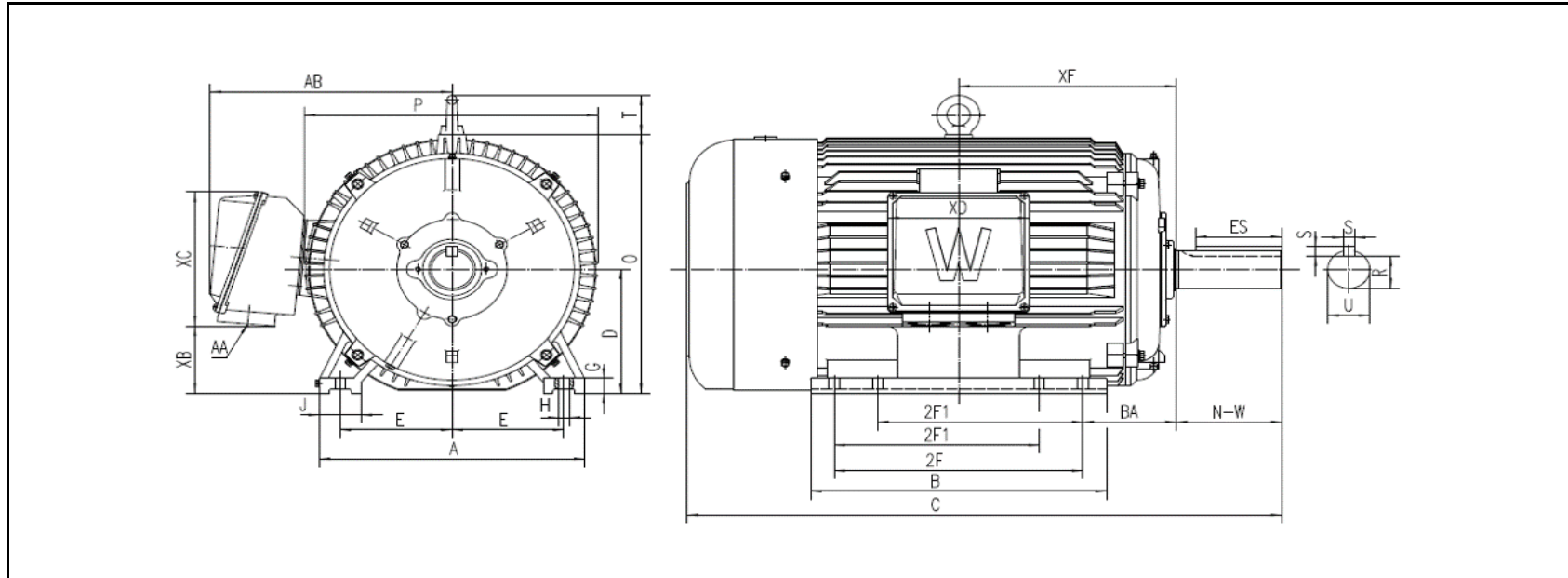
MOTOR DRAWING

Premium Efficiency Motor: **PEWWE200-18-445/7TBB**

WorldWide Electric Corporation

1 (800) 808-2131

Worldwideelectric.net



DIMENSION - INCHES

| MOUNTING | | | | | A | B | C | D | G | J | P | O | T | AB |
|----------|------|----|------|-----|--------|-------|--------|----|-------|-------|--------|--------|-------|--------|
| E | 2F1 | 2F | H | BA | | | | | | | | | | |
| 9 | 16.5 | 20 | 0.81 | 7.5 | 21.339 | 23.78 | 47.813 | 11 | 1.378 | 3.346 | 23.574 | 22.969 | 3.465 | 19.436 |

| SHAFT & KEY | | | | |
|-------------|------|------|-----|-------|
| S | ES | R | N-W | U |
| 0.875 | 6.91 | 2.88 | 8.5 | 3.375 |

| TERMINAL BOX | | | | |
|--------------|------|--------|--------|------|
| AA | XB | XC | XD | XF |
| 2 X 3 | 5.97 | 11.905 | 11.339 | 17.5 |

PERFORMANCE CURVES

WorldWide Electric Corporation

1 (800) 808-2131

Worldwideelectric.net



Premium Efficiency Motor:

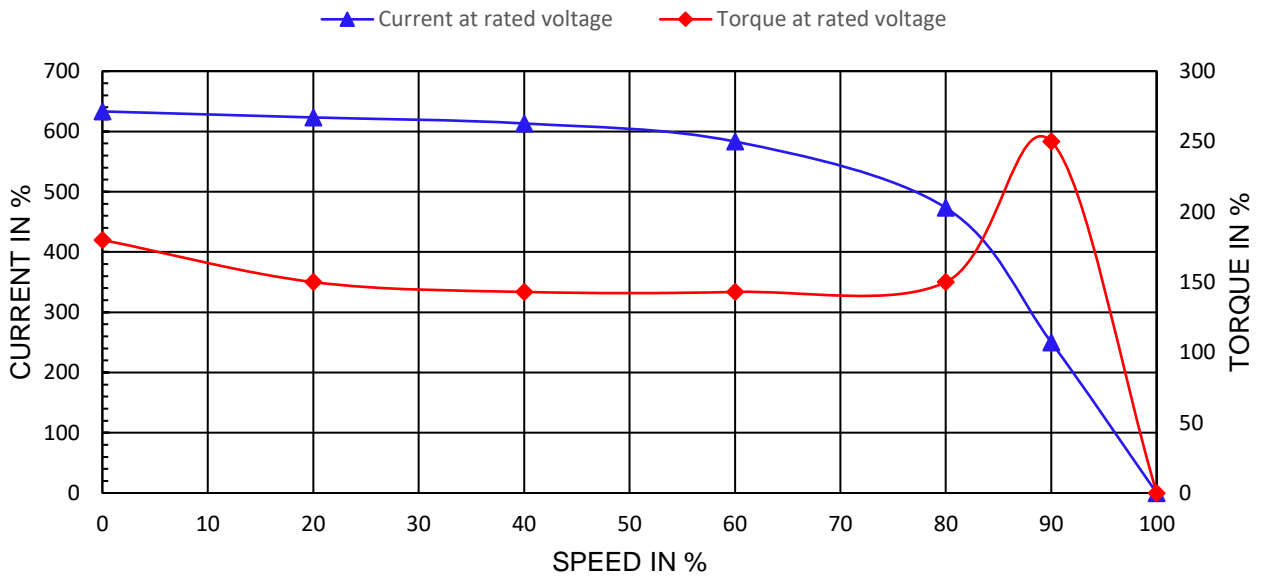
PEWWE200-18-445/7TBB

Document Generated: 31-Jul-2023
 Document ID:

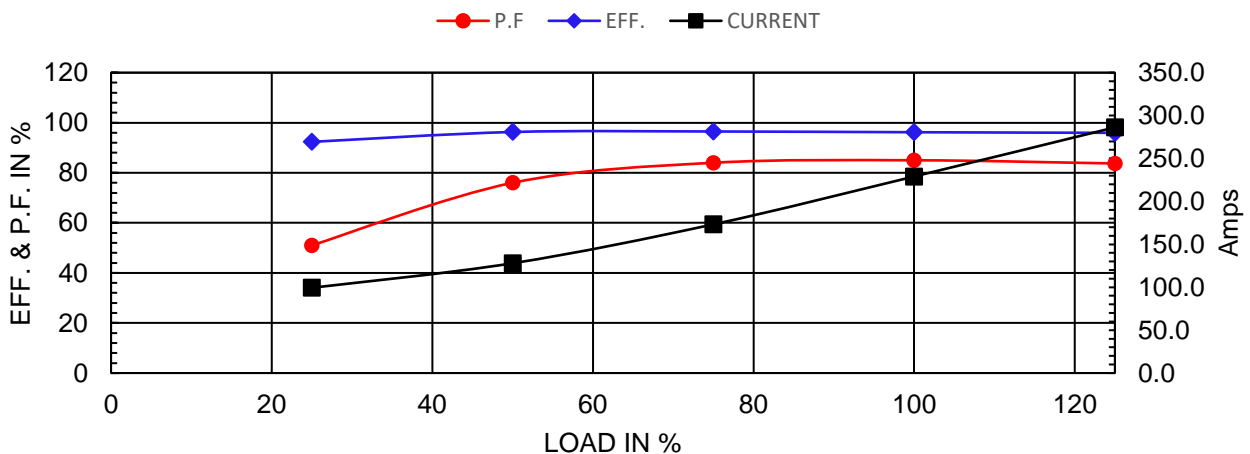
Customer:

| | | | | | |
|-----------------------|-----------------------|------------|------|--------------|-------|
| Motor Type | PEWWE | | | | |
| Output Rating (HP) | 200 | FL Speed | 1790 | | |
| Full Load Torque | 587 lb.ft | LRT (%FLT) | 180 | 460 volt FLA | 229 A |
| Rotor Wk ² | 61 lb-ft ² | BDT (%FLT) | 250 | 230 volt FLA | 458 A |

SPEED VS TORQUE & CURRENT CURVE



OUTPUT VS EFF., P.F. & CURRENT CURVE



NAMEPLATE / WIRING

WorldWide Electric Corporation

1 (800) 808-2131

Worldwideelectric.net



Premium Efficiency Motor:

PEWWE200-18-445/7TBB

Document Generated: 31-Jul-2023
Document ID:

Customer:

SAMPLE NAMEPLATE DATA

| | | | | | | | |
|---------------------------------------|---------|---------------------|------------|---|---------|------------|---------------------|
| | | NEMA Premium | | 3-PHASE INDUCTION MOTOR | | 259277 | CE CC006A |
| Model | | Ser No. | | | | | |
| HP | | S.F. | | IP | | Encl | |
| Frame | | P.F. | | Code | | Type | |
| Voltage | 230/460 | Hz | | Ins Cl | | Rating | °C Amb Cont |
| Amps | | RPM | | Design | | Date | |
| Nom.Eff. | FL | % 3/4 | % 230/460V | 10:1 CT | 20:1 VT | PWM | VFD 1.0SF |
| Class I DIV. 2 Groups A B C D | | | Amb.40°C | DE Brng | | | |
| Class I Zone 2 IIC | | | Amb.55°C | ODE Brng | | | |
| | | | | Grease type: LGHP 2 (compatible with polyrex) | | | |
| 50Hz | | HP | V | A | rpm | 1.0SF | |
| WorldWide Electric Corporation | | | | | | | |

Model

HP S.F. IP Encl

Frame P.F. Code Type

Voltage Hz Ins Cl Ambient

Amps RPM Design DE Brng 6319 C3

Nom.Eff. ODE Brng 6313 C3

Grease type: SKF LGHP 2