

DATA SHEET

Premium Efficiency Motor: **PEWWE200-36-445/7TS**

60 Hz

WorldWide Electric Corporation

1 (800) 808-2131

Worldwideelectric.net



Document Generated: 26-Mar-2024
Document ID:

Customer:

MOTOR INFORMATION	
HP	200
RPM	3600
Phase	3
Frequency	60Hz
Voltage	230/460 V
Frame Size	445/7TS
Enclosure	TEFC
Degree of Protection	IP55
Service Factor	1.25
Poles	2
Full Load Speed	3575
Insulation Class	F
Temp Rise	80°C
NEMA Code Letter	G
Duty Cycle	S1 / Continuous
Slip	0.69%
NEMA Design	B
Moment of Inertia	32.7 lb.ft.^2
Locked Rotor Time (Hot)	15 seconds
Sound Pressure Level	87 dB(A)
Number of Starts	2 Cold/ 1 Hot
Max Ambient Temperature	40°C
Max Elevation	1000 m.a.s.l (3300 f.a.s.l)
Mounting	F1
Rotation	Bi-Directional
Area of Classification	Class 1 Division 2 Groups A,B,C,D T3A(180°C)
Inverter Rating	10:1 CT / 20:1 VT PWM Type
Standard	NEMA MG-1
Approvals	CSA-US, CE

EFFICIENCY/POWER FACTOR		
LOAD	EFF	P. F.
100%	95.4 %	0.91
75%	95.5 %	0.91
50%	95.0 %	0.88

TORQUE		
FULL LOAD	LRT	BDT
294 lb.ft.	160 %	230 %

AMPERAGE INFORMATION		
	230V	460V
Full Load Amps	431A	216A
Locked Rotor Amps	2900A	1450A
No Load Current	70A	35A
Usable at 208V	477A	

BEARING INFORMATION	
DE Bearing	6313 C3
ODE Bearing	6313 C3
Grease Type	SKF LGHP 2
DE Regreasing Interval	1800 Hours
ODE Regreasing Interval	1800 Hours

ADDITIONAL DATA	
F2 Suitable	Yes
Shaft Material	1045 Carbon Steel
Connection Diagram	230 / 460 V - 12 Lead Δ
Approximate Weight	1787 lbs.

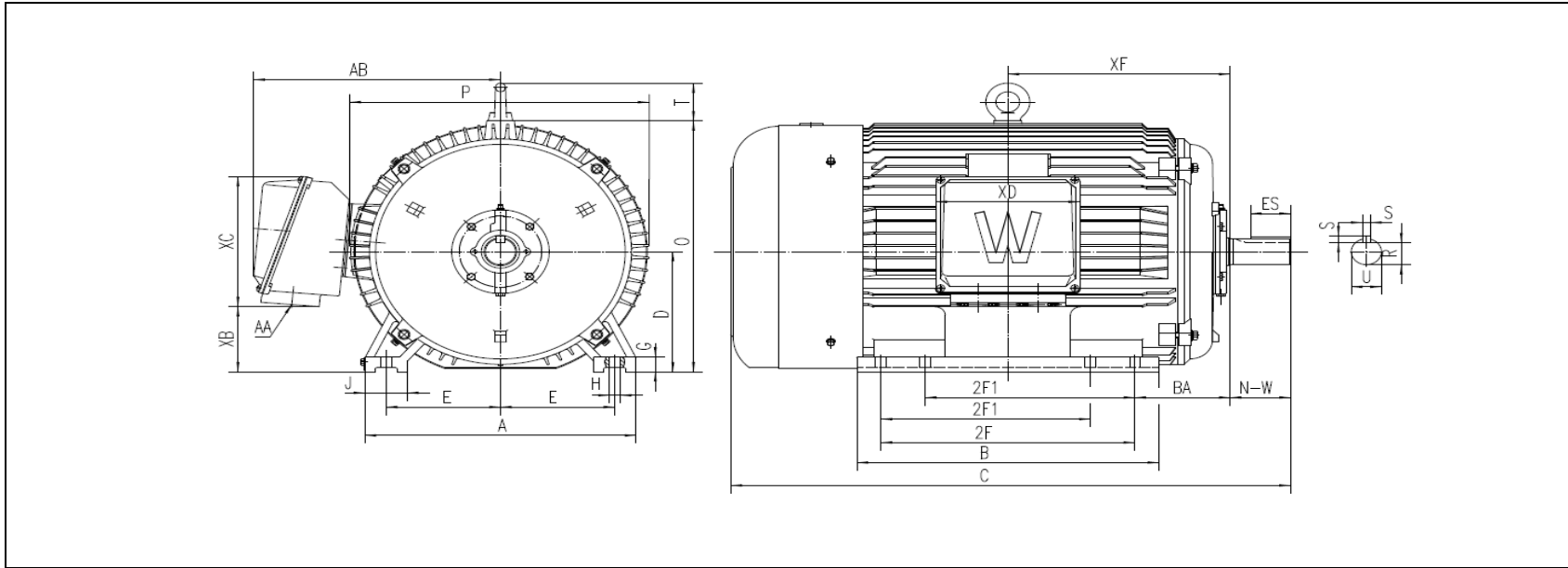
MOTOR DRAWING

Premium Efficiency Motor: **PEWWE200-36-445/7TS**

WorldWide Electric Corporation

1 (800) 808-2131

Worldwideelectric.net



DIMENSION - INCHES

MOUNTING					A	B	C	D	G	J	P	O	T	AB
E	2F1	2F	H	BA										
9	16.5	20	0.81	7.5	21.339	23.78	44.057	11	1.378	3.346	23.574	22.969	3.465	19.436

SHAFT & KEY				
S	ES	R	N-W	U
0.625	3.03	2.021	4.75	2.375

TERMINAL BOX				
AA	XB	XC	XD	XF
2 X 3	5.97	11.905	11.339	17.5

PERFORMANCE CURVES

Premium Efficiency Motor:

PEWWE200-36-445/7TS

WorldWide Electric Corporation

1 (800) 808-2131

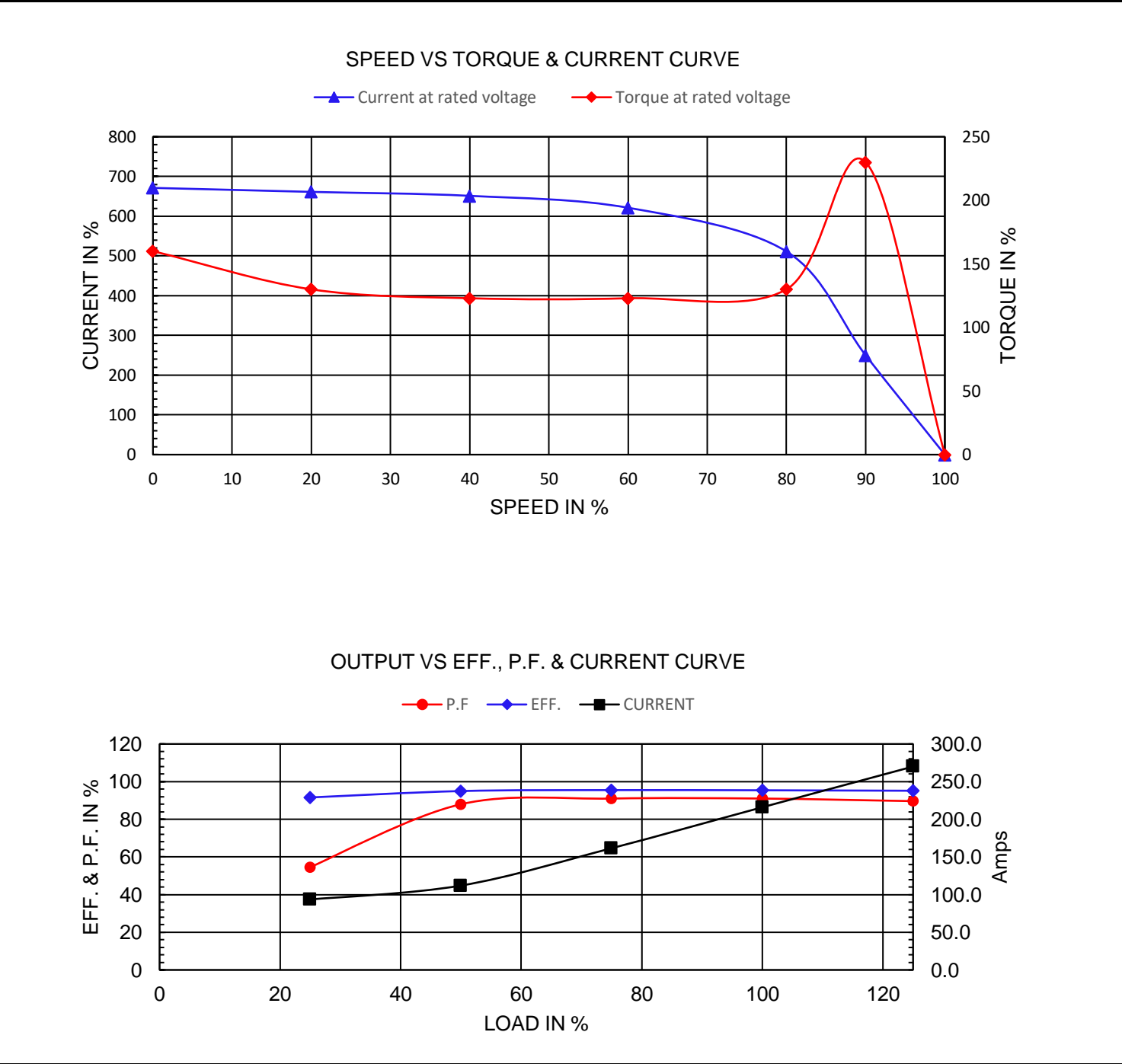
Worldwideelectric.net



Document Generated: 26-Mar-2024
Document ID:

Customer:

Motor Type	PEWWE				
Output Rating (HP)	200	FL Speed	3575		
Full Load Torque	294 lb.ft	LRT (%FLT)	160	460 volt FLA	216 A
Rotor Wk ²	32.7 lb-ft ²	BDT (%FLT)	230	230 volt FLA	431 A



NAMEPLATE / WIRING

WorldWide Electric Corporation

1 (800) 808-2131

Worldwideelectric.net



Premium Efficiency Motor:

PEWWE200-36-445/7TS

Document Generated: 26-Mar-2024
Document ID:

Customer:

SAMPLE NAMEPLATE DATA

		NEMA Premium		3-PHASE INDUCTION MOTOR		259277 		CC006A
Model				Ser No.				Low Voltage
HP	S.F.	IP	Encl					6 4 5 7 8 9 12 10 11 1 2 3 L1 L2 L3
Frame	P.F.	Code	Type					High Voltage
Voltage	230/460	Hz	Ins Cl	Rating	°C Amb Cont			4 5 6 7 8 9 12 10 11 1 2 3 L1 L2 L3
Amps	RPM	Design	Date					
Nom.Eff.	FL	% 3/4	% 230/460V	10:1 CT	20:1 VT	PWM	VFD	1.0SF
Class I DIV. 2 Groups A B C D		Amb.40°C	DE Brng					
Class I Zone 2 IIC		Amb.55°C	ODE Brng					
			Grease type: LGHP 2 (compatible with polyrex)					
50Hz		HP	V	A	rpm	1.0SF		
WorldWide Electric Corporation								

Model	PEWWE200-36-445/7TS							
HP	200	S.F.	1.25	IP	IP55	Encl	TEFC	
Frame	445/7TS	P.F.	0.91	Code	G	Type		
Voltage	230/460 V	Hz	60Hz	Ins Cl	F	Ambient	40°C	
Amps	431/216	RPM	3575	Design	B	DE Brng 6313 C3		
Nom.Eff.	FL	95.4%	3/4	95.5%	ODE Brng 6313 C3			
Class 1 Division 2 Groups A,B,C,D					T3A(180°C)	Grease type: SKF LGHP 2		
50Hz	200 HP	200/400 V	499/250	A	2975 rpm			