

DATA SHEET

Premium Efficiency Motor: **PEWWE25-12-324T**

60 Hz

WorldWide Electric Corporation

1 (800) 808-2131

Worldwideelectric.net



Document Generated: 31-Jul-2023

Document ID:

Customer:

MOTOR INFORMATION

HP	25
RPM	1200
Phase	3
Frequency	60Hz
Voltage	230/460 V
Frame Size	324T
Enclosure	TEFC
Degree of Protection	IP55
Service Factor	1.25
Poles	6
Full Load Speed	1185
Insulation Class	F
Temp Rise	80°C
NEMA Code Letter	G
Duty Cycle	S1 / Continuous
Slip	1.25%
NEMA Design	B
Moment of Inertia	7.31 lb.ft.^2
Locked Rotor Time (Hot)	15 seconds
Sound Pressure Level	70 dB(A)
Number of Starts	2 Cold/ 1 Hot
Max Ambient Temperature	40°C
Max Elevation	1000 m.a.s.l (3300 f.a.s.l)
Mounting	F1
Rotation	Bi-Directional
Area of Classification	Class 1 Division 2 Groups A,B,C,D T3C(160°C)
Inverter Rating	10:1 CT / 20:1 VT PWM Type
Standard	NEMA MG-1
Approvals	CSA-US, CE

EFFICIENCY/POWER FACTOR

LOAD	EFF	P. F.
100%	93.0 %	0.77
75%	93.4 %	0.72
50%	92.9 %	0.61

TORQUE

FULL LOAD	LRT	BDT
111 lb.ft.	160 %	210 %

AMPERAGE INFORMATION

	230V	460V
Full Load Amps	65.4A	32.7A
Locked Rotor Amps	365A	182.5A
No Load Current	31A	15.5A
Usable at 208V	72.3A	

BEARING INFORMATION

DE Bearing	6312 C3
ODE Bearing	6311 C3
Grease Type	SKF LGHP 2
DE Regreasing Interval	6000 Hours
ODE Regreasing Interval	6000 Hours

ADDITIONAL DATA

F2 Suitable	Yes
Shaft Material	1045 Carbon Steel
Connection Diagram	230 / 460 V - 12 Lead Δ
Approximate Weight	481 lbs.

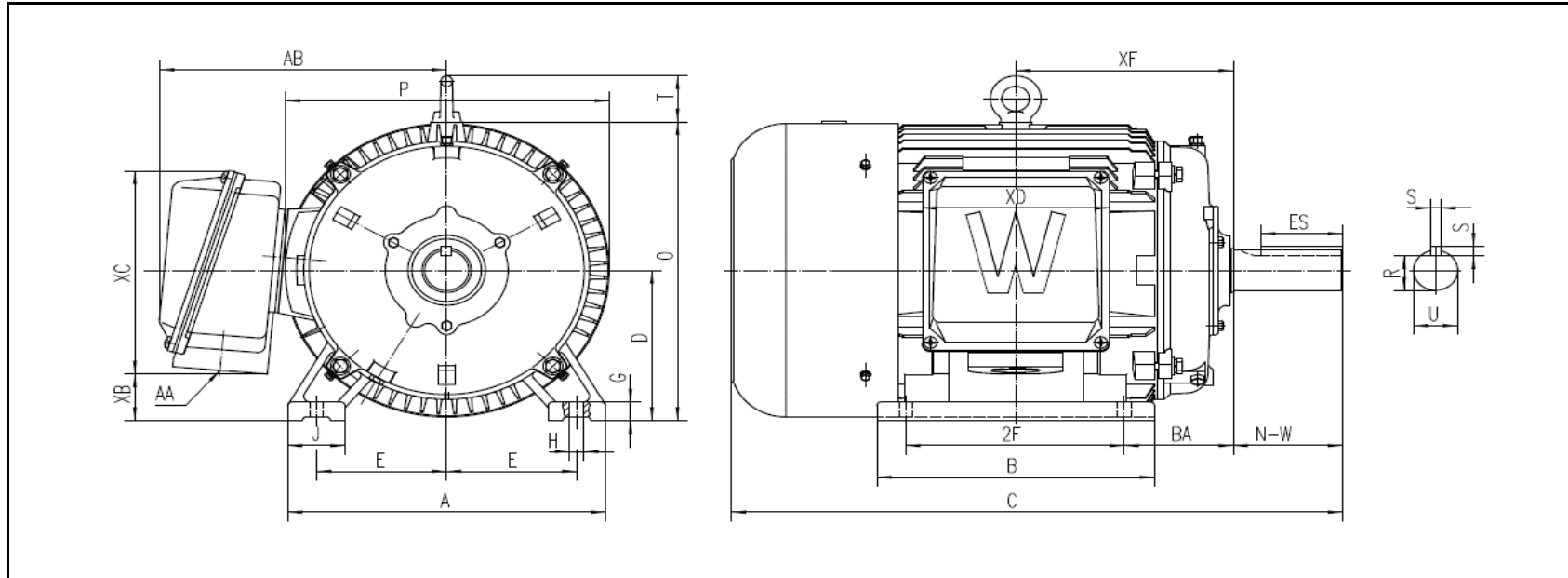
MOTOR DRAWING

Premium Efficiency Motor: **PEWWE25-12-324T**

WorldWide Electric Corporation

1 (800) 808-2131

Worldwideelectric.net



DIMENSION - INCHES

MOUNTING					A	B	C	D	G	J	P	O	T	AB
E	2F1	2F	H	BA										
6.25	--	10.5	0.66	5.25	15.276	13.346	29.392	8	0.984	2.756	15.751	15.913	2.441	13.813

SHAFT & KEY				
S	ES	R	N-W	U
0.5	3.91	1.845	5.25	2.125

TERMINAL BOX				
AA	XB	XC	XD	XF
2	2.471	10.826	8.976	10.461

PERFORMANCE CURVES

WorldWide Electric Corporation

1 (800) 808-2131

Worldwideelectric.net



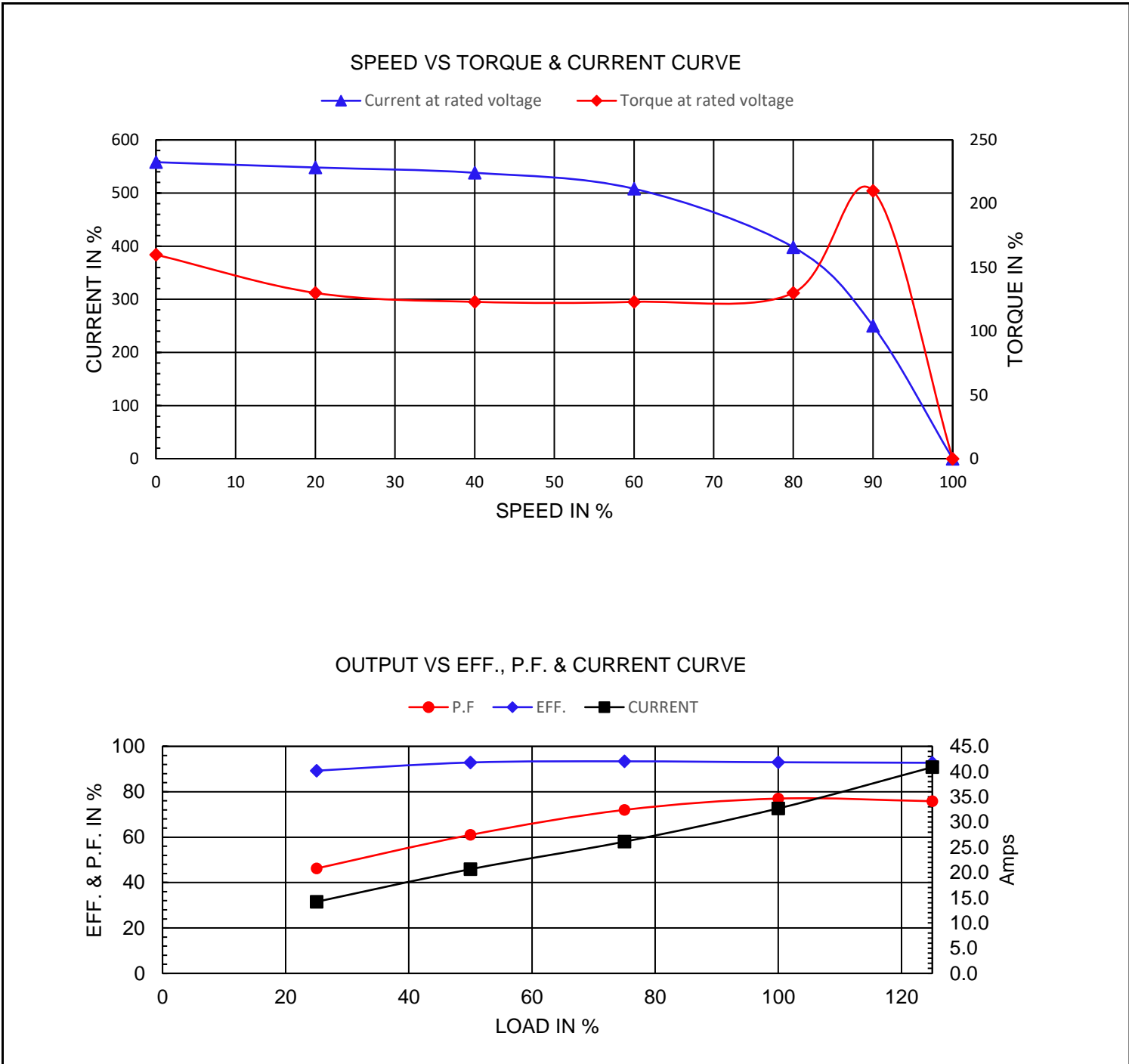
Premium Efficiency Motor:

PEWWE25-12-324T

Document Generated: 31-Jul-2023
 Document ID:

Customer:

Motor Type	PEWWE		FL Speed	1185		
Output Rating (HP)	25		LRT (%FLT)	160	460 volt FLA	32.7 A
Full Load Torque	111 lb.ft		BDT (%FLT)	210	230 volt FLA	65.4 A
Rotor Wk ²	7.31 lb-ft ²					



NAMEPLATE / WIRING

WorldWide Electric Corporation

1 (800) 808-2131

Worldwideelectric.net



Premium Efficiency Motor:

PEWWE25-12-324T

Document Generated: 31-Jul-2023
Document ID:

Customer:

SAMPLE NAMEPLATE DATA

		NEMA Premium		3-PHASE INDUCTION MOTOR		259277		CE															
Model		Ser No.				<table border="1"> <tr><td>6</td><td>4</td><td>5</td></tr> <tr><td>7</td><td>8</td><td>9</td></tr> <tr><td>12</td><td>10</td><td>11</td></tr> <tr><td>1</td><td>2</td><td>3</td></tr> <tr><td>L1</td><td>L2</td><td>L3</td></tr> </table>			6	4	5	7	8	9	12	10	11	1	2	3	L1	L2	L3
6	4	5																					
7	8	9																					
12	10	11																					
1	2	3																					
L1	L2	L3																					
HP	S.F.	IP	Encl																				
Frame	P.F.	Code	Type																				
Voltage	230/460	Hz	Ins Cl	Rating	°C Amb Cont																		
Amps		RPM	Design	Date																			
Nom.Eff.	FL	% 3/4	% 230/460 V	10:1 CT	20:1 VT	PWM	VFD	1.0SF															
Class I DIV. 2 Groups A B C D		Amb.40°C	DE Brng																				
Class I Zone 2 IIC		Amb.55°C	ODE Brng																				
			Grease type: LGHP 2 (compatible with polyrex)																				
50Hz		HP	V	A	rpm	1.0SF																	
		WorldWide Electric Corporation																					

Model

HP S.F. IP Encl

Frame P.F. Code Type

Voltage Hz Ins Cl Ambient

Amps RPM Design DE Brng 6312 C3

Nom.Eff. ODE Brng 6311 C3

Grease type: SKF LGHP 2