

# DATA SHEET

Premium Efficiency Motor: **PEWWE25-12-324TC**

**60 Hz**

WorldWide Electric Corporation

1 (800) 808-2131

Worldwideelectric.net



Document Generated: 1-Aug-2023  
Document ID:

Customer:

MOTOR INFORMATION	
HP	25
RPM	1200
Phase	3
Frequency	60Hz
Voltage	230/460 V
Frame Size	324TC
Enclosure	TEFC
Degree of Protection	IP55
Service Factor	1.25
Poles	6
Full Load Speed	1185
Insulation Class	F
Temp Rise	80°C
NEMA Code Letter	G
Duty Cycle	S1 / Continuous
Slip	1.25%
NEMA Design	B
Moment of Inertia	7.31 lb.ft.^2
Locked Rotor Time (Hot)	15 seconds
Sound Pressure Level	70 dB(A)
Number of Starts	2 Cold/ 1 Hot
Max Ambient Temperature	40°C
Max Elevation	1000 m.a.s.l (3300 f.a.s.l)
Mounting	F1
Rotation	Bi-Directional
Area of Classification	Class 1 Division 2 Groups A,B,C,D T3C(160°C)
Inverter Rating	10:1 CT / 20:1 VT PWM Type
Standard	NEMA MG-1
Approvals	CSA-US, CE

EFFICIENCY/POWER FACTOR		
LOAD	EFF	P. F.
100%	93.0 %	0.77
75%	93.4 %	0.72
50%	92.9 %	0.61

TORQUE		
FULL LOAD	LRT	BDT
111 lb.ft.	160 %	210 %

AMPERAGE INFORMATION		
	230V	460V
Full Load Amps	65.4A	32.7A
Locked Rotor Amps	365A	182.5A
No Load Current	31A	15.5A
Usable at 208V	72.3A	

BEARING INFORMATION	
DE Bearing	6312 C3
ODE Bearing	6311 C3
Grease Type	SKF LGHP 2
DE Regreasing Interval	6000 Hours
ODE Regreasing Interval	6000 Hours

ADDITIONAL DATA	
F2 Suitable	Yes
Shaft Material	1045 Carbon Steel
Connection Diagram	230 / 460 V - 12 Lead Δ
Approximate Weight	481 lbs.

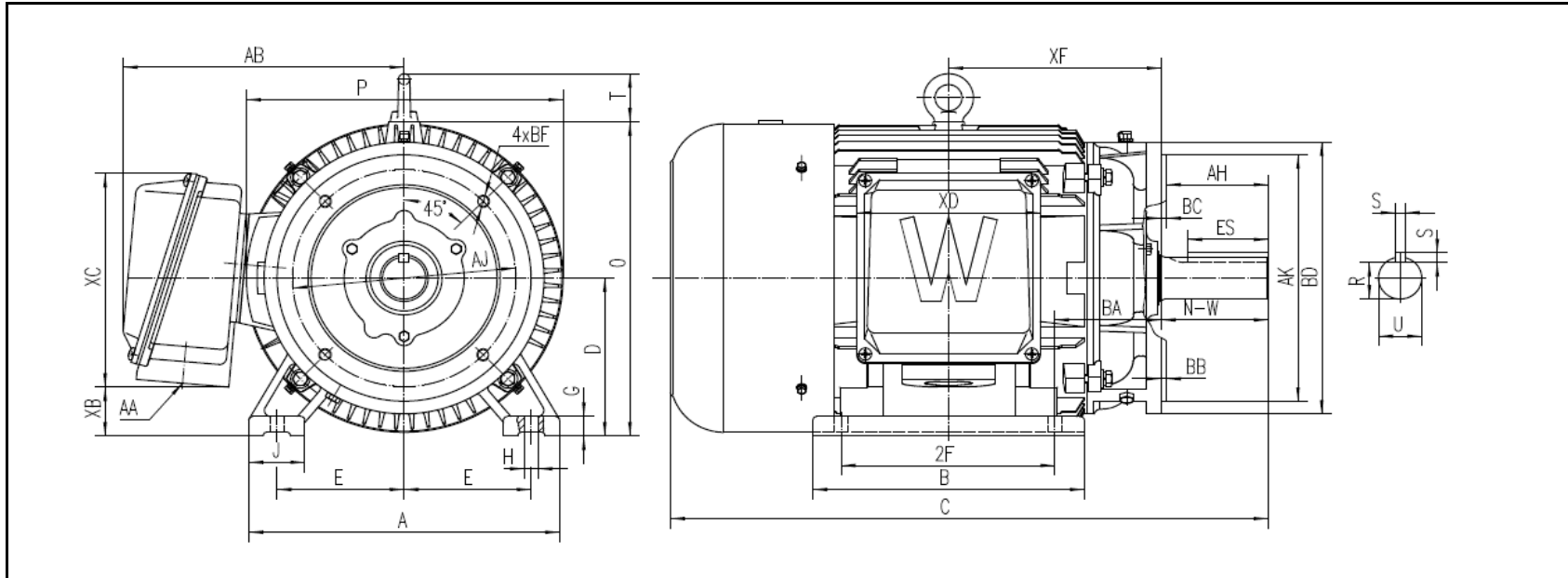
# MOTOR DRAWING

Premium Efficiency Motor: **PEWWE25-12-324TC**

WorldWide Electric Corporation

1 (800) 808-2131

Worldwideelectric.net



## DIMENSION - INCHES

MOUNTING					A	B	C	D	G	J	P	O	T	AB
E	2F1	2F	H	BA										
6.25	--	10.5	0.66	5.25	15.276	13.346	29.392	8	0.984	2.756	15.751	15.913	2.441	13.813

SHAFT & KEY					
S	ES	R	N-W	AH	U
0.5	3.91	1.845	5.25	5	2.125

TERMINAL BOX				
AA	XB	XC	XD	XF
2	2.471	10.826	8.976	10.461

FLANGE					
AJ	AK	BB	BD	BF	BC
11	12.5	0.25	13.78	5/8-11	0.25

# PERFORMANCE CURVES

WorldWide Electric Corporation

1 (800) 808-2131

Worldwideelectric.net



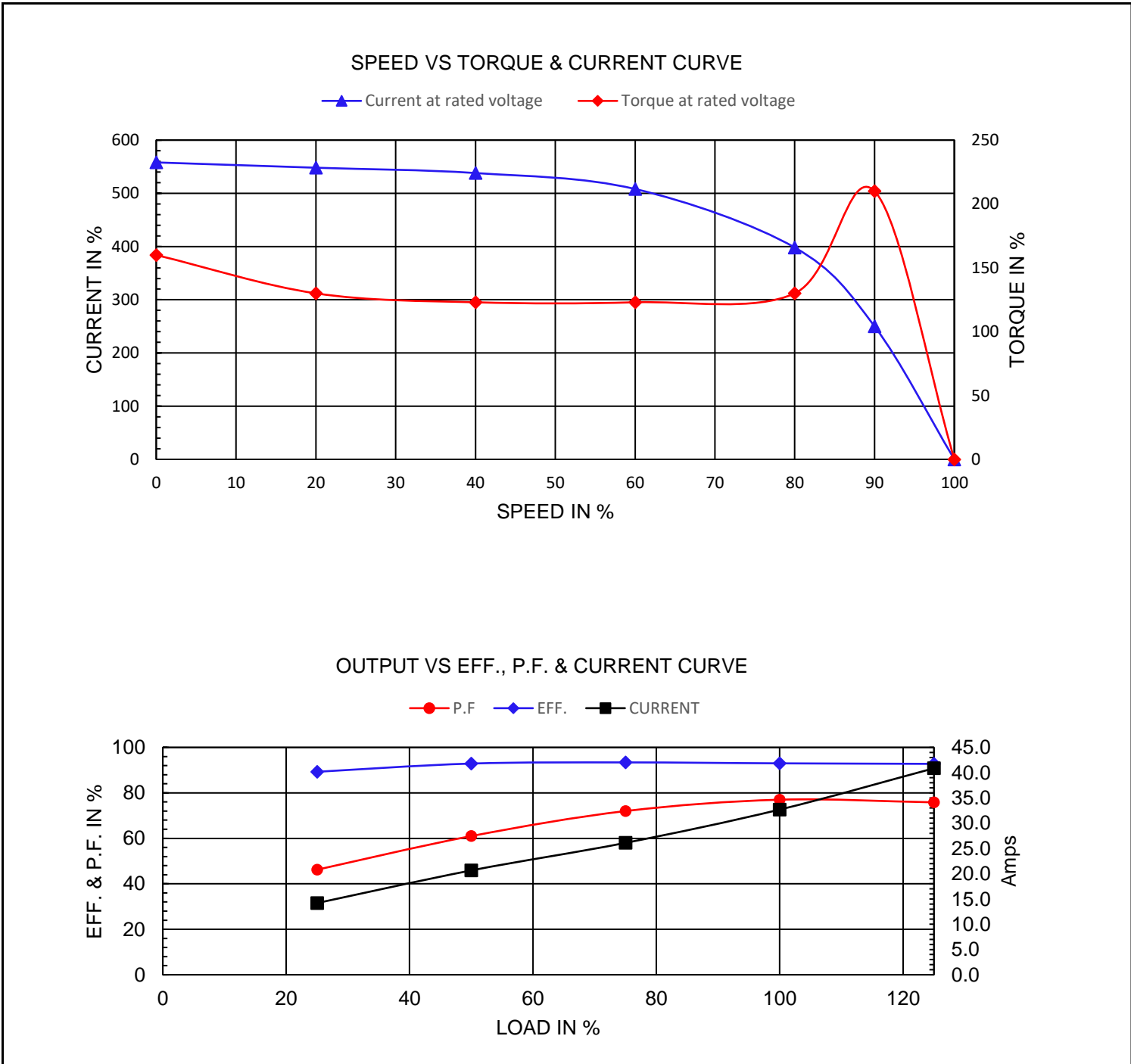
Premium Efficiency Motor:

**PEWWE25-12-324TC**

Document Generated: 1-Aug-2023  
 Document ID:

Customer:

Motor Type	PEWWE		FL Speed	1185	
Output Rating (HP)	25		LRT (%FLT)	160	460 volt FLA 32.7
Full Load Torque	111	lb.ft	BDT (%FLT)	210	230 volt FLA 65.4
Rotor Wk <sup>2</sup>	7.31	lb-ft <sup>2</sup>			



# NAMEPLATE / WIRING

Premium Efficiency Motor: **PEWWE25-12-324TC**

WorldWide Electric Corporation

1 (800) 808-2131

Worldwideelectric.net



Document Generated: 1-Aug-2023  
Document ID:

Customer:

## SAMPLE NAMEPLATE DATA

		<b>NEMA Premium</b>		<b>3-PHASE INDUCTION MOTOR</b>		259277 	<b>CE</b> CC006A
Model	<input type="text"/>	Ser No.	<input type="text"/>				
HP	<input type="text"/>	S.F.	<input type="text"/>	IP	<input type="text"/>	Encl	<input type="text"/>
Frame	<input type="text"/>	P.F.	<input type="text"/>	Code	<input type="text"/>	Type	<input type="text"/>
Voltage	<input type="text"/>	Hz	<input type="text"/>	Ins Cl	<input type="text"/>	Rating	<input type="text"/>
Amps	<input type="text"/>	RPM	<input type="text"/>	Design	<input type="text"/>	Date	<input type="text"/>
Nom. Eff.	<input type="text"/>	FL	<input type="text"/>	% 3/4	<input type="text"/>	% 230/460 V	10:1 CT 20:1 VT PWM VFD 1.0SF
Class I DIV. 2 Groups A B C D		Amb.40°C	DE Brng				
Class I Zone 2 II C		Amb.55°C	ODE Brng				
			Grease type: LGHP 2 (compatible with polyrex)				
50Hz		HP	V	A	rpm	1.0SF	

Model	<input type="text" value="PEWWE25-12-324TC"/>						
HP	<input type="text" value="25"/>	S.F.	<input type="text" value="1.25"/>	IP	<input type="text" value="IP55"/>	Encl	<input type="text" value="TEFC"/>
Frame	<input type="text" value="324TC"/>	P.F.	<input type="text" value="0.77"/>	Code	<input type="text" value="G"/>	Type	
Voltage	<input type="text" value="230/460 V"/>	Hz	<input type="text" value="60Hz"/>	Ins Cl	<input type="text" value="F"/>	Ambient	<input type="text" value="40°C"/>
Amps	<input type="text" value="65.4/32.7"/>	RPM	<input type="text" value="1185"/>	Design	<input type="text" value="B"/>	DE Brng	<input type="text" value="6312 C3"/>
Nom. Eff.	<input type="text" value="FL"/>	<input type="text" value="93.0%"/>	<input type="text" value="3/4"/>	<input type="text" value="93.4%"/>		ODE Brng	<input type="text" value="6311 C3"/>
Class 1 Division 2 Groups A,B,C,D						T3C(160°C)	Grease type: SKF LGHP 2
50Hz	25 HP	200/400 V	77.3/38.7 A	985 rpm			