

DATA SHEET

Premium Efficiency Motor: **PEWWE25-18-284TC**

60 Hz

WorldWide Electric Corporation

1 (800) 808-2131

Worldwideelectric.net



Document Generated: 1-Aug-2023
Document ID:

Customer:

MOTOR INFORMATION	
HP	25
RPM	1800
Phase	3
Frequency	60 Hz
Voltage	230/460 V
Frame Size	284TC
Enclosure	TEFC
Degree of Protection	IP55
Service Factor	1.25
Poles	4
Full Load Speed	1770
Insulation Class	F
Temp Rise	80°C
NEMA Code Letter	G
Duty Cycle	S1 / Continuous
Slip	1.67%
NEMA Design	B
Moment of Inertia	3.07 lb.ft.^2
Locked Rotor Time (Hot)	15 seconds
Sound Pressure Level	70 dB(A)
Number of Starts	2 Cold/ 1 Hot
Max Ambient Temperature	40°C
Max Elevation	1000 m.a.s.l (3300 f.a.s.l)
Mounting	F1
Rotation	Bi-Directional
Area of Classification	Class 1 Division 2 Groups A,B,C,D T3C(160°C)
Inverter Rating	10:1 CT / 20:1 VT PWM Type
Standard	NEMA MG-1
Approvals	CSA-US, CE

EFFICIENCY/POWER FACTOR		
LOAD	EFF	P. F.
100%	93.6 %	0.85
75%	93.9 %	0.82
50%	93.3 %	0.73

TORQUE		
FULL LOAD	LRT	BDT
74.2 lb.ft.	160 %	240 %

AMPERAGE INFORMATION		
	230V	460V
Full Load Amps	58.8A	29.4A
Locked Rotor Amps	365A	182.5A
No Load Current	21.2A	10.6A
Usable at 208V	65.1A	

BEARING INFORMATION	
DE Bearing	6311 C3
ODE Bearing	6309 C3
Grease Type	SKF LGHP 2
DE Regreasing Interval	4000 Hours
ODE Regreasing Interval	5000 Hours

ADDITIONAL DATA	
F2 Suitable	Yes
Shaft Material	1045 Carbon Steel
Connection Diagram	230 / 460 V - 12 Lead Δ
Approximate Weight	367 lbs.

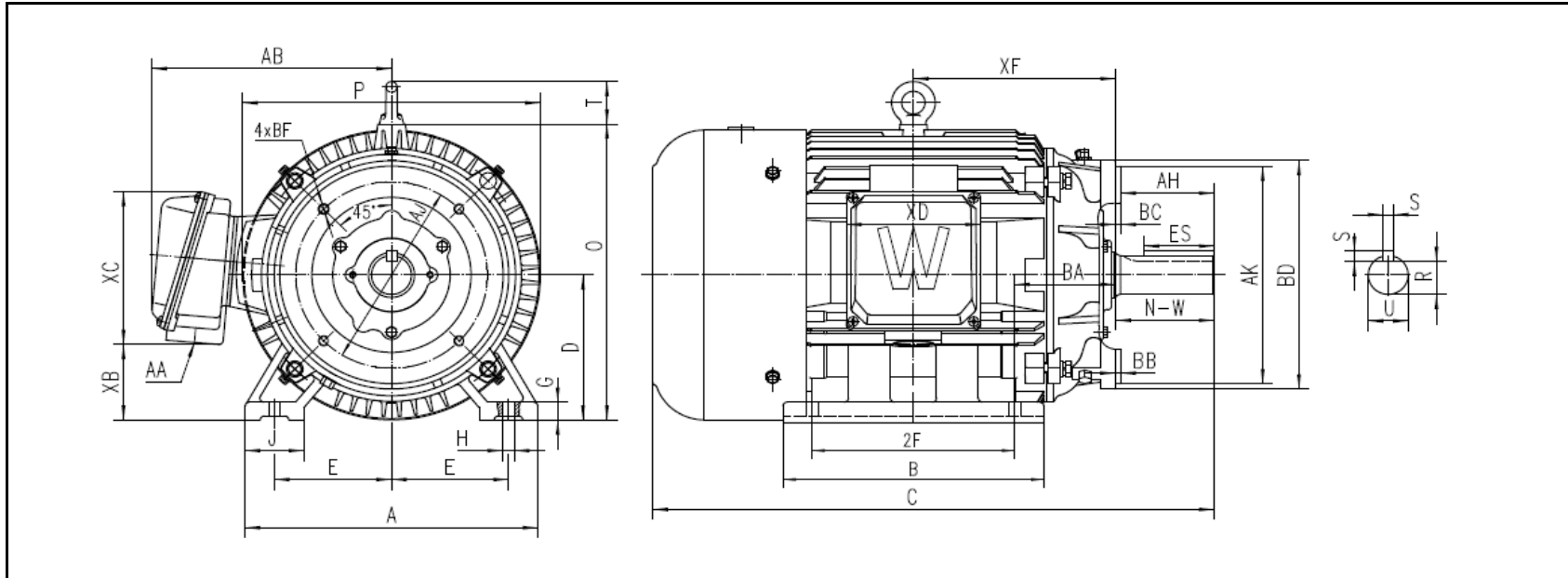
MOTOR DRAWING

Premium Efficiency Motor: **PEWWE25-18-284TC**

WorldWide Electric Corporation

1 (800) 808-2131

Worldwideelectric.net



DIMENSION - INCHES

MOUNTING					A	B	C	D	G	J	P	O	T	AB
E	2F1	2F	H	BA										
5.5	--	9.5	0.53	4.75	13.74	12.244	26.362	7	0.866	2.756	13.976	14.283	2.047	11.239

SHAFT & KEY					
S	ES	R	N-W	AH	U
0.5	3.28	1.591	4.62	4.38	1.875

TERMINAL BOX				
AA	XB	XC	XD	XF
1.5	3.645	7.381	6.299	9.5

FLANGE					
AJ	AK	BB	BD	BF	BC
9	10.5	0.25	11.024	1/2-13	0.25

PERFORMANCE CURVES

WorldWide Electric Corporation

1 (800) 808-2131

Worldwideelectric.net



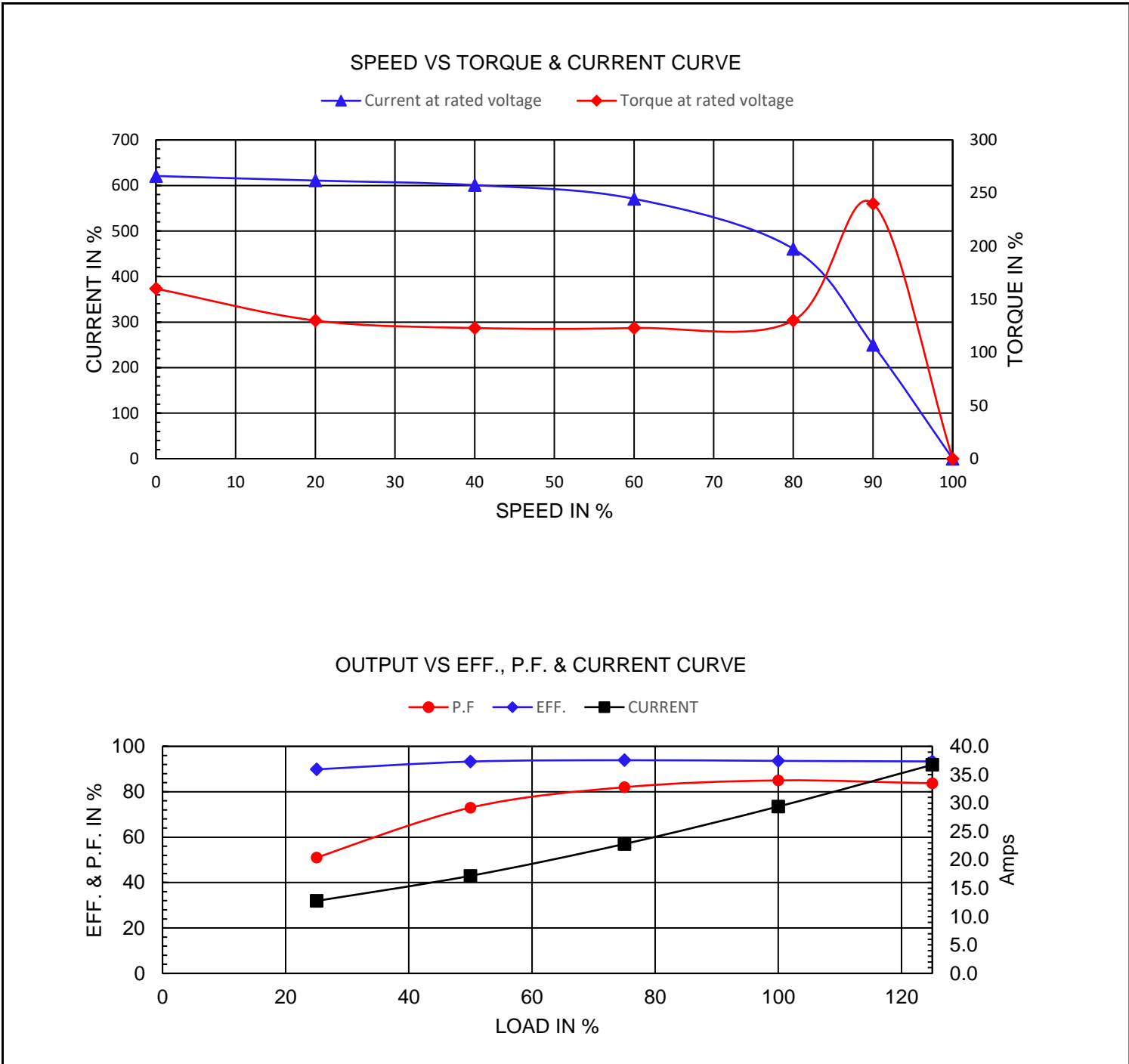
Premium Efficiency Motor:

PEWWE25-18-284TC

Document Generated: 1-Aug-2023
 Document ID:

Customer:

Motor Type	PEWWE		FL Speed	1770	
Output Rating (HP)	25		LRT (%FLT)	160	460 volt FLA 29.4
Full Load Torque	74.2	lb.ft	BDT (%FLT)	240	230 volt FLA 58.8
Rotor Wk ²	3.07	lb-ft ²			



NAMEPLATE / WIRING

Premium Efficiency Motor: **PEWWE25-18-284TC**

WorldWide Electric Corporation

1 (800) 808-2131

Worldwideelectric.net



Document Generated: 1-Aug-2023
Document ID:

Customer:

SAMPLE NAMEPLATE DATA

		NEMA Premium		3-PHASE INDUCTION MOTOR		259277		CE	CC006A															
Model				Ser No.				<table border="1"> <tr><td>6</td><td>4</td><td>5</td></tr> <tr><td>7</td><td>8</td><td>9</td></tr> <tr><td>12</td><td>10</td><td>11</td></tr> <tr><td>1</td><td>2</td><td>3</td></tr> <tr><td>L1</td><td>L2</td><td>L3</td></tr> </table>		6	4	5	7	8	9	12	10	11	1	2	3	L1	L2	L3
6	4	5																						
7	8	9																						
12	10	11																						
1	2	3																						
L1	L2	L3																						
HP	S.F.	IP	Encl																					
Frame	P.F.	Code	Type																					
Voltage	230/460	Hz	Ins Cl	Rating	°C Amb Cont																			
Amps	RPM	Design	Date																					
Nom.Eff.	FL	% 3/4	% 230/460V	10:1 CT	20:1 VT	PWM	VFD	1.0SF																
<table border="1"> <tr><td>Class I DIV. 2 Groups A B C D</td><td>Amb.40°C</td><td>T3C(160°C)</td></tr> <tr><td>Class I Zone 2 IIC</td><td>Amb.55°C</td><td>T3A(180°C)</td></tr> </table>				Class I DIV. 2 Groups A B C D	Amb.40°C	T3C(160°C)	Class I Zone 2 IIC	Amb.55°C	T3A(180°C)	DE Brng ODE Brng Grease type: LGHP 2 (compatible with polyrex)														
Class I DIV. 2 Groups A B C D	Amb.40°C	T3C(160°C)																						
Class I Zone 2 IIC	Amb.55°C	T3A(180°C)																						
50Hz		HP	V	A	rpm	S.F1.0																		

Model	PEWWE25-18-284TC									
HP	25	S.F.	1.25	IP	IP55	Encl	TEFC			
Frame	284TC	P.F.	0.85	Code	G	Type				
Voltage	230/460 V	Hz	60 Hz	Ins Cl	F	Ambient	40°C			
Amps	58.8/29.4	RPM	1770	Design	B	DE Brng	6311 C3			
Nom.Eff.	FL	93.6%	3/4	93.9%	ODE Brng		6309 C3			
Class 1 Division 2 Groups A,B,C,D					T3C(160°C)		Grease type: SKF LGHP 2			
50Hz		25 HP	200/400 V	69.5/34.7 A	1465 rpm					